

产品手册

# 全系列国产低压配电柜 柜体附件

FULL SERIES DOMESTIC SWITCHGEAR AND PARTS

全系列国产低压配电柜  
柜体附件



产品手册

- 不止于新, 智造精品
- 严谨、专注, 精益求精
- 提供从柜体到附件一站式服务

温州德源电气有限公司

WENZHOU DEYUAN ELECTRIC CO.,LTD.

# 核心价值观Core Value

## 使命 Mission

为全球高低压成套开关设备行业提供高品质的专用附件、元器件及服务  
Provide high-quality accessories, components and service for global high and low voltage switchgear industry

## 愿景 Vision

成为全球高低压成套开关设备行业附件领域领跑者  
To be the global leader in high and low voltage switchgear accessories industry

## 价值观 Values

诚信、敬业、创新、共赢  
Integrity Dedication, Innovation and Win-Win

# DIRECTORY

## 目录

### SLVA国网标准低压配电柜附件

State Grid Standard Low Voltage Switchgear Accessories

001-019

### 通用型低压配电柜附件(三代)

Universal Low Voltage Switchgear Accessories(3rd Generation)

020-053

### 通用型低压配电柜附件(二代)

Universal Low Voltage Switchgear Accessories(2nd Generation)

054-081

### SUPERSET 低压配电柜附件

Superset Low Voltage Switchgear Accessories

082-116

### 经济型低压配电柜通用附件

Economical Low Voltage Switchgear Accessories

117-179

### MNS2.0/3.0 低压配电柜附件

MNS2.0/3.0 Series Low Voltage Switchgear Accessories

180-235

# SLVA国网标准低压配电柜附件

STATE GRID STANDARD LOW VOLTAGE SWITCHGEAR ACCESSORIES

## SLVA国网标准低压配电柜附件

STATE GRID STANDARD LOW VOLTAGE SWITCHGEAR ACCESSORIES



SLVA国网标准低压配电柜方案为国家电网推出的低压开关柜标准化设计定制方案，该方案对低压开关柜的结构方案、一次接口、二次接口、土建接口、主要元器件进行了规范统一；其中对抽屉柜的抽屉单元、一、二次接插件、门锁、铰链、柜号牌等做了明确的规定。SLVA低压抽屉柜采用25模数C型材框架，模数化安装，标准化程度高；抽屉单元有8E、12E两种规格，8E抽屉单元额定电流最大250A，采用手拉式推进机构，12E抽屉单元额定电流最大400A，采用摇进式推进机构，所有一次插件镀银 $4\mu\text{m}$ 以上。

SLVA State Grid standard low-voltage distribution switchgear solution is a standardized design and customized solution for low-voltage switchgear launched by State Grid. This scheme standardizes and unifies the structural scheme, primary interface, secondary interface, civil interface and main components of the low-voltage switchgear. Also with clearly standard for the drawer unit, primary and secondary connectors, door locks, hinges, switchgear number plates, etc. SLVA low-voltage drawer switchgear adopts 25-module C-profile frame, modular installation, with high standardization. Two types of drawer unit 8E and 12E. The rated current of the 8E drawer unit is up to 250A in hand-pulled operating mechanism. 12E drawer unit is up to 400A in hand-cranked operating mechanism, all the primary connectors in silver plating above  $4\mu\text{m}$ .

通用型(三代)

通用型(二代)

SUPERSET

经济型通用件

MNS2.0/3.0

## 8E 抽屉

### 8E drawer

#### ■ 主要电气参数

额定工作电压:  
主回路400V/690V  
辅助回路220V/380V  
额定电流:250A  
额定绝缘电压:1000V

#### ■ Main electrical parameters

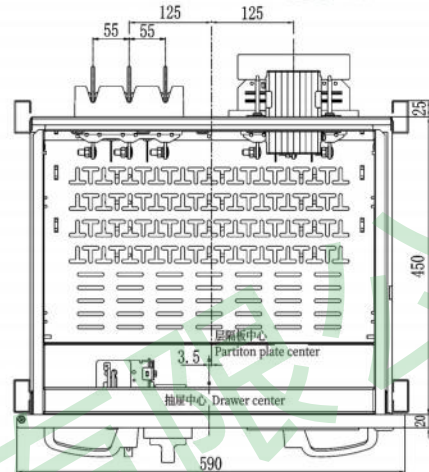
Rated working voltage:  
400V/690V for main circuit  
Auxiliary circuit 220V/380V  
Rated current:250A  
Rated insulation voltage:1000V

#### ■ 主要特点

- ① 该抽屉为手拉式推进抽屉,操作简便,锁定可靠;
- ② 抽屉具有分离、试验、连接三位置显示,分别可在试验和连接位置锁定抽屉;
- ③ 抽屉试验位置到连接位置行程24mm;
- ④ 抽屉门锁为防爆门锁;抽屉一次插件镀银4μm以上;

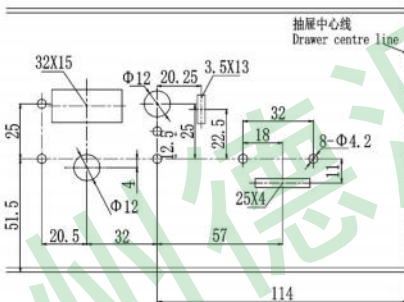
#### ■ Main Character:

- ① The drawer is in hand-pulled operating mechanism, which is easy to operate and reliable to lock;
- ② Three positions display: Separation, Test and Connection, and the drawer can be locked at the Test and Connection positions respectively;
- ③ Travel distance from Test position to Connection position is 24mm;
- ④ The drawer door lock in explosion-proof;The primary connector plated in silver above 4μm;

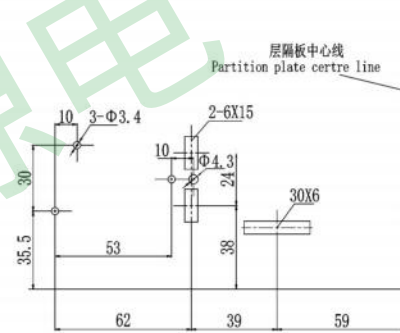


## 安装尺寸图

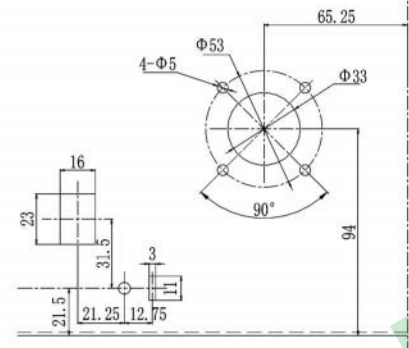
### Installation dimension drawing



机构安装板开孔尺寸图  
Mechanism mounting hole size



层隔开孔尺寸图  
Drawer partition plate hole drawing



抽屉面板开孔尺寸图  
Drawer panel opening drawing

## 8E 抽屉附件

### 8E Drawer Accessories

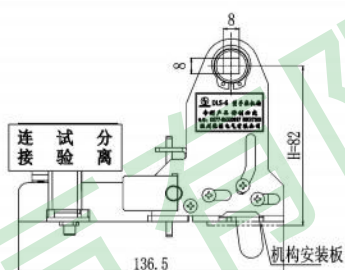
#### ■ 功能特点

- ① 机构具有分离、试验、连接三位置显示,分别可在试验和连接位置锁定抽屉;
- ② 机构试验位置到连接位置行程 24mm;
- ③ 手柄孔高度到抽屉底板高度 82mm (含底板料厚);
- ④ 机构在试验位置标配一开一闭微动开关,如需连接位置配置微动开关,请在订单中注明;
- ⑤ 如需机构对应钣金图,请联系我司技术部

## ——SLVA国网标准低压配电柜附件



DLS6.1C手拉机构H=82(常规)  
DLS6.1C Hand pull mechanism  
H=82(Common design)



DLS6.11008 定位座  
Position plate

DLS6.11012 三位置定位座  
Three position positioning seat



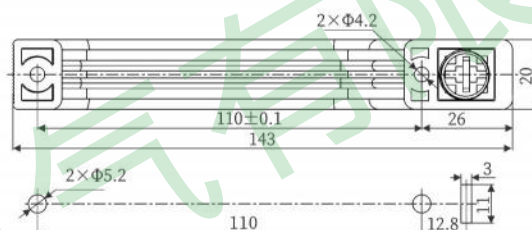
DJG-8.11012 限位导轨  
Limit Guide Rail

**Main Character**

- ① The mechanism has three positions display of Separation, Test and Connection, which can lock the drawer at the test and connection positions respectively;
- ② Travel distance from Test to Connection position is 24mm;
- ③ The height of the handle hole to the height of the drawer bottom plate is 82mm (Including bottom plate thickness );
- ④ The mechanism is equipped with 1 ON-1 OFF micro switch at the test position. If micro switch needed at the connection position, please indicate when ordering;
- ⑤ Please contact us if sheet metal drawing needed.

### DJG-7.71 左拉手部件

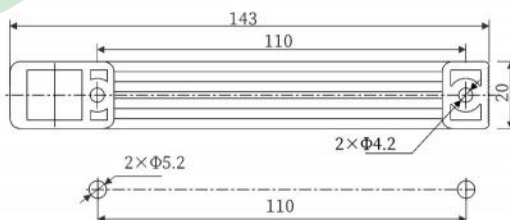
DJG-7.71 Left hand parts



钣金开孔尺寸(适配ST4.8\*12自攻螺丝)  
Sheet metal opening size (for ST4.8\*12 tapping screws)

### DJG-7.70004 右拉手

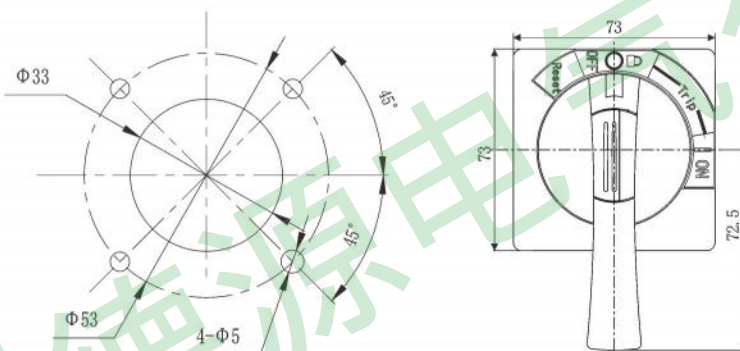
DJG-7.70004 Right handle



钣金开孔尺寸(适配ST4.8\*12自攻螺丝)  
Sheet metal opening size (for ST4.8\*12 tapping screws)

### DSB5-003 分合闸手柄

DSB5-003 Open and close handle



## 抽屉一次接插件

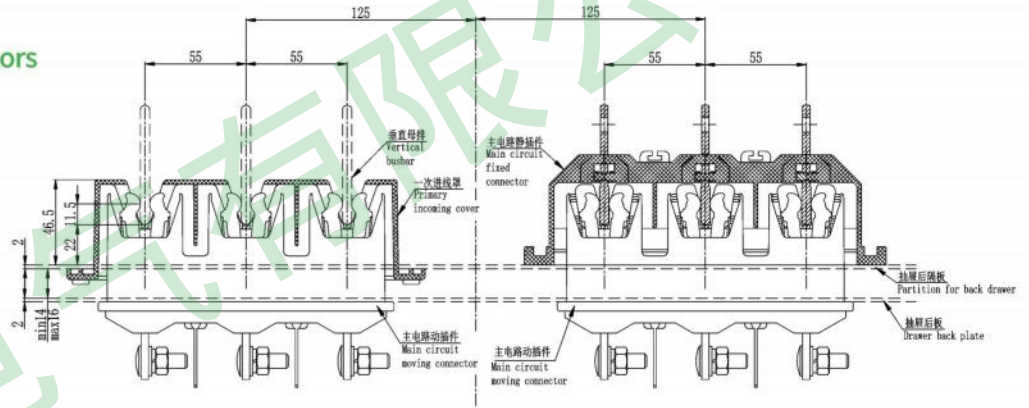
### Drawer Primary Connectors

#### ■ 技术参数

额定电压: AC690V  
 额定电流: 250A  
 额定绝缘电压: 1000V  
 工频耐受电压: 3500V  
 相间距: 55mm  
 垂直母线厚度: 6mm  
 触头片镀银4微米以上

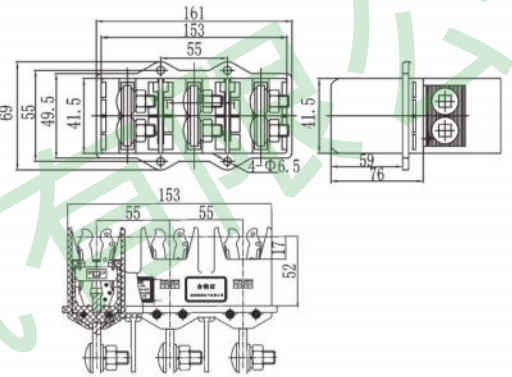
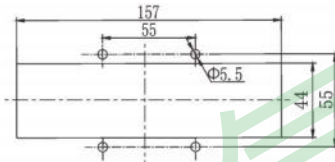
#### Technical parameters

Rated voltage: AC690V; Rated current: 250A; Rated insulation voltage: 1000V; Power frequency tolerance voltage: 3500V;  
 Phase spacing: 55 mm; Vertical bus thickness: 6mm; Contact piece silver plated over 4 microns



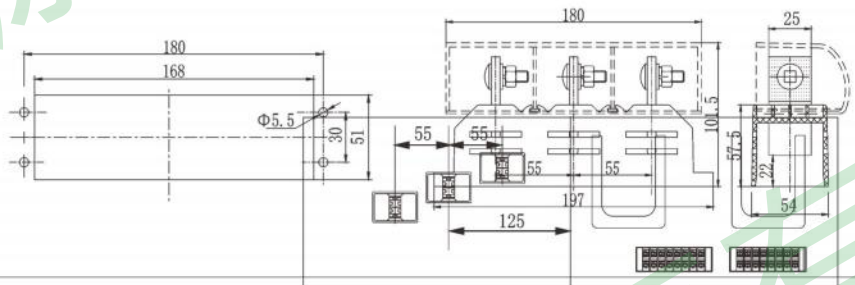
## 250A主电路动插件 DCT6C-B-3-250A(国网)

### 250A main circuit moving connectors(State Grid)



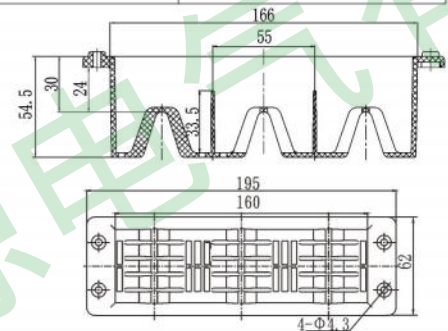
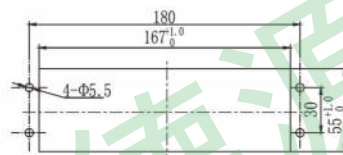
## 250A主电路静插件 DCZ6-B-3-250A

### 250A Main Circuit Fixed Connectors



## 250A 一次进线罩 DJXZ6-B-3-250A

### 250A Primary Incoming Cover



## 12E 抽屉

### 12E drawer

#### ■ 主要电气参数

额定工作电压:  
主回路400V/690V  
辅助回路220V/380V  
额定电流:400A  
额定绝缘电压:1000V

#### Main electrical parameters

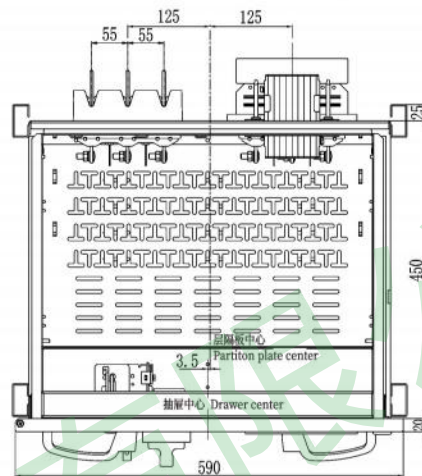
Rated working voltage:  
400V/690V for main circuit  
Auxiliary circuit 220V/380V  
Rated current:400A  
Rated insulation voltage:1000V

#### ■ 主要特点

- ①该抽屉为摇进式抽屉，摇进摇出省力，操作简便；
- ②抽屉具有分离、试验、连接三位置显示，分别可在试验和连接位置锁定抽屉；
- ③抽屉试验位置到连接位置行程24mm；
- ④抽屉门锁为防爆门锁；
- ⑤抽屉一次插件镀银 $4\mu\text{m}$ 以上。

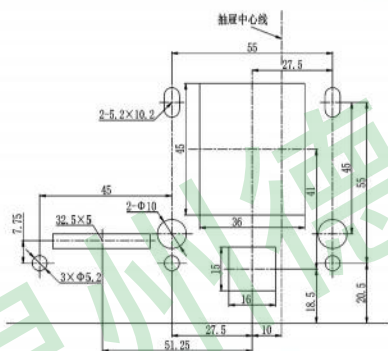
#### The main features

- ① The drawer is a shaking drawer, shaking in and out of labor saving, easy to operate;
- ② The drawer has three positions of separation, test and connection display, which can be locked in the test and connection positions respectively;
- ③ the drawer test position to the connection position stroke 24mm;
- ④ Drawer door lock for explosion-proof door lock;
- ⑤ The drawer is plated with silver more than  $4\mu\text{m}$  at a time.

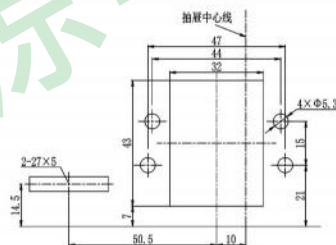


## 安装尺寸图

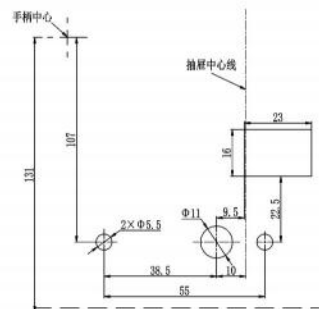
### Installation dimension drawing



机构安装板开孔尺寸图  
Mechanism mounting hole size



层隔开孔尺寸图  
Drawer partition plate hole drawing



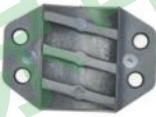
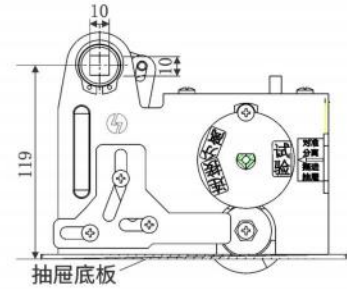
抽屉面板开孔尺寸图  
Drawer panel opening drawing

## 12E 抽屉附件

### 12E drawer attachment

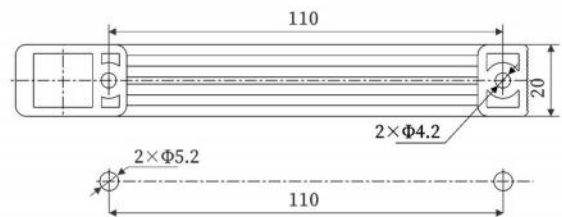
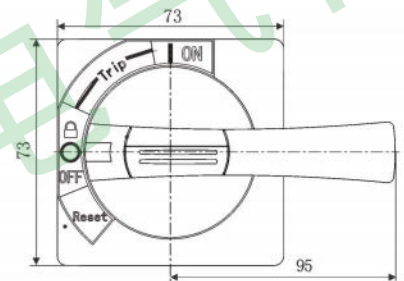
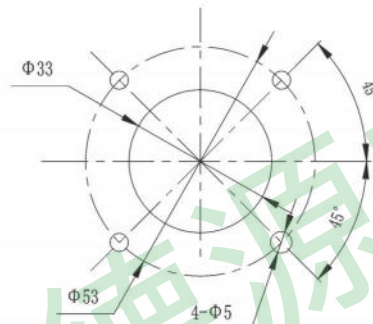
#### 功能特点

- ①机构具有分离、试验、连接三位置显示，分别可在试验和连接位置锁定抽屉；
- ②机构试验位置到连接位置行程24mm；
- ③手柄孔高度到抽屉底板高度119mm(含底板料厚)；
- ④机构在试验位置标配一开一闭微动开关，如需连接位置配置微动开关，请在订单中注明；
- ⑤如需机构对应钣金图，请联系我司技术部。

12E 抽屉附件  
12E drawer attachmentDJG-7.3-1 手摇机构H=119  
DJG-7.3-1 Hand-cranked  
mechanism H=119DJG-7.11011 双头螺套  
DJG-7.11011 Double end screwsleeveDSJG-8.114 机构面板  
DSJG-8.114 Body panelsDJG-8.11012 限位导轨  
DJG8.11012 Limit Guide RailDJG-8.16 摇把  
DJG-8.16 Crank Handle

## Functional features

- ① The mechanism has three positions of separation, test and connection display, which can lock the drawer in the test and connection positions respectively;
- ② the mechanism test position to the connection position stroke 24mm;
- ③ the height of the handle hole to the drawer bottom plate height 82mm(including the bottom plate thickness);
- ④ The mechanism is standard equipped with an open and a closed micro switch at the test position. If the connection position is required to be configured with a micro switch, please indicate in the order;
- ⑤ If you need the corresponding sheet metal drawing, please contact our technical department.

DJG-7.70004 右拉手  
DJG-7.70004 Right Handle钣金开孔尺寸(适配ST4.8\*12自攻螺丝)  
Sheet metal opening size (for ST4.8\*12 tapping screws)DSB5-006 分合闸手柄  
DSB5-006 Open and close handle

## ——SLVA国网标准低压配电柜附件

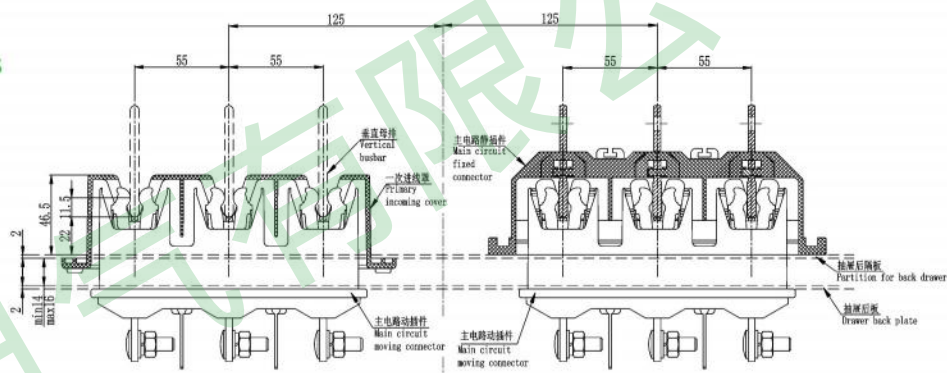
### 抽屉一次接插件 Drawer Primary Connectors

#### ■ 技术参数

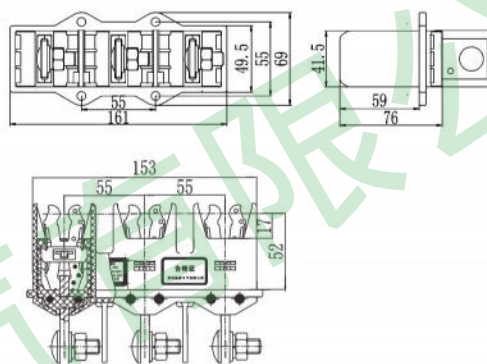
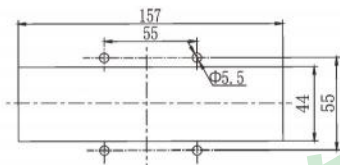
额定电压: AC690V  
 额定电流: 400A  
 额定绝缘电压: 1000V  
 工频耐受电压: 3500V  
 相间距: 55mm  
 垂直母线厚度: 6mm  
 触头片镀银4微米以上

#### Technical parameters

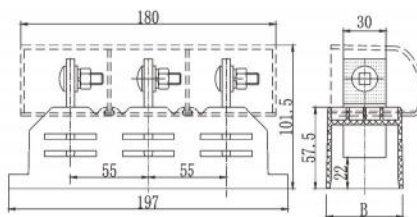
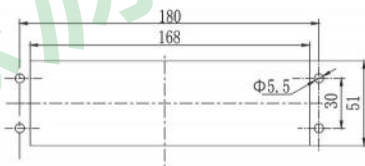
Rated voltage: AC690V; Rated current: 400A; Rated insulation voltage: 1000V; Power frequency tolerance voltage: 3500V  
 Phase spacing: 55 mm; Vertical bus thickness: 6mm; Contact piece silver plated over 4 microns



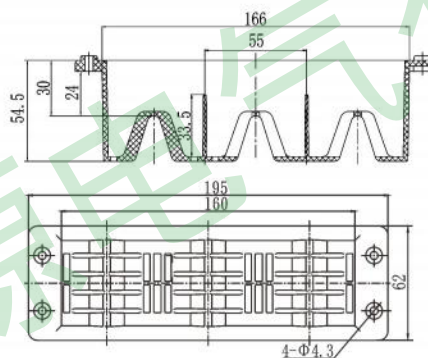
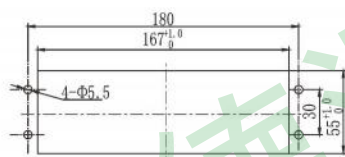
### 400A 主电路动插件 DCT6C-B-3-400A(国网) 400A main circuit moving connectors(State Grid)



### 400A 主电路静插件 DCZ6-B-3-400A 400A Main Circuit Fixed Connectors



### 一次进线罩 DJXZ6-B-3-400A Primary Incoming Cover



### 抽屉左右导轨

Drawer left and right guide rails



名称 name	型号 model	L
左右导轨 Drawer left and right guide rails	DTC-1.134	369
	DTC-1.134-1	429
	DTC-1.134-5	469

### 开启式仪表框 DCT-2.313

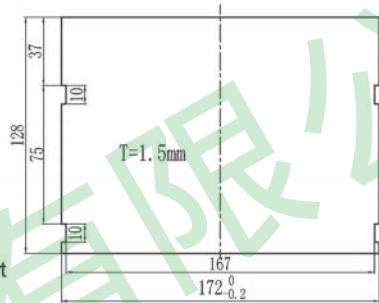
Open type instrument frame DCT-2.313



DCT-2.313 开启式仪表板  
DCT-2.313 Open Type Instrumental Panel



DCT-2.31305 测控板支架  
Measurement and control board support

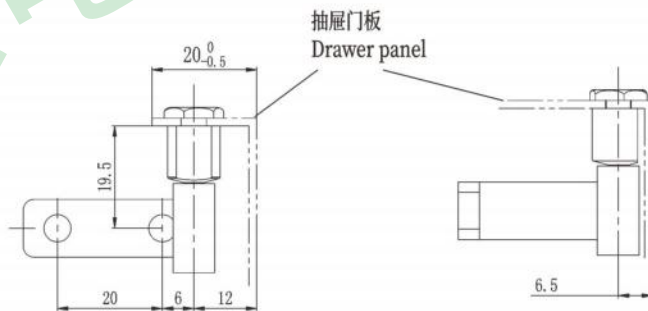


适用于H=200mm以上抽屉，仪表板为冷轧钢板，由用户开孔后喷漆。  
Used for drawer H=200mm above, instrument panel in cold rolled steel plate, sprayed by the user after opening hole

客户自制钢板图 Steel plate drawing

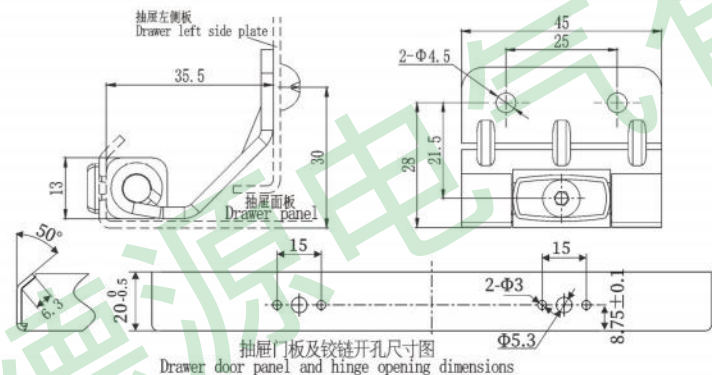
### 抽屉暗铰链 DJL3-4

Drawer Concealed hinge DJL3-4



### 抽屉暗铰链 DLC2.115

Drawer Concealed hinge DLC2.115

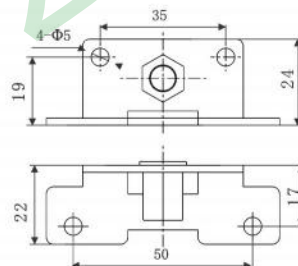


抽屉门板及铰链开孔尺寸图  
Drawer door panel and hinge opening dimensions

## —SLVA国网标准低压配电柜附件

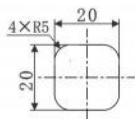
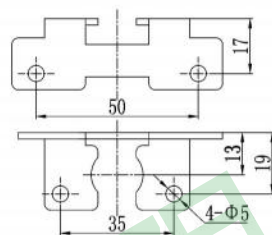
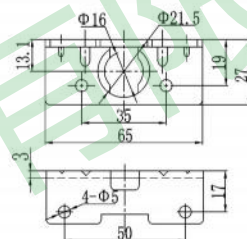
## 抽屉防爆门锁 (国网专用)

Drawer explosion-proof door lock (Special for State Grid)

DMS3.34 解锁门锁  
DMS3.34 Unlock door lockDMS3.341 门锁支架  
DMS3.341 Door lock bracket

## 抽屉普通门锁

Drawer common door lock

DMS3.31 解锁门锁  
DMS3.31 Unlocking lock门锁开孔  
The door openingDMS3.31004 门锁支架  
DMS3.31004 Lock bracketDMS3.33001 大门锁支架  
DMS3.33001 Door lock bracket

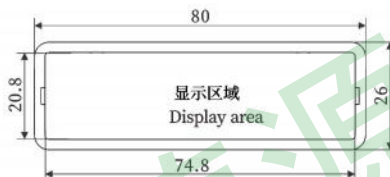
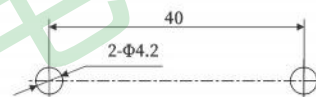
## 侧板附件

Side panel in attachment

轴承 Φ28  
Bearing Φ28DTC-1.13108HD轴  
DTC-1.13108HD AxleDLC2.11004 侧板螺丝M5  
side plate sctew M5

## 标签框 DLT1.21

Label box DLT1.21

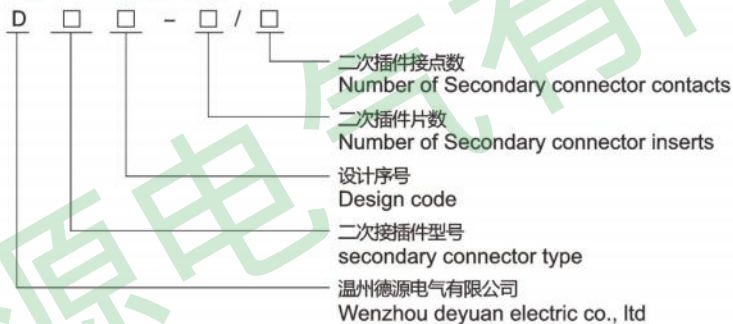
DLT1.21 标签框  
Label box标签框外形示意图  
Outline of the label frame钣金开孔图  
Sheet metal opening diagram

## 二次接插件

### Secondary Connector

#### ■ 型号及含义

##### Type And Meaning



#### ■ 主要电气参数

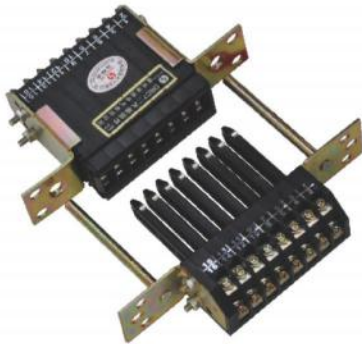
##### Main Technical Data

交流220V(380V), 直流110V.

额定电流10A

AC220V(380V), DC110V

Rated current 10A



#### 特点

- ① 抽屉处于试验位置时二次可接通
- ② 二次插头带有导向针, 接插可靠

#### The characteristics of

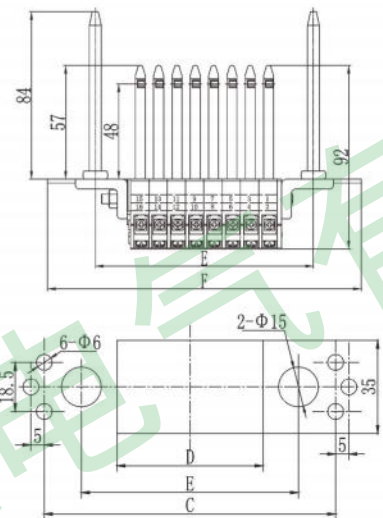
- ① The drawer can be connected twice when it is in the test position;
- ② The second plug with guide pin, reliable insertion

名称 name	型号 model
DRC7型二次接插件	DRC7-5/10
DRC7 type secondary connector	DRC7-5/10
DRC7型二次接插件	DRC7-6/12
DRC7 type secondary connector	DRC7-6/12
DRC7型二次接插件	DRC7-8/16
DRC7 type secondary connector	DRC7-8/16
DRC7型二次接插件	DRC7-10/20
DRC7 type secondary connector	DRC7-10/20
DRC7型二次接插件	DRC7-12/24
DRC7 type secondary connector	DRC7-12/24
DRC7型二次接插件	DRC7-15/30
DRC7 type secondary connector	DRC7-15/30
DRC7型二次接插件	DRC7-16/32
DRC7 type secondary connector	DRC7-16/32

## DRC7 插头外形及安装尺寸列表

### List of DRC7 plug shapes and mounting dimensions

型号 model	C	D	E	F
DRC7(T)-5/10	110.3	55.4	82.1	130.1
DRC7(T)-6/12	119.5	64.6	91.3	139.3
DRC7(T)-8/16	137.7	83	109.7	157.7
DRC7(T)-10/20	156.1	101.4	128.1	176.1
DRC7(T)-12/24	174.5	119.8	146.5	194.5
DRC7(T)-15/30	202.1	147.4	174.1	222.1
DRC7(T)-16/32	211.3	156.6	183.3	231.3

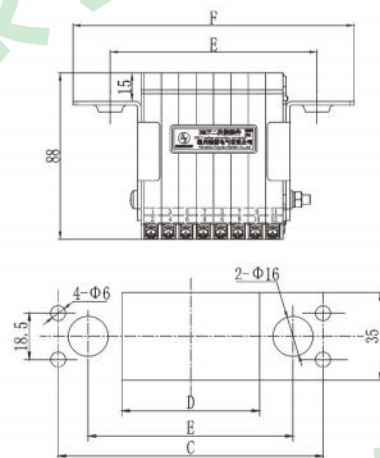


DRC7插头外形及安装尺寸图  
DRC7 secondary plug outline and assemble dimension

### DRC7 插座外形及安装尺寸列表

#### DRC7 socket outline and installation size list

型号 model	C	D	E	F
DRC7(Z)-5/10	104	55.4	82	121.3
DRC7(Z)-6/12	113.2	64.6	91.2	130.5
DRC7(Z)-8/16	131.6	83	109.6	148.9
DRC7(Z)-10/20	150	101.4	128	167.3
DRC7(Z)-12/24	168.4	119.8	146.4	185.7
DRC7(Z)-15/30	196	147.4	174	213.3
DRC7(Z)-16/32	205.2	156.6	183.2	222.5



DRC7插座外形及安装尺寸图  
DRC7secondary socket outline and assemble dimension

### DRC9 直插式二次插件 (后出)

#### DRC9 in-line secondary plug-in (Rear Wiring)



#### 产品优点

- ①与现有螺钉接线方式相比，本方案具有接线快速，效率高的优点；
- ②DRC9插件可带试验接点，订货时需注明；
- ③DRC9插件将插头与插座的配合间隙调整到1mm，降低抽屉与柜体配合精度的要求，二次插件安装采用M5自攻螺丝，安装方便快捷；
- ④二次动插件从抽屉外部紧固，拆卸方便，便于维修更换；
- ⑤抽屉处于试验位置时二次可接通。

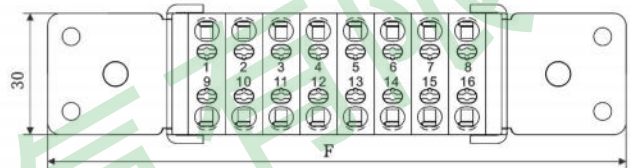
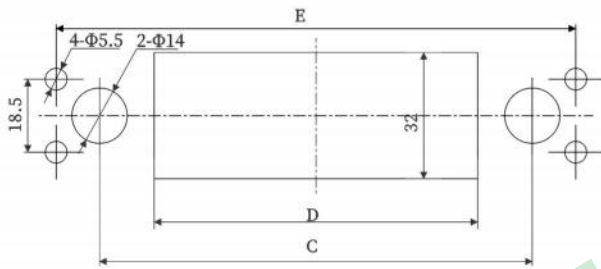
#### Product advantages

① Compared with the existing screw connection mode, this scheme has the advantages of fast connection and high efficiency; ② DRC9 plug-in can take test contact, when ordering to specify; ③ DRC9 plug-in can adjust the gap between plug and socket to 1mm, reduce the precision of the drawer and cabinet, the second plug-in installation using M5 self-tapping screw, easy to install; ④ The secondary moving plug-in is fastened from the outside of the drawer, easy to disassemble, easy to repair and replace; ⑤ When the drawer is in the test position, it can be connected twice.

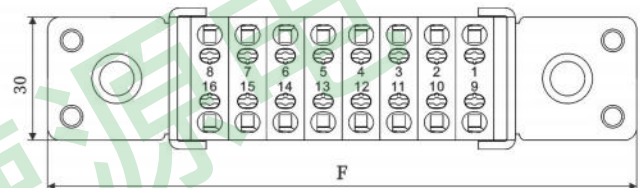
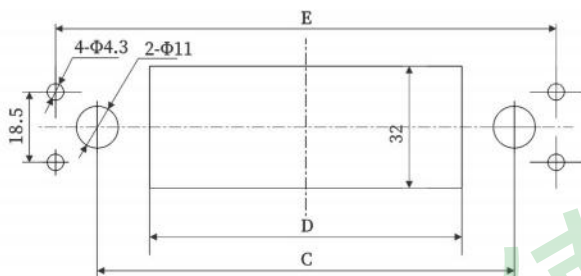
名称 name	型号 model	型号(带实验) model number (with test)	
DRC9型二次接插件	DRC9 type secondary connector	DRC9-5/10	DRC9-5/10S
DRC9型二次接插件	DRC9 type secondary connector	DRC9-6/12	DRC9-6/12S
DRC9型二次接插件	DRC9 type secondary connector	DRC9-8/16	DRC9-8/16S
DRC9型二次接插件	DRC9 type secondary connector	DRC9-10/20	DRC9-10/20S
DRC9型二次接插件	DRC9 type secondary connector	DRC9-12/24	DRC9-12/24S
DRC9型二次接插件	DRC9 type secondary connector	DRC9-16/32	DRC9-16/32S

**DRC9 插头外形及安装尺寸列表**
**DRC9 Secondary Plug Outline And Assemble Dimension**


型号 model	C	D	E	F
DRC9(T)-5/10	82	54.5	104	115.6
DRC9(T)-6/12	91.2	63.5	113.2	124.8
DRC9(T)-8/16	109.6	82	131.6	143.2
DRC9(T)-10/20	128	100.4	150	161.6
DRC9(T)-12/24	146.4	118.8	168.4	180
DRC9(T)-16/32	183.2	155.6	205.2	216.8

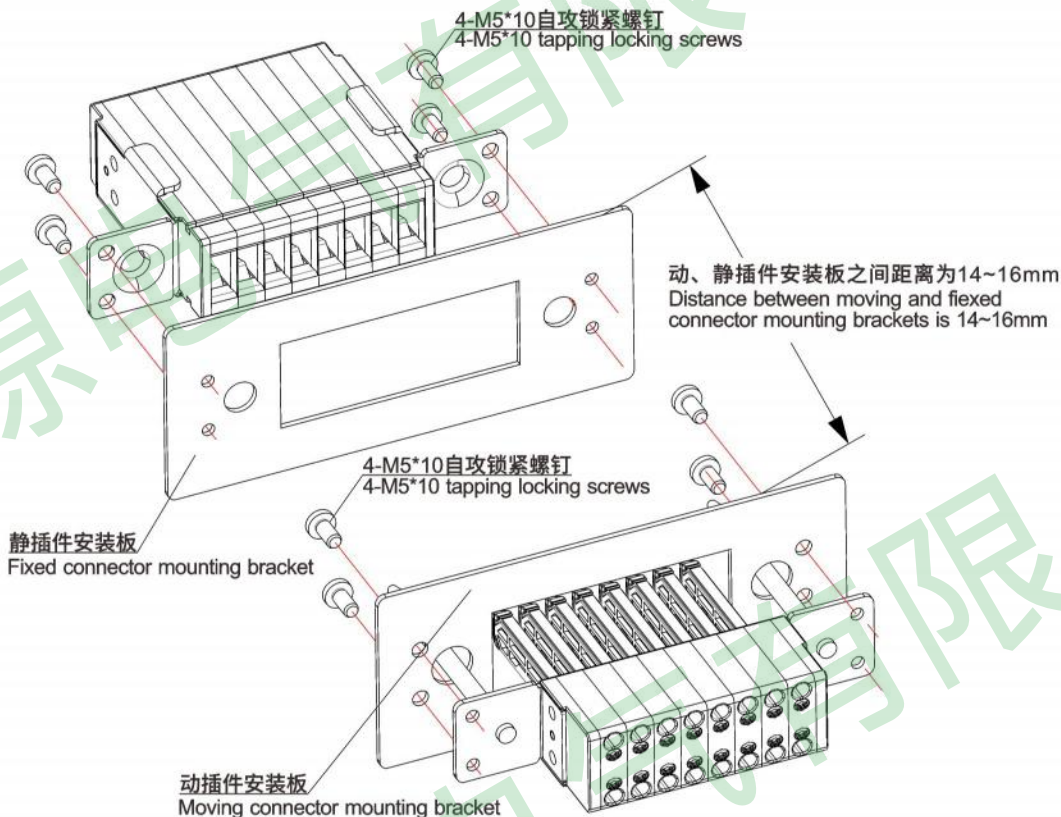

**DRC9 插座外形及安装尺寸列表**
**DRC9 Secondary Socket Outline And Assemble Dimension**


型号 model	C	D	E	F
DRC9(Z)-5/10	82	54.4	104	115.6
DRC9(Z)-6/12	91.2	63.6	113.2	124.8
DRC9(Z)-8/16	109.6	82	131.6	143.2
DRC9(Z)-10/20	128	100.4	150	161.6
DRC9(Z)-12/24	146.4	118.8	168.4	180
DRC9(Z)-16/32	183.2	155.6	205.2	216.8



### DRC9 直插式二次插件安装示意

#### DRC9 Direct Plug-in Secondary Connector Dimensions



### DRC9直插式二次插件接线示意

#### DRC9 Direct Plug-in Secondary Connector Dimensions

①根据管型预绝缘端子规格长度将导线一端绝缘层剥去

Strip off the insulation layer of one end of the wire according to the specification length of the tubular pre-insulated terminal

②将管型预绝缘端子与导线压接牢固

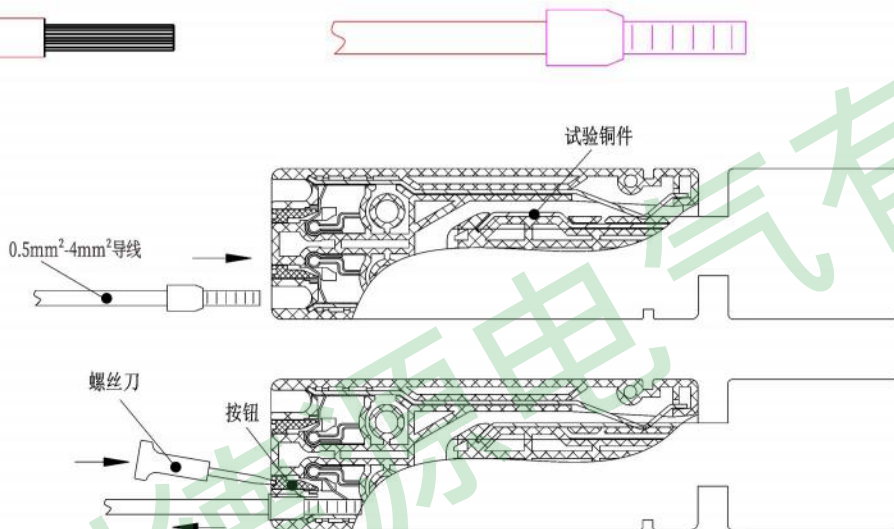
Crimp the pre-conductor of the tubular pre-insulated terminal firmly

导线安装:

导线铆接预绝缘铜管后按下方示意直接插入到底即可试验铜件

Wire installation:

After the wire is riveted to the pre-insulated copper tube, the copper part can be tested by inserting the bracket as indicated below.



导线拔出:

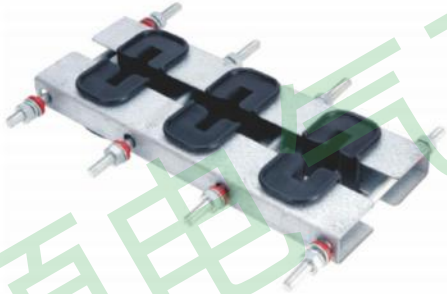
用螺丝刀向下按压按钮到底, 导线即可拔出

Wire pull out:

Press the button down with a screwdriver to the end, and the wire can be pulled out

## 组合式护套母排夹（国网专用）

Combined busbar clamp with sheath (special for State Grid)



### 产品优点

- ① 1×8、1×10、1×12单排护套支架通用，2×10、2×12双排护套支架通用，3×10、3×12三排护套支架通用，便于钣金标准化生产；
- ② 护套采用高性能绝缘材料，强度高，阻燃性能达到最高等级；
- ③ 组合式护套母排夹为组装式结构，可根据需求组合成多种规格；
- ④ 单排母线夹可承受额定短时耐受电流：50kA；双排母线夹可承受额定短时耐受电流：65kA；三排母线夹可承受额定短时耐受电流：100kA。

### Product advantages

- ① 1×8, 1×10, 1×12 single row sheath support universal, 2×10, 2×12 double row sheath support universal, 3×10, 3×12 three row sheath support universal, easy to sheet metal standardized production;
- ② The sheath is made of high-performance insulating material, high strength, flame retardant performance reaches the highest grade;
- ③ The combined busbar clamp is a assembled structure, which can be combined into a variety of specifications according to the needs;
- ④ Single row bus clamp can withstand rated short-term tolerance current: 50kA; Double row bus clamp can withstand rated short-term tolerance current: 65kA; Three rows of bus clamps can withstand rated short-term tolerance current: 100kA.

## 组合式护套规格型号

Combined jacket specifications and models



护套Sheath(1X8)  
750 008



护套Sheath(1X10)  
750 019



护套Sheath(1X12)  
750 020



护套Sheath(2X10)  
750 017



护套Sheath(2X12)  
750 014



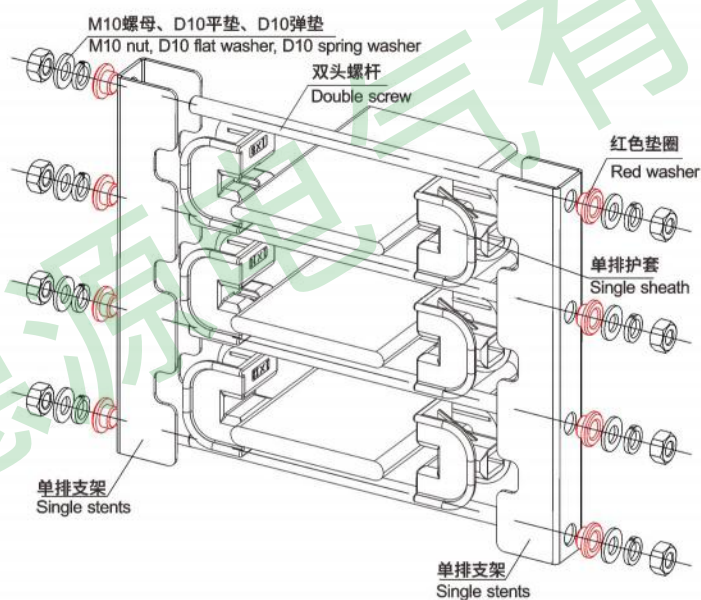
护套Sheath(3X10)  
750 085



护套Sheath(3X12)  
750 015

## 单排护套安装示意

## Installation of a single row sheath



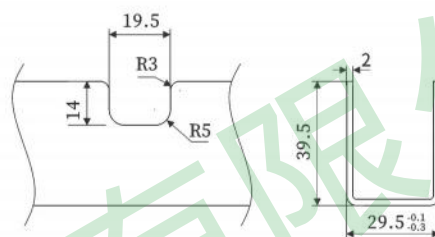
## 说明

单排护套适配铜母线最小宽度30mm，  
相间距最小70mm

## Note:

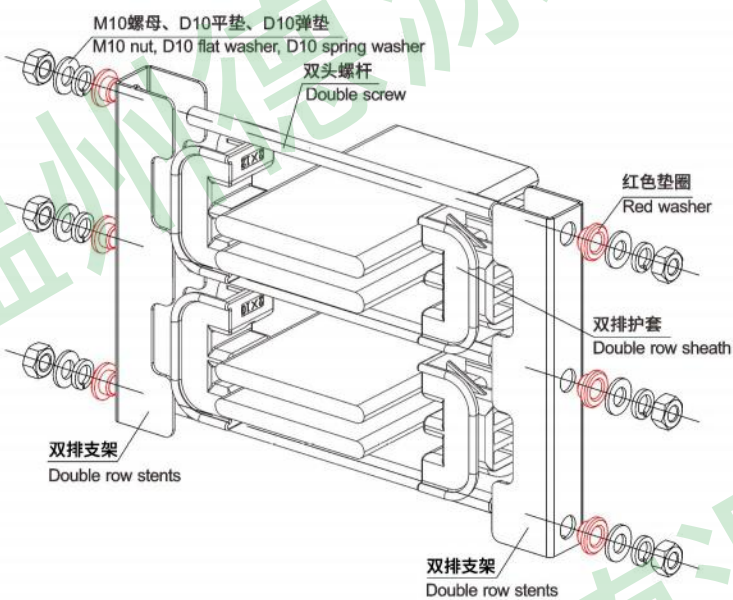
The minimum width of single line sheath is 30mm for copper busbar, and the minimum pole distance 70mm

## 单排支架开孔尺寸



## 双排护套安装示意

## Installation of double rows of jackets



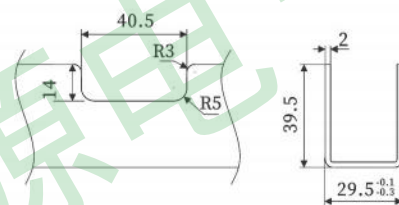
## 说明

双排护套适配铜母线最小宽度30mm，  
相间距最小85mm

## Note:

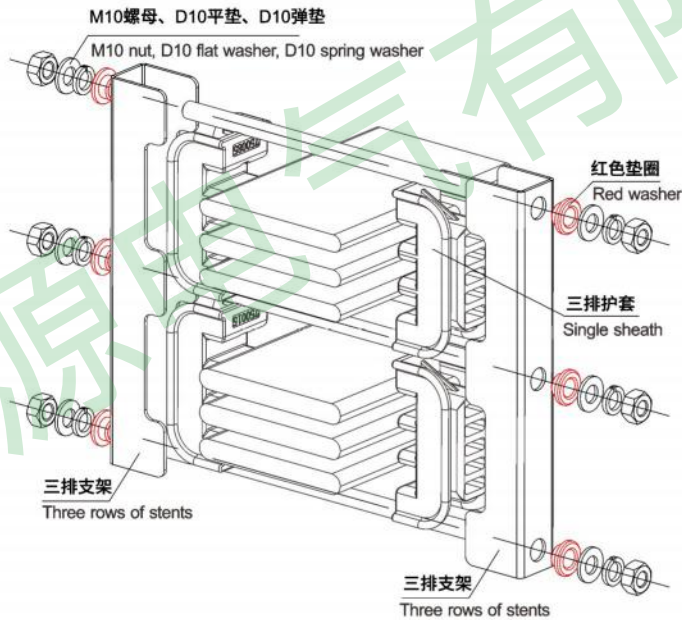
The minimum width of double row sheath for copper bus is 30mm, The minimum phase spacing is 85mm

## 双排支架开孔尺寸



### 三排护套安装示意

Installation of three rows of jackets



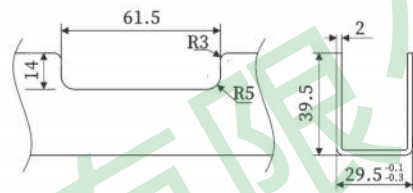
#### 说明

三排护套适配铜母线最小宽度30mm，  
相间距最小100mm

#### Note:

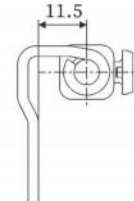
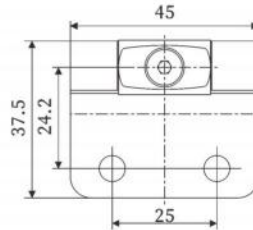
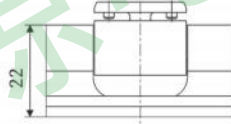
The minimum width of three rows of sheath for copper bus is 30mm, The minimum phase spacing is 100mm

#### 三排支架开孔尺寸



### 大门暗铰链 (前门) DLT1.131

Door dark hinge (front door) DLT1.131

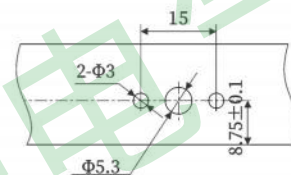
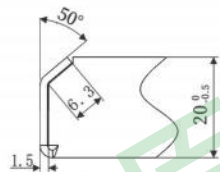


说明：开门角度大于100度，满足国网柜撞击和挂重要求

Note: The opening Angle is greater than 100 degrees, which meets the requirements of impact and hanging weight of State grid cabinet

### 大门暗铰链 (前门) DLT1.171

Door dark hinge (front door) DLT1.171



说明：开门角度大于100度，满足国网柜撞击和挂重要求；安装孔为腰孔可调节门缝

Note: The door opening angle is greater than 100 degrees, which meets the requirements of the impact and hanging weight of the state grid switchgear; The installation hole is at waist hole and the door seam can be adjusted

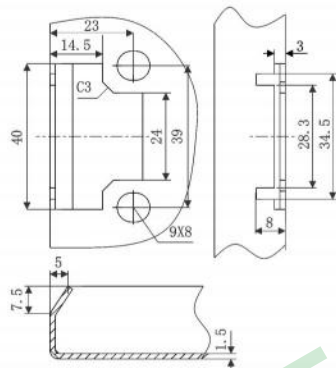
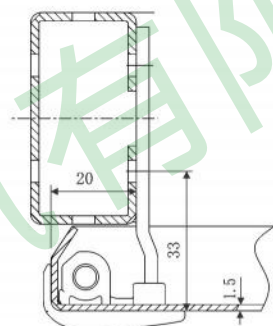
**大门明铰链 DJL3-9**

Doors with bright hinges DJL3-9

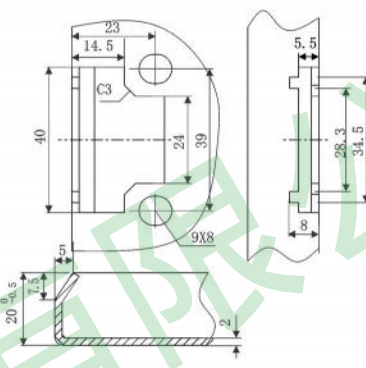
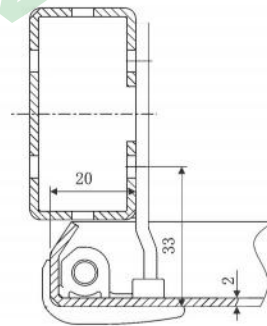


**说明:** 开门角度大于 120 度, 满足国网柜撞击和挂重要求; 安装孔为腰孔可调节门缝

**Note:** The door opening angle is greater than 120 degrees, which meets the requirements of the impact and hanging weight of the state grid switchgear; The installation hole is at waist hole and the door seam can be adjusted.



1.5mm厚门板开孔尺寸  
1.5mm thick door panel opening size



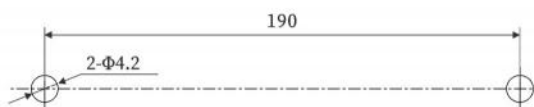
2mm厚门板开孔尺寸  
2mm thick door panel opening size

**标签框 (国网柜) DLT1.23001**

Label frame (State Grid cabinet) DLT1.23001



DLT1.23001 标签框  
DLT1.23001 Label frame



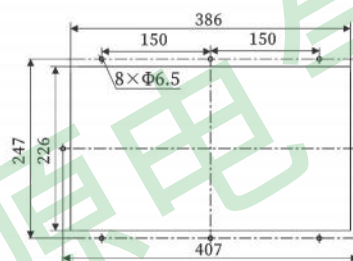
标签框开孔尺寸  
Label box opening size

**柜顶通风罩 DLT1.16**

Cabinet top hood DLT1.16



DLT1.16柜顶通风罩  
DLT1.16 ventilation shield



柜顶通风罩开孔图  
Opening diagram of cabinet top ventilation hood

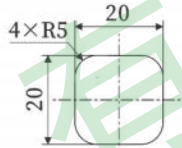
大门防爆门锁 (国网专用)

Explosion-proof door lock (for State Grid)

通用型(三代)



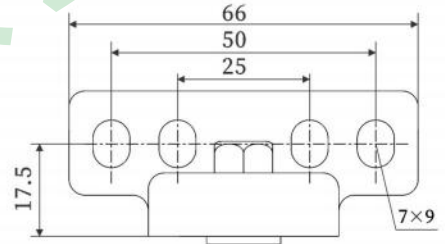
DMS3.34 解锁门锁  
DMS3.34 Unlock door lock



门锁开孔  
The door opening



DMS3.342 大门锁支架  
DMS3.342 Door lock bracket



大门门锁支架尺寸  
Door lock bracket size

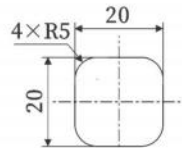
通用型(二代)

大门门锁

The door lock



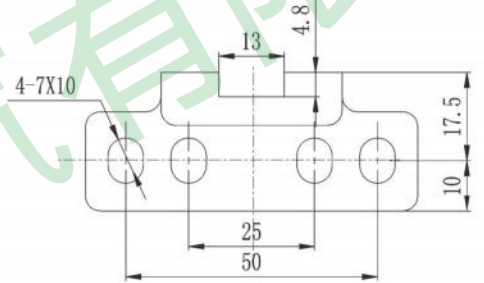
DMS3.31 解锁门锁  
DMS3.31 Unlock door lock



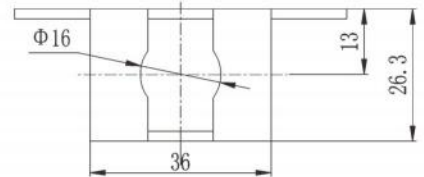
门锁开孔  
The door opening



DMS3.32001 大门门锁支架  
DMS3.32001 Door lock bracket



大门门锁支架尺寸  
Door lock bracket size



SUPERSET

经济型通用件

连接件  
Fittings



GLBK 400 006P1 撑角 (撑板)  
Brace Angle (brace plate)  
DTL-1.10048



GLBK 400 007P1 带定位角板  
with positioning Angle plate  
DTL-1.10052



DLT1.11001 连接支架  
Connecting bracket



GLBK 400 004P2 五孔压板  
Five-hole platen  
DTL-1.10047

# 通用型低压配电柜附件（三代）

UNIVERSAL LOW VOLTAGE SWITCHGEAR ACCESSORIES(3RD GENERATION)

## 通用型低压配电柜附件 (三代)

## Universal Low Voltage Switchgear Accessories(3rd Generation)



通用型低压配电柜 (三代) 是在通用型低压配电柜 (二代) 的基础上改进而来, 盘面整体采用方正的概念, 对抽屉拉手操作机构显示面板进行了优化组合, 对抽出式功能单元钣金进行了优化, 使整柜制造成本更低, 具有较高的性价比。该柜型具有以下优点:

- 1.该柜型框架采用行业主流的25模数C型材拼接, 无须专用工具即可组装成各种形式柜体。机柜水平母线为顶置, 可根据电流大小, 分断能力要求灵活配置母线支撑件数量及位置。母线室上方配有可拆卸式顶盖, 方便施工现场母线的安装;
- 2.该柜型采用明、暗两种新结构铰链, 可根据需求选用, 且柜体铰链与门板采用螺丝紧固, 免焊接;
- 3.抽出式功能单元规格全, 满足不同模数高度的抽屉需求, 具8E/4、6E/2、8E/2、6E、8E、12E、16E、24E等不同规格的抽屉;
- 4.该柜型抽出式功能单元除了具有常规功能外, 还可增加通讯插件以实现通讯功能;
- 5.新型直插式二次插件的使用, 使用户接线效率大大提高, 降低生产成本。

The low-voltage switchgear(3rd generation) is improved on the basis of the 2nd low-voltage switchgear (2nd generation). The sheet metal of the functional unit has been optimized, which makes the manufacturing cost of the whole switchgear lower and has a higher cost performance. With the following advantages:

1. The frame is spliced with the 25-modules C profiles, and can be assembled into various forms of switchgear without special tools required. The horizontal busbar of the switchgear is top-mounted, and the number and position of busbar supports can be flexibly configured according to the current size and breaking capacity requirements. The top of the busbar room is equipped with a removable top cover, which is convenient for the installation of the busbar at the construction site;
2. Switchgear in concealed hinges or regular hinges to be selected according to requirements, hinge and door panel are fastened with screws, free of welding;
3. Draw-out functional unit has a full range of specifications to meet different module heights, with drawers of different specifications such as 8E/4, 6E/2, 8E/2, 6E, 8E, 12E, 16E, 24E, etc;
4. Except the withdrawable functions, we can also add the communication plug-ins to realize communication;
5. New type of plug-in secondary connectors, which highly improve the wiring efficiency and reduces production costs.

## ——通用型低压配电柜附件(三代)



## 8E/4抽屉

### 8E/4 drawer

#### ■ 主要电气参数

额定工作电压：  
主回路400V/690V  
辅助回路220V/380V(110V直流)  
额定电流：63A  
额定绝缘电压：690V

#### ■ Main electrical parameters

Rated working voltage:  
The primary loop 400V/690V  
Auxiliary circuit 220V/380V(110V DC)  
Rated current: 63A  
Rated insulation voltage: 690V

#### ■ 主要特点

- ①该抽屉为手拉式推进抽屉，操作简便；
- ②抽屉具有分离、试验、连接三位置显示，分别可在试验和连接位置锁定抽屉；
- ③抽屉试验位置到连接位置行程24mm；
- ④抽屉侧板为可拆卸式侧板，方便抽屉内电器元件安装及电缆连接；⑤抽屉二次线数为16线；⑥抽屉深度450深。

#### The main features

- ①Hand-pulled operating mechanism drawer, which is easy to operate;
- ②The drawer has three positions of separation, test and connection display, which can be locked in the test and connection positions respectively;③the drawer test position to the connection position stroke 24mm;④Detachable side panel, which more easy for the installation of electrical components and cable connection in the drawer⑤Secondary wires: 16Wires;⑥Drawer depth: 450MM.

## DL1 手拉机构

### DL1 hand pull mechanism



#### 主要特点

- ①该机构为手拉式推进机构，操作简便，锁定可靠；
- ②机构具有分离、试验、连接三位置显示，分别可在试验和连接位置锁定抽屉；如有需要也可在分离位置锁定抽屉（此功能需在订单中备注）；
- ③试验位置到连接位置行程24mm。

#### Main Character

- ①Hand-pulled mechanism, which is easy to operate and reliable to lock;
- ②The mechanism has three positions display: Separation, Test and Connection, which can lock the drawer at the test and connection positions respectively;The drawer can also be locked in the Separation position if required (Needs to remark when ordering)
- ③Travel distance from Test position to Connection position is 24mm.

#### Display Location Description

**Separation position:** This position drawer can be pushed and pulled out;

**Test position:** this position the secondary loop is connected, the primary loop is disconnected, the drawer is locked;

**Connection position:** This position, the primary and secondary circuits are connected, the drawer is locked, the main switch can be closed

#### 显示位置说明

**分离位置：**此位置抽屉可以推进和拉出；

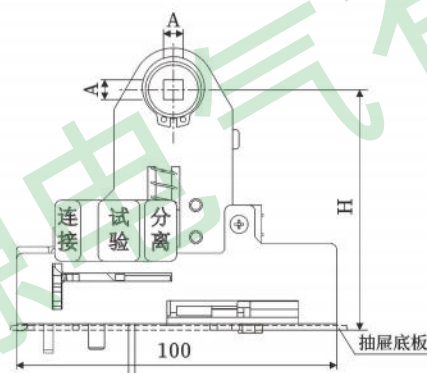
**试验位置：**此位置二次回路接通，一次回路断开，抽屉被锁定；

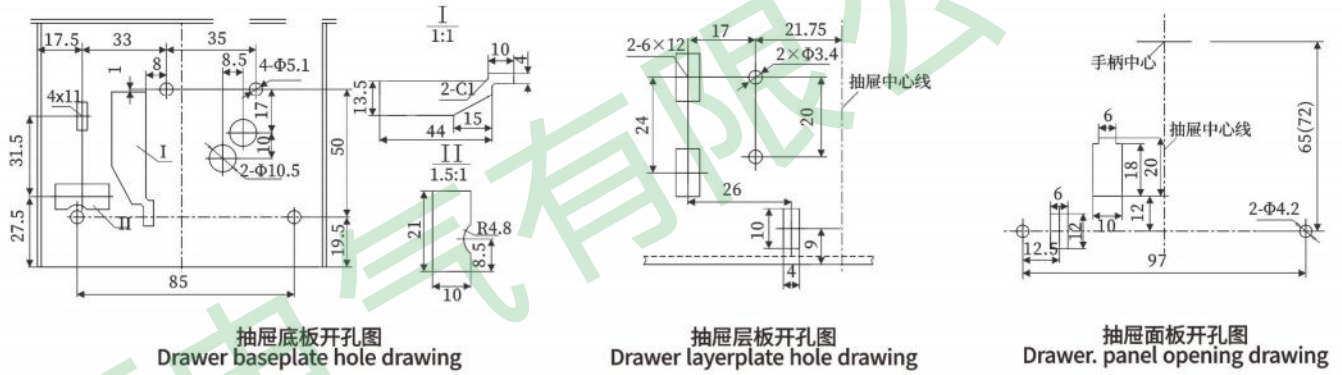
**连接位置：**此位置一次、二次回路均接通，抽屉被锁定，主开关可以合闸

## 机构选型表

### Mechanism selection table

试验位置带1组微动开关型号 There was 1 group of test locationsMicro switch	电操型号 Electric operating model	A	H
DLJ1.5T	DLJ1.5D	6.2	75
DLJ1.5T-1		8.2	
DLJ1.6T		6.2	82
DLJ1.6T-1		8.2	



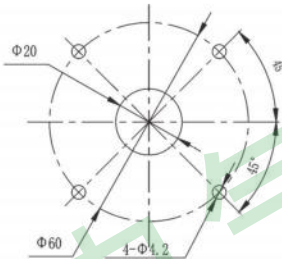


**机构订货说明:** 订货时按照表中规格选型; 如需在连接位置带 1 组微动开关请在订单中注明; 机构对应抽屉钣金图纸请联系我司技术部  
**Ordering instructions:** Select the type according to the specifications in the table when ordering; If 1 group of micro switch is required at the connection position, please indicate in the order; Please contact our technical department for the sheet metal drawing of the drawer corresponding to the organization.

**1/4 抽屉通用附件**  
 General accessories for 1/4 drawer



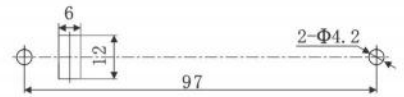
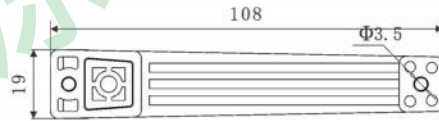
DSB5 开关小手柄  
 DSB5 switch small handle



名称 The name of the	型号 model
6*6开关小手柄 6*6 Switch small handle	DSB5-001
8*8开关小手柄 8*8 Switch small handle	DSB5-002



DLJ1.17 8E-4 拉手组件  
 DLJ1.17 8E-4 handle assembly



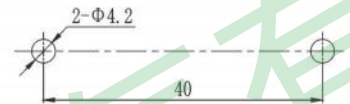
钣金开孔尺寸(适配ST3.9\*12自攻螺丝)  
 Sheet metal opening size  
 (for ST3.9\*12 tapping screws)



DLC1.11208 塑料侧板  
 Plastic side panel



DLT1.22 小号标签框  
 Small label frame



标签框钣金开孔尺寸  
 Dimensions of sheet metal holes  
 in the label frame



HANL 200 002P1  
 前档Front plate



DLC1.11210 450深侧板导轨-铝  
 Deep Sidepanel guide - Aluminum



DLC1.11209 450深下导轨  
 depth guide rail

## ——通用型低压配电柜附件(三代)

**DXFZ-5 型8E/4薄型电路分配转接器**

DXFZ-5 model 8E/4 thin circuit distribution adapter

## ■ 主要电气参数

额定电压: 主回路690V;辅助回路 AC220V/DC110V

额定绝缘电压: 690V

工频耐受电压: 2500V/min

额定电流: 主回路进线250A(分路出线至63A);辅助回路10A

## Main electrical parameters

Rated voltage: main loop 690V; Auxiliary circuit AC220V/DC110V

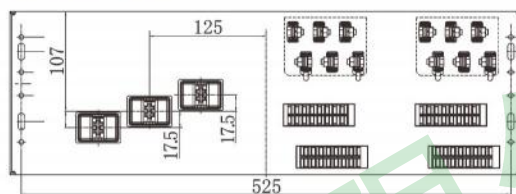
Rated insulation voltage: 690V

Power frequency tolerance voltage: 2500V/min

Rated current: main loop inlet 250A(branch outlet to 63A); Auxiliary loop 10A

**DXFZ-5 型8E/4三极63A 后出线薄型电路分配转接器**

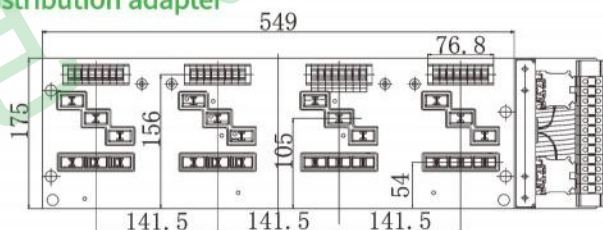
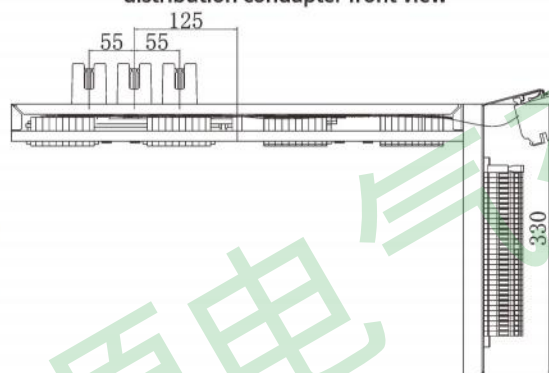
DXFZ-5 model 8E/4 tripole 63A rear outlet thin circuit distribution adapter

DXFZ-5型8E/4三极后出线薄型电路分配转接器背面示意图  
B相中心距柜体中心125mm

DXFZ-5 8E/4 3Poles back outgoing thin-type circuit distribution condapter Back view Drawer central distance 125MM

**DXFZ-5 型8E/4三极63A 侧出线薄型电路分配转接器**

DXFZ-5 model 8E/4 tripole 63A side outlet thin circuit distribution adapter

DXFZ-5型8E/4旁出线薄型电路分配转接器正面示意图  
DXFZ-5 8E/4 3Poles side outgoing thin-type circuit distribution condapter front viewDXFZ-5型8E/4旁出线薄型电路分配转接器俯视图  
B相中心距柜体中心125mm  
DXFZ-5 8E/4 3Poles side outgoing thin-type circuit distribution condapter Back view Phase B central distance 125MM

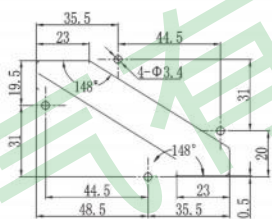
型号 Model No.	外形尺寸 Outline size	备注 note
DXFZ-5S.1/16	175×549×45	取消导向销 Cancel guide pin
DXFZ-5S.2/16		
DXFZ-5S.3/16		

## 8E/4 进出线插头

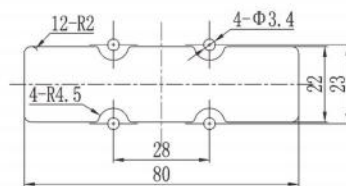
8E/4 inlet and outlet plugs



进线插头(8E/4)  
DXTC-1.371(63A)

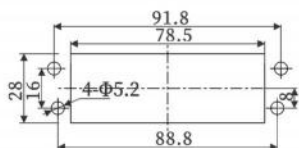


出线插头(8E/4)  
DXTC-1.372(63A)



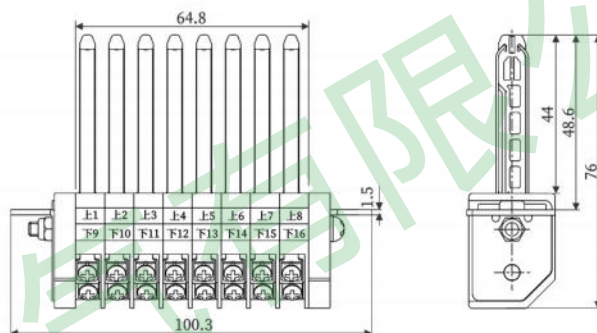
## DJCF3 二次插头 DJCF3.31/8 (长) : 试验位置和连接位置均可接通

DJCF3 secondary plug DJCF3.31/8 (long) : The test position and connection position can be connected



插头钣金开孔示意图

Schematic diagram of sheet metal opening of plug



插头外形尺寸示意图

Schematic diagram of external dimensions of plug

## 8E/2 抽屉

8E/2 drawer

### 主要电气参数

额定工作电压:  
主回路400V/690V  
辅助回路: 220V/380V(110V直流);  
额定电流: 125A;  
额定绝缘电压: 1000V;

### Main electrical parameters

Rated working voltage:  
The primary loop 400V / 690V  
Auxiliary circuit: 220V/380V(110V DC);  
Rated current: 125A;  
Rated insulation voltage: 1000V;

### 主要特点

- ① 抽屉有手拉式或手摇式推进可选, 操作简便;
- ② 抽屉具有分离、试验、连接三位置显示, 分别可在试验和连接位置锁定抽屉; 抽屉试验位置到连接位置行程24mm;
- ③ 抽屉二次常规16线, 最大可至32线;
- ④ 抽屉深度450深, 有150高和200高之分;

### Main Character

- ① Drawer with hand pull or hand push optional, easy to operate;
- ② The drawer has three positions of separation, test and connection display, which can be locked in the test and connection positions respectively;
- ③ The drawer test position to the connection position stroke 24mm; Drawer two conventional 16 lines, up to 32 lines;
- ④ Drawer depth 450 deep, 150 high and 200 high points;



## ——通用型低压配电柜附件(三代)

**DLS5型手拉机构 (适用于1/2单元手拉抽屉)**

DLS5 Hand pull mechanism (for 1/2 unit hand pull drawer)

DLS5手拉机构  
DL S5 Hand pull mechanismDLS5.11011定位板  
DL S5.11011 Position plate**功能特点**

- ① 该机构为手拉式推进机构，操作简单，锁定可靠
- ② 具有分离、试验、连接三位置显示，分别可在试验和连接位置锁定抽屉；
- ③ 机构试验位置到连接位置行程24mm；
- ④ 手柄孔高度到抽屉底板高度 69/82mm（含底板料厚）；
- ⑤ 机构常规在试验位置标配一开一闭微动开关，如需连接位置配置微动开关，请在订单中注明；
- ⑥ 电操功能机构在试验、连接位置各配一个微动开关，机构型号为：DLS5.D；
- ⑦ 如需机构对应钣金图，请联系我司技术部

**Main Character**

- ① The mechanism is a hand-pulled propulsion mechanism, which is simple to operate and reliable to lock
- ② With separation, test, connection three position display, can be respectively in the test and connection position lock drawer;
- ③ The travel from the test position of the mechanism to the connection position is 24mm;
- ④ The height of the handle hole to the height of the bottom drawer 69/82mm (including the thickness

- of the bottom plate);
- ⑤ The mechanism is routinely equipped with an open and a closed micro switch at the test position. If the connection position is required to be equipped with a micro switch, please indicate in the order;
- ⑥ The electric operation function mechanism is equipped with a micro switch model in the test and connection position; DLS5.D
- ⑦ If you need the sheet metal drawing of the organization, please contact the technical department of our company

**显示位置说明**

**分离位置：**此位置抽屉可以推进和拉出

**试验位置：**此位置二次回路接通，一次回路断开，抽屉被锁定

**连接位置：**此位置一次、二次回路均接通，抽屉被锁定，主开关可以合闸

**Separation position:** This position drawer can be pushed and pulled out

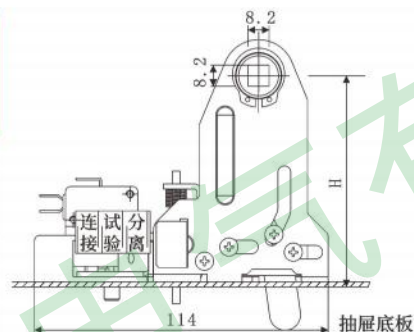
**Test position:** This position the secondary loop is connected, the primary loop is disconnected, the drawer is locked

**Connection position:** This position, the primary and secondary circuits are connected, the drawer is locked, the main switch can be closed

**机构选型表**

Mechanism selection table

型号 model	试验位置带1组 微动开关 There was 1 group of test locations Micro switch	电操型号 Electric operating model	H	备注 note
方轴 Square shaft	适配8*8方轴 Fit 8*8 square axis	DLS5.1C	82	用于200高1/2手拉抽屉 For 200 high 1/2 hand pull drawers
			69	用于150高1/2手拉抽屉 For 150 high 1/2 hand pull drawers
		DLS5.D		

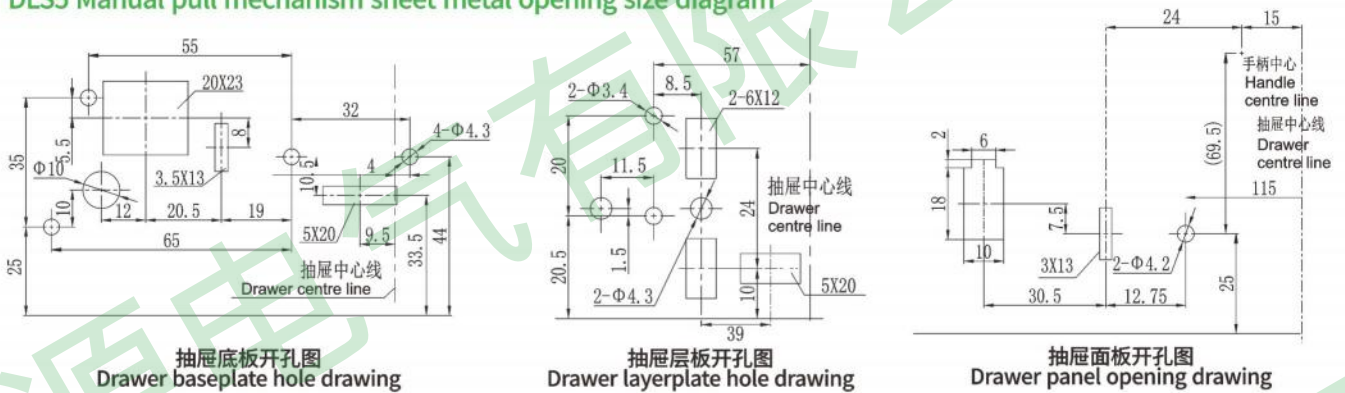


**机构订货说明：**订货时按照表中规格选型；如需在连接位置带1组微动开关请在订单中注明；机构对应抽屉钣金图纸请联系我司技术部

**Ordering instructions:** Select the type according to the specifications in the table when ordering; If 1 group of micro switch is required at the connection position, please indicate in the order; Please contact our technical department for the sheet metal drawing of the drawer corresponding to the organization.

### DLS5手拉机构钣金开孔尺寸图

#### DLS5 Manual pull mechanism sheet metal opening size diagram



### DJG-7型手摇机构 (适用于1/2单元手摇抽屉)

#### DJG-7 Hand mechanism (for 1/2 unit hand drawer)



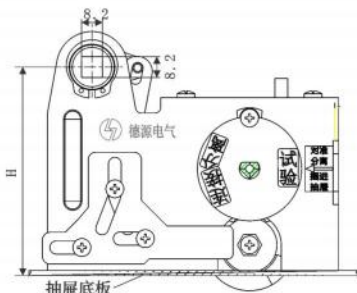
DJG-7 手摇机构  
DJG-7 hand mechanism

#### 功能特点

- ① 机构具有分离、试验、连接三位置显示，分别可在试验和连接位置锁定抽屉；
- ② 机构试验位置到连接位置行程24mm；
- ③ 手柄孔高度到抽屉底板高度69/82mm（含底板料厚）；
- ④ 机构在试验位置标配一开一闭微动开关，如需连接位置配置微动开关，请在订单中注明；
- ⑤ 电操功能机构在试验、连接位置各配一个微动开关型号；
- ⑥ 如需机构对应钣金图，请联系我司技术部

#### 显示位置说明

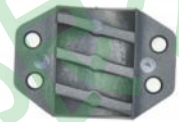
- 分离位置：**此位置抽屉可以摇进和拉出；  
**试验位置：**此位置二次回路接通，一次回路断开，抽屉被锁定；  
**连接位置：**此位置一次、二次回路均接通，抽屉被锁定，主开关可以合闸



DJG-7手摇机构外形尺寸图  
DJG-7 hand mechanism dimension diagram



DSJG-8.114机构面板  
Body panels



DJG-7.11011双头螺套  
Double end screwsleeve

#### Functional features

- ① The mechanism has three positions of separation, test and connection display, which can lock the drawer in the test and connection positions respectively;
- ② The travel from the test position of the mechanism to the connection position is 24mm;
- ③ The height of the handle hole to the height of the bottom drawer 69/82mm (including the thickness of the bottom plate);
- ④ The mechanism is standard equipped with an open and a closed micro switch at the test position. If the connection position is required to be equipped with a micro switch, please indicate in the order;
- ⑤ The electric operation function mechanism is equipped with a micro switch model in the test and connection position;
- ⑥ If you need the sheet metal drawing of the organization, please contact our technical department.

#### Display Location Description

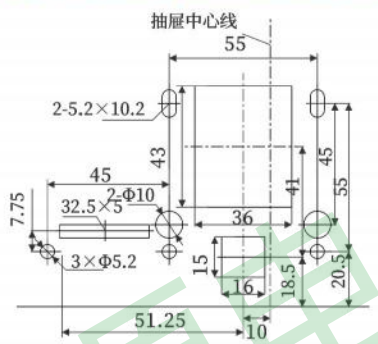
- Separation position:** This position drawer can be shaken in and out;  
**Test position:** this position the secondary loop is connected, the primary loop is disconnected, the drawer is locked;  
**Connection position:** This position, the primary and secondary circuits are connected, the drawer is locked, the main switch can be closed.

型号 model	试验位置带1组 微动开关 There was 1 group of test locations/Micro switch	H	备注 note
方轴 Square shaft	DJG-7.1C	82	用于200高1/2手摇抽屉 For 200 high 1/2 hand pull drawers
适配8*8方轴 Fit 8*8 square axis	DJG-7.2C	69	

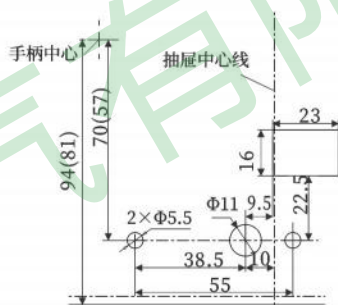
——通用型低压配电柜附件(三代)

**DJG-7 手拉机构钣金开孔尺寸图**

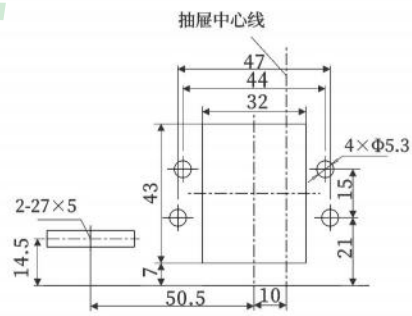
**DJG-7 Manual pull mechanism sheet metal opening size diagram**



抽屉底板开孔图  
Drawer baseplate hole drawing



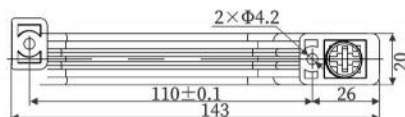
抽屉面板开孔图  
Drawer panel opening drawing



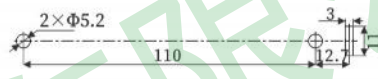
抽屉层板开孔图  
Drawer layerplate hole drawing



DJG-7.71左拉手部件  
Left Handle Part



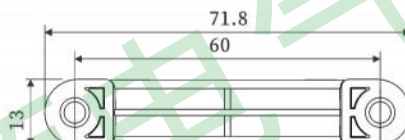
抽屉拉手外形示意图  
Outline of drawer handle



钣金开孔尺寸(适配ST4.8\*12自攻螺丝)  
Sheet metal opening size  
(for ST4.8\*12 tapping screws)



DXTC-3.10001 抽屉小拉手  
Drawer small handle



抽屉拉手外形示意图  
Outline of drawer handle



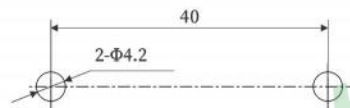
钣金开孔尺寸  
Sheet metal opening size



DLT1.22 小号标签框  
DLT1.22 Small label frame



标签框外形示意图  
Outline of the label frame



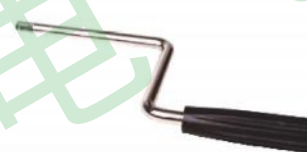
钣金开孔图  
Sheet metal opening diagram



DTC-1.11004 前档Front plate  
HANL 200 002P1



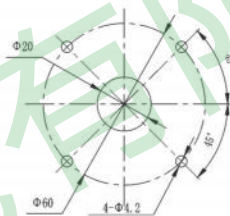
DLC1.11209 450深下导轨  
450MMdepth guide rail



DJG-8.16摇把  
Crank Handle

## DSB5系列开关小手柄

### DSB5 series switch small handle



手柄开孔示意图  
Schematic diagram of handle opening

名称 The name of the	型号 model
6*6开关小手柄 6*6 Switch small handle	DSB5-001
8*8开关小手柄 8*8 Switch small handle	DSB5-002

## 1/2抽屉用薄型电路分配转接器

### 1/2 drawer with thin circuit distribution adapter

#### 主要电气参数

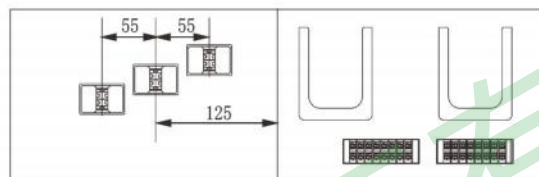
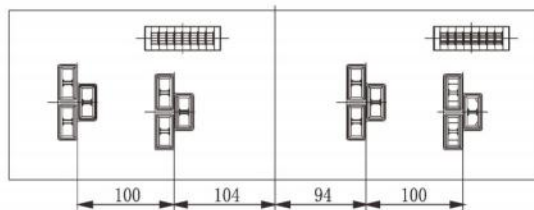
1. 额定电压: 主回路690V;辅助回路: AC220V/DC110V
2. 额定绝缘电压: 1000V
3. 工频耐受电压: 2500V/min
4. 额定电流: 主回路不大于125A;辅助回路10A
5. 二次线数量(单抽屉): 16、24、32线

#### Main electrical parameters

1. Rated voltage: main loop 690V;Auxiliary circuit: AC220V/DC110V
2. Rated insulation voltage: 1000V
3. Power frequency tolerance voltage: 2500V/min
4. Rated current: the main circuit is not more than 125A; Auxiliary loop 10A
5. Number of secondary lines (single drawer) : 16, 24, 32 lines

## DXFZ-8B型三极125A后出线薄型电路分配转接器

### DXFZ-8B three-pole 125A rear outlet thin circuit distribution adapter



产品型号 Model No. And specification	外形尺寸 Overall dimensions	备注 Note
DXFZ-8.1B/16	175X549X45	KB型材 开档550 KB Profile Open size 550
DXFZ-8.3B/16	175X539X45	KS型材 开档540 KS Profile Open size 540
DXFZ-8.4B/16	125X549X45	KB型材 150抽屉 KB Profile Open size 150
DXFZ-8.5B/16	135X539X45	KS型材 开档540 KS Profile Open size 540

#### 技术参数:

1. 额定工作电压 AC690V;
2. 额定绝缘电压 1000V;
3. 额定工作电流 不大于125A;
4. 工频耐受电压 2500V/Min;
5. 二次线数量(单抽) 16、24、32线

#### Technical parameters:

1. Rated working voltage AC690V
2. Rated insulation voltage 1000V
3. Rated working current Less than 125A;
4. Power frequency withstand voltage: 2500V/Min;
5. Number of secondary lines (single drawing) 16, 24, 32 wires

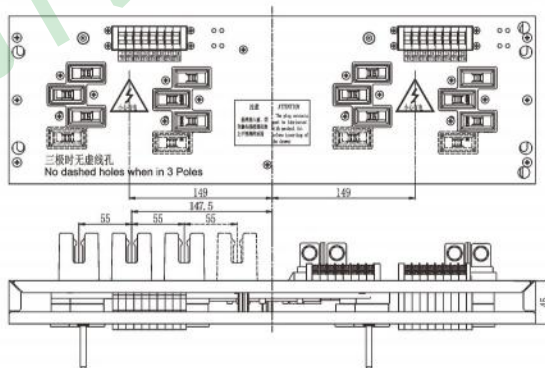
## ——通用型低压配电柜附件(三代)

## DXFZ-9四(三)极125A后出线薄型电路分配转接器

DXFZ-9 Series 3Poles 125A back wiring thin-type circuit distribution condapter



此规格产品三极四极同柜时母线不用非标折弯仍为垂直排  
When 3Poles and 4Poles are in one cubicle, busbar is still in vertical type, no need to customized bending



产品型号 Model No. And specification	相数 Poles	外形尺寸 Overall dimensions	备注 Note
DXFZ-9S.11/16	4极:4P	175X549X45	KB型材 开档550 KB Profile Open size 550
DXFZ-9S.13/16	4极:4P	175X539X45	KS型材 开档540 KS Profile Open size 540
DXFZ-9S.21/16	3极:3P	175X549X45	KS型材 开档550 KS Profile Open size 550
DXFZ-9S.23/16	3极:3P	175X539X45	KS型材 开档540 KS Profile Open size 540

## 技术参数:

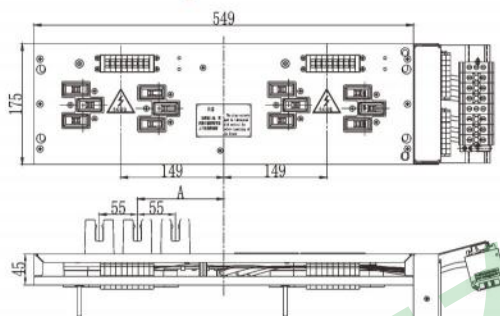
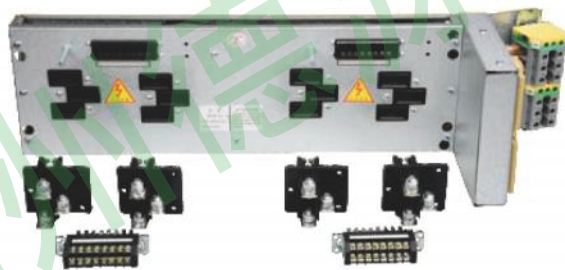
1. 额定工作电压 AC690V;
2. 额定绝缘电压 1000V;
3. 额定工作电流 不大于125A;
4. 工频耐受电压 2500V/Min;
5. 二次线数量(单抽) 16、24线

## Technical parameters:

1. Rated working voltage AC690V
2. Rated insulation voltage 1000V
3. Rated working current Less than 125A;
4. Power frequency withstand voltage: 2500V/Min;
5. Number of secondary lines (single drawing) 16, 24 wires

## DXFZ-8(9)型三(四)极125A旁出线薄型电路分配转接器

DXFZ-8(9) Series 3(4)Poles 125A side wiring thin-type circuit distribution condapter



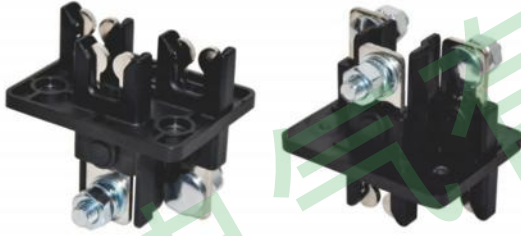
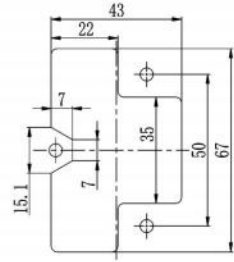
产品型号 Model No. And specification	相数 Poles	A	外形尺寸 Overall dimensions	备注 Note
DXFZ-8.21B/16	3极:3P	125	175X549X45	KB型材 开档550 KB Profile Open size 550
DXFZ-9S.31/16	4极:4P	147.5	175X549X45	KB型材 开档550 KB Profile Open size 550
DXFZ-9S.33/16	4极:4P	147.5	175X539X45	KS型材 开档540 KS Profile Open size 540
DXFZ-9S.41/16	3极:3P	147.5	175X549X45	KB型材 开档550 KB Profile Open size 550
DXFZ-9S.43/16	3极:3P	147.5	175X539X45	KS型材 开档540 KS Profile Open size 540

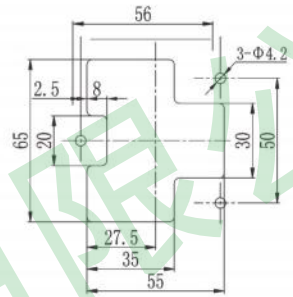
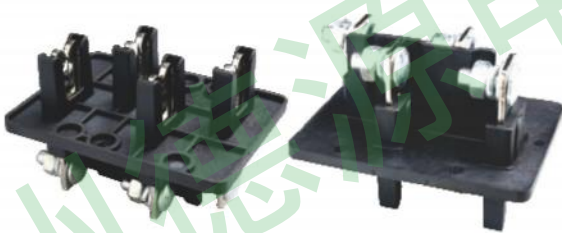
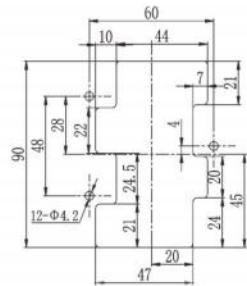
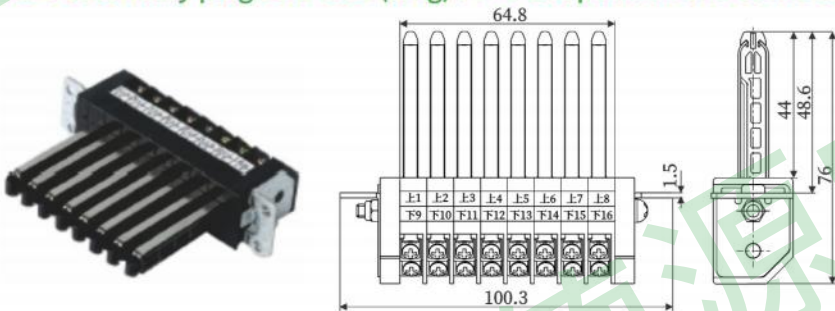
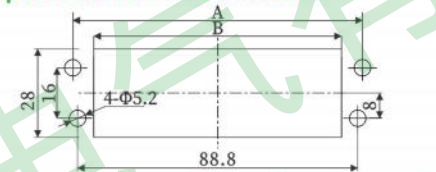
## 技术参数:

1. 额定工作电压 AC690V;
2. 额定绝缘电压 1000V;
3. 额定工作电流 不大于125A;
4. 工频耐受电压 2500V/Min;
5. 二次线数量(单抽) 16、24线

## Technical parameters:

1. Rated working voltage AC690V
2. Rated insulation voltage 1000V
3. Rated working current Less than 125A;
4. Power frequency withstand voltage: 2500V/Min;
5. Number of secondary lines (single drawing) 16, 24 wires

**三极125A一次插头(适配DXFZ-8B型转接器)**  
Triple pole 125A primary plug (for DXFZ-8B adaptor)

 DLC1.2221  
125A一次插头  
DLC1.2221  
125A Primary plug

**三极125A一次插头(适配DXFZ-9型三极转接器)**  
Triple pole 125A primary plug (for DXFZ-9 triple pole converter)

 DXTC-1.313(进、出线)  
3极125A一次插头  
3P 125A Primary plugs  
(Incoming, Outgoing)

**四极125A一次插头(适配DXFZ-9型四极转接器)**  
Triple pole 125A primary plug (for DXFZ-9 quadropole converter)

 DXTC-1.322(进、出线)  
4极125A一次插头  
4P 125A Primary plugs  
(Incoming, Outgoing)

**DJCF3二次插头 DJCF3.31(长): 试验位置和连接位置均可接通**  
DJCF3 secondary plug DJCF3.31 (long) : The test position and connection position can be connected

 插头外形尺寸示意图  
Schematic diagram of external dimensions of plug


名称 name	型号 model	A	B
DJCF3二次 接插件	DJCF3.31/8	91.8	78.5
	DJCF3.31/12	124.2	111
	DJCF3.31/16	156.6	143.4

## ——通用型低压配电柜附件(三代)

## 6E~24E 抽屉

## 6E~24E drawer

## ■ 主要电气参数

额定工作电压:主回路 400V/690V  
 辅助回路220V/380V(110V直流);  
 额定电流:6E~24E(最大630A);  
 额定绝缘电压:1000V;

## Main electrical parameters

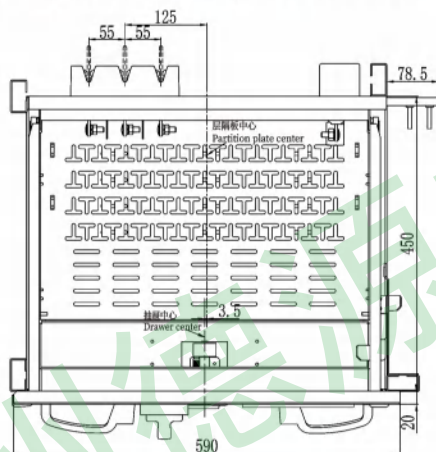
Rated operating voltage: 400V/690V for main loop  
 Auxiliary circuit 220V/380V(110V DC);  
 Rated current: 6E ~ 24E(Max. 630A);  
 Rated insulation voltage: 1000V;

## ■ 主要特点

1. 抽屉推进方式分为手拉式和手摇式;
2. 抽屉具有分离、试验、连接三位置显示;
3. 抽屉分离位置到试验位置,试验位置到连接位置行程均为24mm;
4. 抽屉二次可选10线、16线、24线,最大可至32线;
5. 抽屉深度450深;
6. 抽左右侧板采用双折边,解决了板材毛刺划伤装配人员,同时使抽屉与导轨配合更加顺滑;
7. 抽屉可通过增加通讯插件,实现试验位置和连接位置本地都数据互联网传输;
8. 抽屉钣金开孔图可与我司技术人员联系。

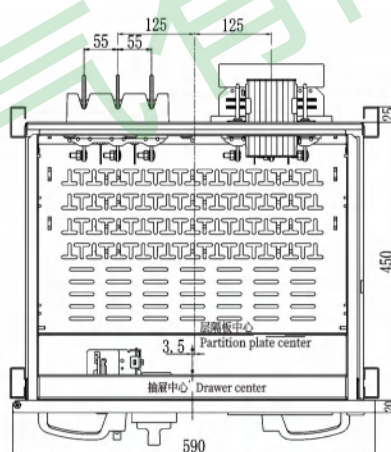
## Main Character

1. Drawer pushing mode is divided into hand pull type and hand roll type;2. Drawer with separation, test, connection three position display;3. The drawer separation position to the test position, the test position to the connection position travel is 24mm;4 drawer two optional 10 lines, 16 lines, 24 lines, up to 32 lines;5. Drawer depth 450;6. The left and right sides of the drawing plate are double folded, which solves the burr of the plate and scratches the assembly personnel, and makes the drawer more smooth with the guide rail;7 drawer can be increased by communication plug-in, to achieve the test location and connection location of local data Internet transmission;8. The drawer sheet metal opening drawing can be contacted by our technical staff.



侧出线抽屉示意图

Schematic drawing of side outlet drawer

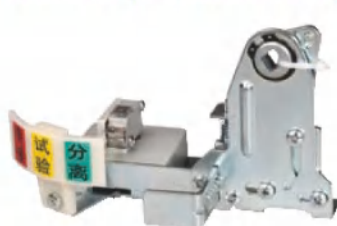


后出线抽屉示意图

Schematic drawing of the rear outlet drawer

## DLS6型手拉机构(适用于单元手拉抽屉)

## DLS6 Hand pull mechanism (suitable for unit hand pull drawer)

DLS6手拉机构  
DLS6 Hand pull mechanismDLS6.11008定位座  
Position plateDLS6.11012三位置定位座  
Three position positioning seat

**机构订货说明:** 订货时按照表中规格选型; 如需在连接位置带1组微动开关请在订单中注明; 机构对应抽屉钣金图纸请联系我司技术部

## Ordering instructions:

Select the type according to the specifications in the table when ordering; If 1 group of micro switch is required at the connection position, please indicate in the order; Please contact our technical department for the sheet metal drawing of the drawer corresponding to the organization.

### 功能特点

1. 该机构为手拉式推进机构, 操作简单, 锁定可靠;
2. 具有分离、试验、连接三位置显示, 分别可在试验和连接位置锁定抽屉;
3. 机构试验位置到连接位置行程24mm;
4. 手柄孔高度到抽屉底板高度69/82/119mm (含底板料厚);
5. 机构常规在试验位置标配一开一闭微动开关, 如需连接位置配置微动开关, 请在订单中注明;
6. 电操功能机构在试验、连接位置各配一个微动开关型号为:DLS6.D;
7. 如需机构对应钣金图, 请联系我司技术部。

### Main Character

1. The mechanism is a hand-pulled propulsion mechanism, which is simple to operate and reliable to lock;
2. With separation, test, connection three position display, can be respectively in the test and connection position lock drawer;
3. The travel from the test position of the mechanism to the connection position is 24mm;
4. Handle hole height to drawer bottom plate height 69/82/119mm (including bottom plate thickness);
5. The mechanism is routinely equipped with an open and a closed micro switch at the test position. If the connection position is required to be equipped with a micro switch, please indicate in the order;
6. The electric operation function mechanism is equipped with a micro switch model in the test and connection position; DLS6.D;
7. If you need the sheet metal drawing of the organization, please contact the technical department of our company.

### 显示位置说明

**分离位置:** 此位置抽屉可以推进和拉出;  
**试验位置:** 此位置二次回路接通, 一次回路断开, 抽屉被锁定;  
**连接位置:** 此位置一次、二次回路均接通, 抽屉被锁定, 主开关可以合闸

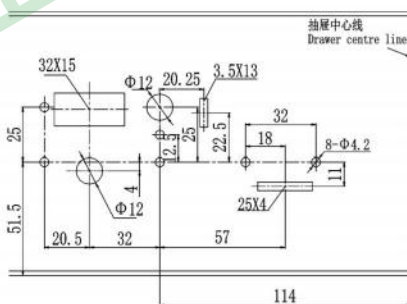
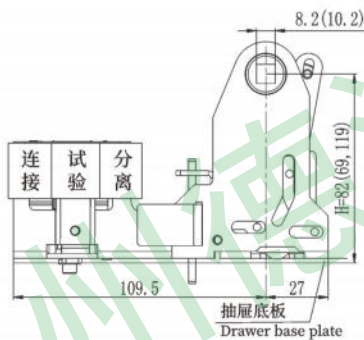
### Display Location Description

**Separation position:** This position drawer can be pushed and pulled out;  
**Test position:** this position the secondary loop is connected, the primary loop is disconnected, the drawer is locked;  
**Connection position:** This position, the primary and secondary circuits are connected, the drawer is locked, the main switch can be closed

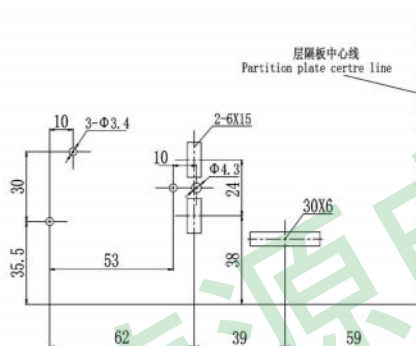
## 机构选型表

Mechanism selection table

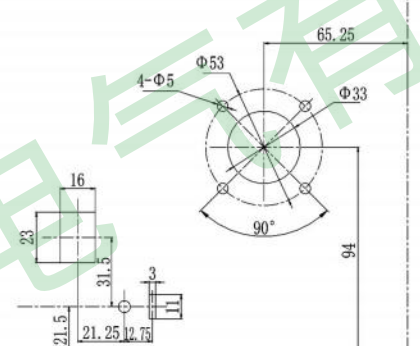
型号 model	试验位置带1组 微动开关 There was 1 group of test locations/Micro switch	电操型号 Electric operating model	A	H	备注 note
方轴 Square shaft				82	用于200高单元手拉抽屉 For 200-high unit hand drawer
适配8*8方轴 Fit 8*8 square axis	DLS6.1C	DLS6.D	8.2	69	用于150高单元手拉抽屉 For 150-high unit hand drawer
	DLS6.2C			119	
适配10*10方轴 Fit 10*10 square axis	DLS6.3C-1			10.2	119



抽屉底板开孔图  
Drawer baseplate hole drawing



抽屉层板开孔图  
Drawer layerplate hole drawing

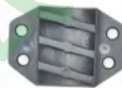
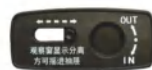


抽屉面板开孔图  
Drawer panel opening drawing

## ——通用型低压配电柜附件(三代)

**DJG-7型手摇机构 (适用于单元手摇抽屉)**

DJG-7 Hand pull mechanism (suitable for unit hand pull drawer)

DJG-7 手摇机构  
DJG-7 hand mechanismDJG-8.16 摇把  
Crank HandleDJG-7.11011 双头螺套  
Double end screwsleeveDJG-8.11012 限位导轨  
Limit Guide RailDSJG-8.114 机构面板  
Body panels**显示位置说明**

分离位置: 此位置抽屉可以推进和拉出;

试验位置: 此位置二次回路接通, 一次回路断开, 抽屉被锁定;

连接位置: 此位置一次、二次回路均接通, 抽屉被锁定, 主开关可以合闸

**Display Location Description**

Separation position: This position drawer can be pushed and pulled out;

Test position: this position the secondary loop is connected, the primary loop is disconnected, the drawer is locked;

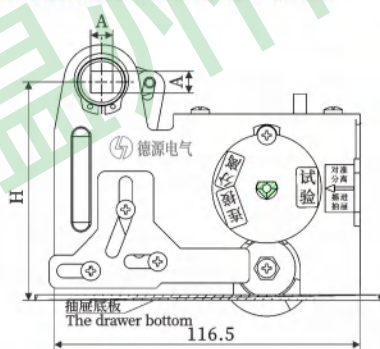
Connection position: This position, the primary and secondary circuits are connected, the drawer is locked, the main switch can be closed.

**功能特点**

- ① 机构具有分离、试验、连接三位置显示, 分别可在试验和连接位置锁定抽屉;
- ② 机构试验位置到连接位置行程24mm;
- ③ 手柄孔高度到抽屉底板高度有69/82/119mm (含底板料厚);
- ④ 机构在试验位置标配一开一闭微动开关, 如需连接位置配置微动开关, 请在订单中注明;
- ⑤ 电操功能机构在试验、连接位置各配一个微动开关型号;
- ⑥ 如需机构对应钣金图, 请联系我司技术部。

**Main Character**

- ① The mechanism has three positions of separation, test and connection display, which can lock the drawer in the test and connection positions respectively;
- ② The travel from the test position of the mechanism to the connection position is 24mm;
- ③ The height of the hand handle hole to the drawer bottom plate is 69/82/119mm (including the thickness of the bottom plate);
- ④ The mechanism is standard equipped with an open and a closed micro switch at the test position. If the connection position is required to be equipped with a micro switch, please indicate in the order;
- ⑤ The electric operation function mechanism is equipped with a micro switch model in the test and connection position;
- ⑥ If you need the sheet metal drawing of the organization, please contact our technical department.

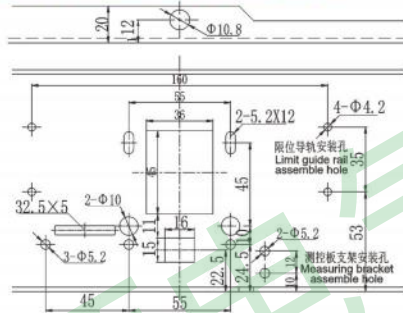
**机构选型表****Mechanism selection table**

型号 model	试验位置带1组 微动开关 There was 1 group of test locations Micro switch	电操型号 Electric operating model	A	H	备注 note
方轴 Square shaft					
适配8*8方轴 Fit 8*8 square axis	DJG-7.1C	DLS-7.D	8.2	82	用于200高单元手摇抽屉 For 200-high unit hand drawer
	DJG-7.2C			69	用于150高单元手摇抽屉 For 150-high unit hand drawer
	DJG-7.3C		119		
适配10*10方轴 Fit 10*10 square axis	DJG-7.3C-1		10.2	119	用于200高以上手摇抽屉 For hand drawer over 200 height

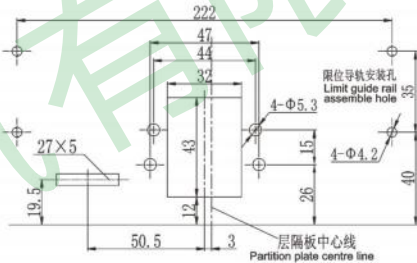
**机构订货说明:** 订货时按照表中规格选型; 如需在连接位置带1组微动开关请在订单中注明; 机构对应抽屉钣金图纸请联系我司技术部**Ordering instructions:** Select the type according to the specifications in the table when ordering; If 1 group of micro switch is required at the connection position, please indicate in the order; Please contact our technical department for the sheet metal drawing of the drawer corresponding to the organization.

## DJG-7 安装尺寸图

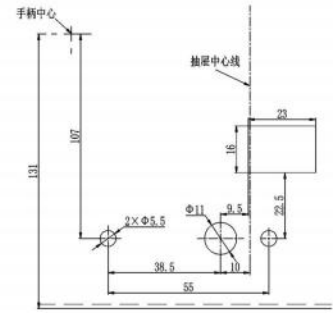
### DJG-7 Assembly Dimension



抽屉底板开孔图  
Drawer baseplate hole drawing



抽屉层板开孔图  
Drawer layerplate hole drawing



抽屉面板开孔图  
Drawer panel opening drawing

## 电操联锁机构 DJG-8.18

### Electrical interlocking mechanism DJG-8.18



#### ■ 功能特点

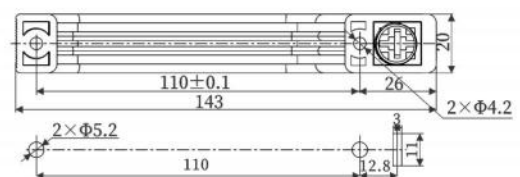
- ①与电操手摇机构配套使用，操作手摇机构前必须先操作电操联锁机构解锁；
- ②机构具有一开一闭微动开关，在断路器合闸状态操作联锁机构时，微动开关动作，主开关跳闸，防止带负荷摇出抽屉。

#### Main Character

- ①It is used together with the electric operation hand mechanism. Before operating the hand mechanism, the electric operation interlocking mechanism must be operated to unlock it;
- ②The mechanism has an open and a close micro switch. When the interlocking mechanism is operated in the closed state of the circuit breaker, the micro switch will act and the main switch will trip to prevent shaking out of the drawer with load.

## DJG-7.71左拉手部件

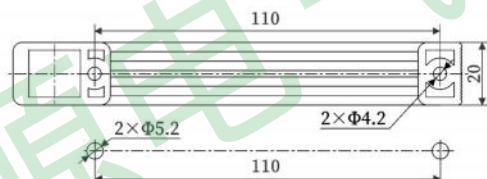
### DJG-7.71 Left Handle Part



钣金开孔尺寸(适配ST4, 8\*12自攻螺丝)  
Sheet metal opening size (for ST4, 8\*12 tapping screws)

## DJG-7.70004右拉手

### DJG-7.70004 Right Handle



钣金开孔尺寸(适配ST4.8\*12自攻螺丝)  
Sheet metal opening size (for ST4.8\*12 tapping screws)

## ——通用型低压配电柜附件(三代)

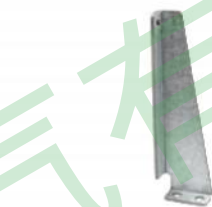
## 开启式仪表板

## Open Type Instrumental Panel



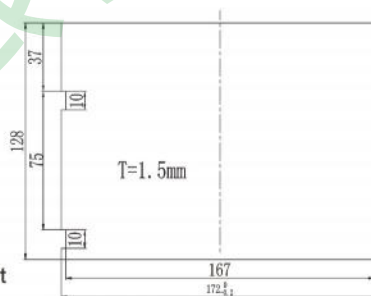
DCT-2.313 开启式仪表板

DCT-2.313 Open Type Instrumental Panel



DCT-2.31305 测控板支架

Measurement and control board support



客户自制钢板图 Steel plate drawing

适用于H=200mm以上抽屉, 仪表板为冷轧钢板, 由用户开孔后喷塑。

Used for drawer H=200mm above, instrument panel in cold rolled steel plate, sprayed by the user after opening hole



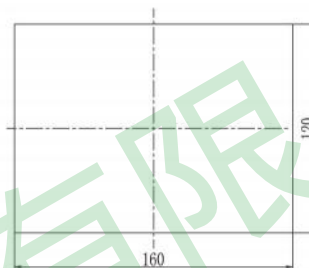
DCT-2.315 开启式仪表板

DCT-2.315 Open Type Instrumental Panel



DCT-2.31305 测控板支架

Measurement and control board support



仪表板开孔区域范围 Instrumental hole size

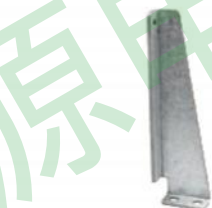
适用于H=200mm以上抽屉, 仪表板开孔区域为塑料。

Used for drawers in H=200mm and above, and the hole area of the instrument panel is plastic.



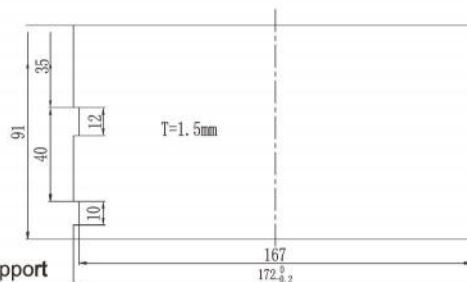
DCT-2.314 开启式仪表板

DCT-2.314 Open Type Instrumental Panel



DCT-2.31305 测控板支架

Measurement and control board support



客户自制钢板图 Steel plate drawing

适用于H&lt;200mm抽屉, 仪表板为冷轧钢板, 由用户开孔后喷塑。

Used for drawer H&lt;200mm above, instrument panel in cold rolled steel plate, sprayed by the user after opening hole



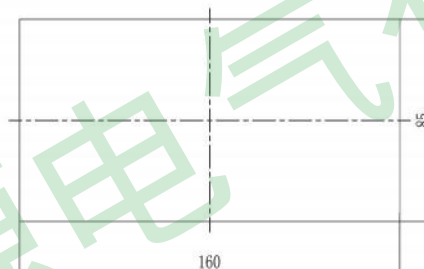
DCT-2.316 开启式仪表板

DCT-2.316 Open Type Instrumental Panel



DCT-2.31305 测控板支架

Measurement and control board support



仪表板开孔区域范围 Instrumental hole size

适用于H&lt;200mm抽屉, 仪表板开孔区域为塑料。

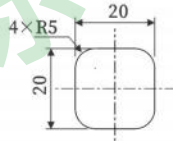
Used for drawer H&lt;200mm above, and the hole area of the instrument panel is plastic.

抽屉普通门锁

Drawer common door lock



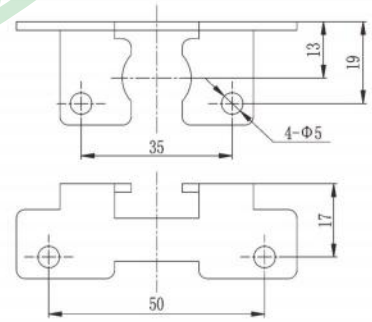
DMS3.31解锁门锁  
DMS3.31 Unlocking L lock



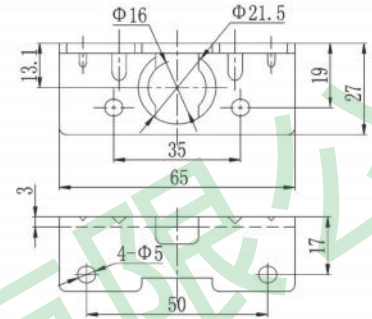
门锁开孔  
The door opening



DMS3.31004门锁支架  
DMS3.31 004 Door L.ock Bracket



DMS3.33001无折弯门锁支架  
DMS3.33001 Unbending Door Lock Bracket

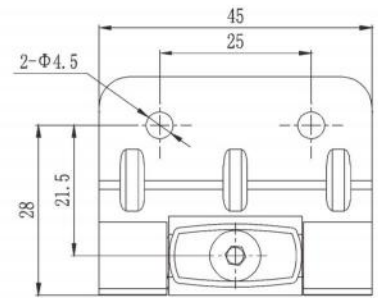
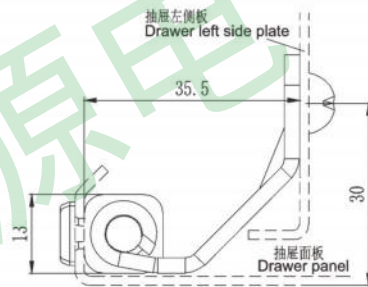


抽屉暗铰链 DLC2.115

Drawer concealed hinge



DLC2.115 抽屉暗铰链  
Drawer concealed hinge

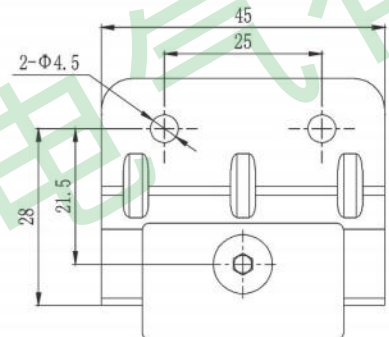
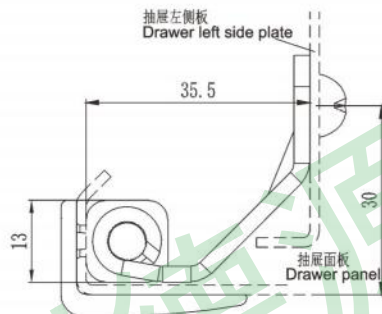


抽屉明铰链 DLC2.116

Drawer exposed hinge



DLC2.116 抽屉明铰链  
Drawer exposed hinge



## ——通用型低压配电柜附件(三代)

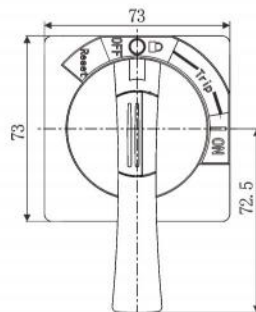
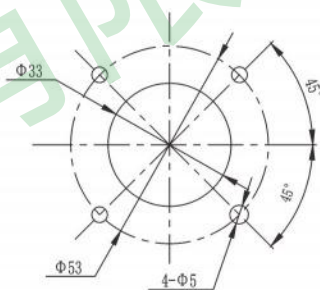
## 6E~24E抽屉通用附件

6E~24E drawer general accessories



开关分合闸手柄  
Switch opening and  
closing handle

产品型号 Product model	L	操作杆 Operating shaft
DSB5-003	73	8X8
DSB5-004	95	8X8
DSB5-005	73	10X10
DSB5-006	95	10X10
DSB5-008	120	10X10

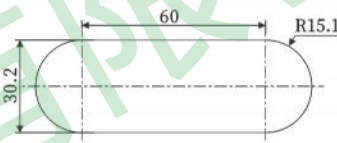


左右导轨  
Left and right guide rails

产品型号 Product model	L
DTC-1.134	369
DTC-1.134-1	429
DTC-1.134-5	469



DLT1.11003 拎手护套  
Handle Jacket



钣金开孔图  
Sheet metal opening diagram



轴承 Φ28  
Bearing Φ28



DTC-1.13108HD轴  
DTC-1.13108HD Axle



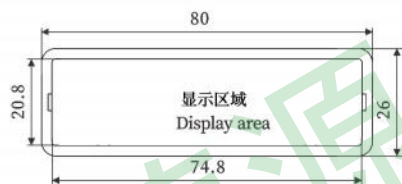
DLC2.11004 侧板螺钉M5  
Side plate screw M5



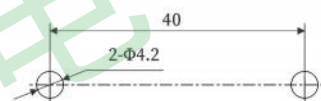
DTC-1.154 12E~24E 金属把手  
12E~24E metal handle



DLT1.21 标签框  
DLT1.21 Label box



显示区域  
Display area  
标签框外形示意图  
Outline of the label frame



钣金开孔图  
Sheet metal opening diagram

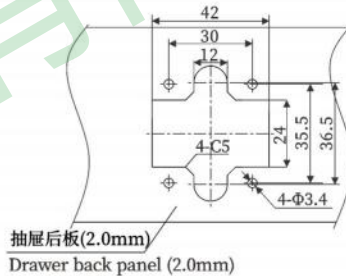
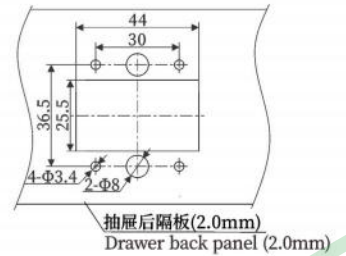
## 通讯插件

### Communication plug-in



RJ-1.1 RJ 通讯插件

RS-1.1 RS通讯插件

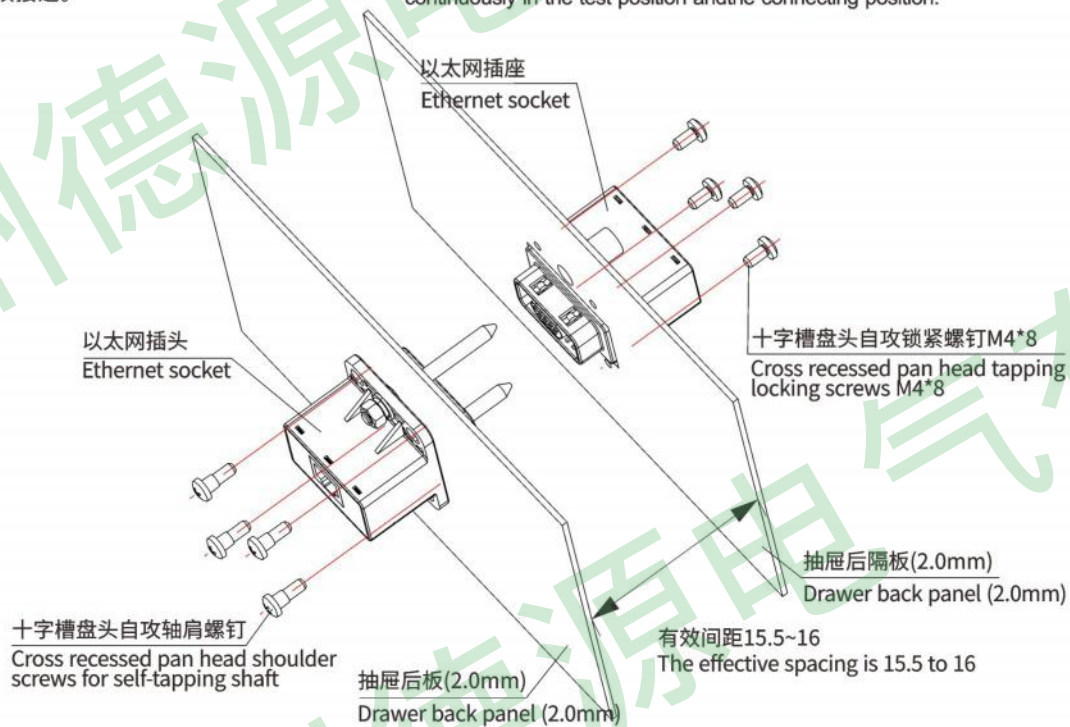
 抽屉后板动插件安装开孔尺寸图  
 Drawer rear plate dynamic plug-in  
 installation hole size

 抽屉后隔板静插件安装开孔尺寸图  
 Drawer rear partition static plug-in  
 installation hole size


### 产品优点

- ① 通讯插件分两种接线类型:1、金属屏蔽的RJ45以太网接口;2、RS485接口;
- ② 插头与插座接插端采用DB9接口 (RS485);
- ③ DB9接口与RJ45以太网接口采用特殊定制, 插针镀金处理, 保证接插稳定;
- ④ 插头与插座具有导向针和塑料插口双重导向, 保证接插可靠;
- ⑤ 插头和插座结构全部采用金属屏蔽, 保证通讯信号不收外部信号干扰, 传输稳定及时;
- ⑥ 插件适用TCP/IP协议与RS485协议;
- ⑦ 插件根据通讯协议不同最大传输速率达到100Mbps;
- ⑧ 额定电压: 24V 额定电流: 1A;
- ⑨ 与三位置延伸机构配套可实现抽屉在试验位置和连接位置连续接通。

### Product Advantages

- ① There are two types of cable connections for communication plug-ins: 1. Metal shielded RJ45 Ethernet port; 2. RS485 port;
- ② The plug and socket connector adopts DB9 interface (RS485);
- ③ DB9 interface and RJ45 Ethernet interface adopt special custom, pin gold-plated treatment, to ensure the stability of the plug;
- ④ The plug and socket have double guide needle and plastic socket to ensure reliable connection;
- ⑤ The plug and socket structure are all made of metal shielding to ensure that the communication signal does not receive external signal interference, and the transmission is stable and timely;
- ⑥ The plug-in is applicable to TCP/IP protocol and RS485 protocol;
- ⑦ According to different communication protocols, the maximum transmission rate of the plug-in reaches 100Mbps;
- ⑧ Rated voltage: 24V Rated current: 1A;
- ⑨ With the three-position extension mechanism, the drawer can be connected continuously in the test position and the connecting position.



## ——通用型低压配电柜附件(三代)

## 三位置延伸机构

## Three position extension mechanism



RSZ1-11103-2 三位置延伸机构  
Three position extension mechanism

## 产品优点

- 1.体积小, 占用空间小
- 2.与通讯插件配合可实现试验位置到连位置全过程接通
- 3.安装在右侧板上, 结构简单, 安装方便
- 4.机构对应抽屉钣金图图纸请联系我司技术部

## Main Character

1. It is small in size and occupies little space;
2. The whole process of connecting the test position to the connection position can be connected with the communication plug-in;
3. Mounted on the right panel, simple structure, easy installation;
4. Please contact our technical department for the sheet metal drawing of the drawer corresponding to the organization.

## DCT(Z)6型主电路接插件(后出)

## DCT(Z) Type 6 Main Circuit connector (Rear Wiring)

## ■ 型号及含义

## Type And Meaning

D C □ □ - □ - □ - □ A



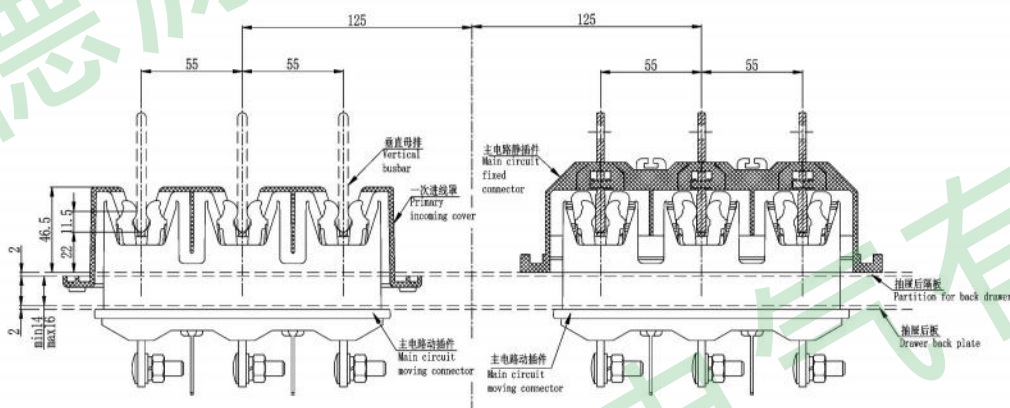
## ■ 主要技术参数

## Main Technical Parameters

- 额定电压: AC690V  
 额定电流: 80A、125A、250A、400A、630A  
 额定绝缘电压: 1000V  
 工频耐受电压: 3500V  
 垂直母线间距: 55mm  
 垂直母线厚度: 6mm  
 Rated voltage: AC690V  
 Rated current: 80A、125A、250A、400A、630A  
 Rated insulation voltage: 1000V  
 Power frequency withstand voltage: 3500V  
 Vertical busbar phase clearance: 55mm  
 Vertical busbar thickness: 6mm

## ■ 产品优点

- ① 插件的插片结构采用双夹头设计原理, 卡扣等零件采用进口不锈钢材料隔磁, 减少因涡流引起的温升。
- ② 插片之间有凸点隔开, 而不是直接的叠加, 增加了插片之间的散热表面积, 散热和导电效果更好。
- ③ 插片与铜排接触位置对应的插头壳位置有开通风孔, 便于散热降低温升。



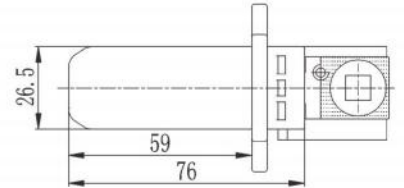
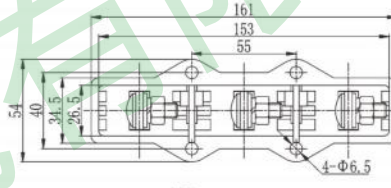
## Product advantages

- ① The structure of the plug-in adopts the design principle of double chuck, and the buckles and other parts adopt imported stainless steel material for magnetic insulation to reduce the temperature rise caused by eddy current.
- ② There are convex points between the inserts separated, rather than direct superposition, increase the heat dissipation surface area between the inserts, heat dissipation and conductive effect is better.
- ③ The plug shell corresponding to the contact position of the plug blade and the copper bar has a ventilation hole to facilitate heat dissipation and reduce the temperature rise.

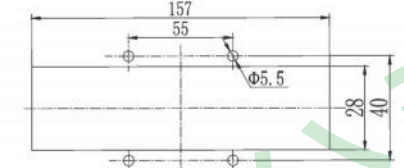
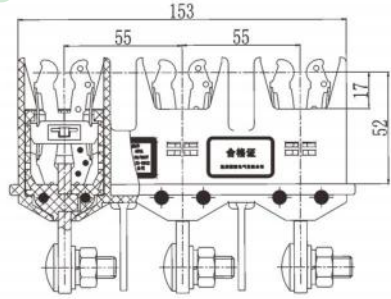
**DCT(Z)6型主电路接插件(后出)**  
**DCT(Z) Type 6 Main Circuit connector (Rear wiring)**



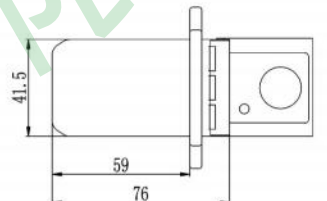
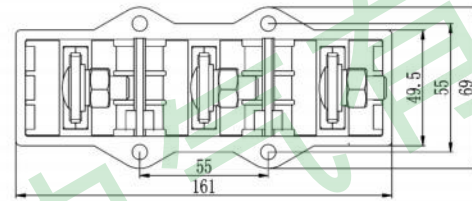
DCT6C-80A/125A/160A主电路接插件  
 DCT6C-80A/125A/160A Main circuit connector



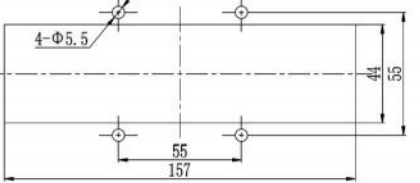
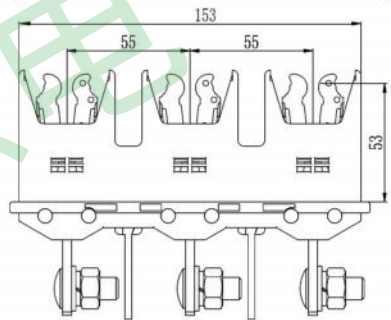
DCT62C-B-3-250A主电路接插件  
 DCT62C-B-3-250A Main circuit connector



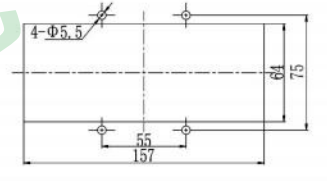
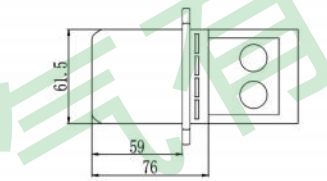
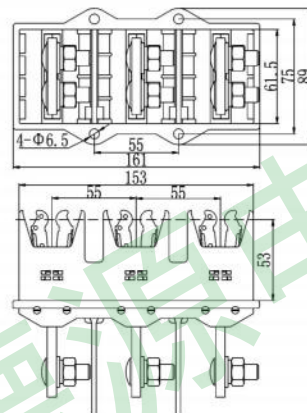
DCT6C-B-3-250A 250A主电路接插件  
 DCT6C-B-3-250A 250A main circuit connector



DCT6C-B-3-400A 400A主电路接插件  
 DCT6C-B-3-400A 400A main circuit connector



DCT6C-B-3-630A 630A主电路接插件  
 DCT6C-B-3-630A 630A main circuit connector



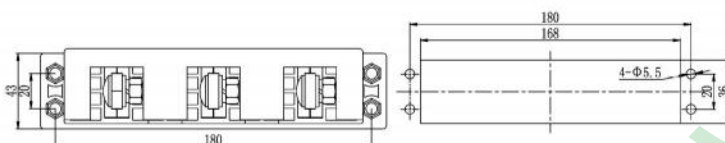
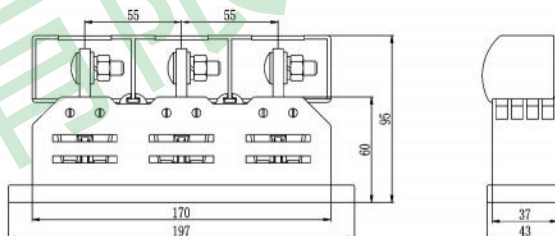
## ——通用型低压配电柜附件(三代)

**DCT(Z)6型主电路接插件(后出)**

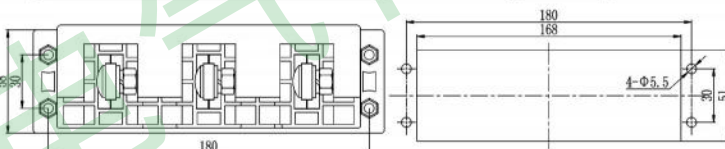
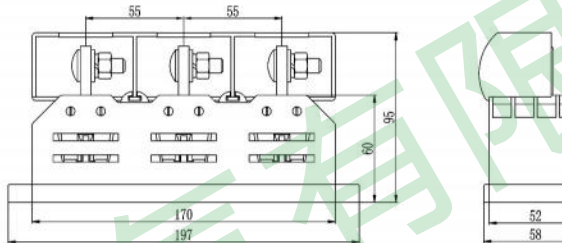
DCT(Z) Type 6 Main Circuit connector (Rear wiring)



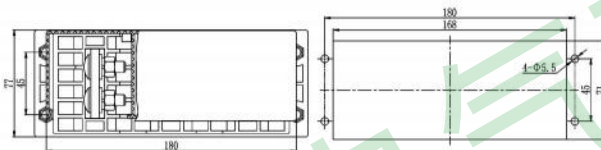
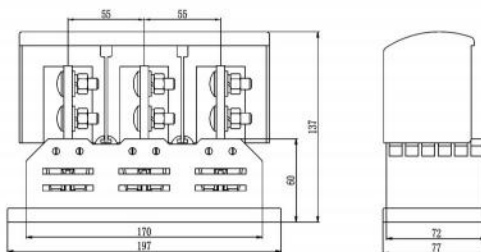
DCZ6-B-3-80A 80A主电路静插件  
 DCZ6-B-3-80A Main circuit fixed connectors  
 DCZ62-B-3-125A 125A主电路静插件  
 DCZ62-B-3-125A Main circuit fixed connectors  
 DCZ62-B-3-160A 160A主电路静插件  
 DCZ62-B-3-160A Main circuit fixed connectors  
 DCZ62-B-3-250A 250A主电路静插件  
 DCZ62-B-3-250A Main circuit fixed connectors



DCZ6-B-3-125A 125A主电路静插件  
 DCZ6-B-3-125A 125A Main circuit fixed connectors  
 DCZ6-B-3-160A 160A主电路静插件  
 DCZ6-B-3-160A 160A Main circuit fixed connectors  
 DCZ6-B-3-250A 250A主电路静插件  
 DCZ6-B-3-250A 250A Main circuit fixed connectors  
 DCZ6-B-3-400A 400A主电路静插件  
 DCZ6-B-3-400A 400A Main circuit fixed connectors



DCZ6-B-3-630A 630A主电路静插件  
 DCZ6-B-3-630A 630A Main circuit fixed connectors

**订货须知**

1. 订货时请注明插件的型号, 名称和规格。
2. 此样本上只列3极插件型号, 4极插件型号请参考经济型通用件。
3. 如果有其他特殊的需求, 可与我公司技术部门联系。

**Ordering Instructions**

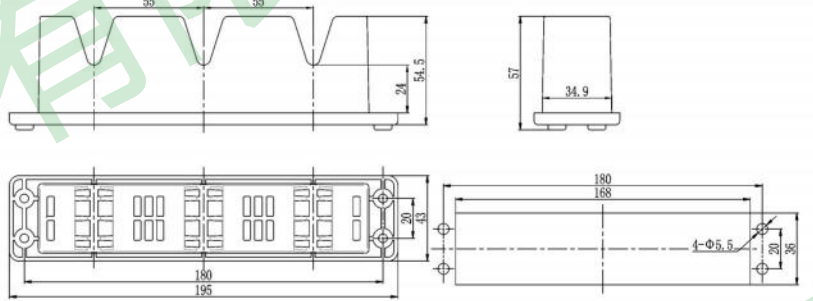
1. Please indicate the model, name and specification of the plug-in when ordering.
2. Only the 3-pole plug-in model is listed in this sample. For other information such as the 4-pole plug-in model Economical universal parts.
3. If you have other special needs, you can contact our technical department.

## DJXZ6型一次进线罩

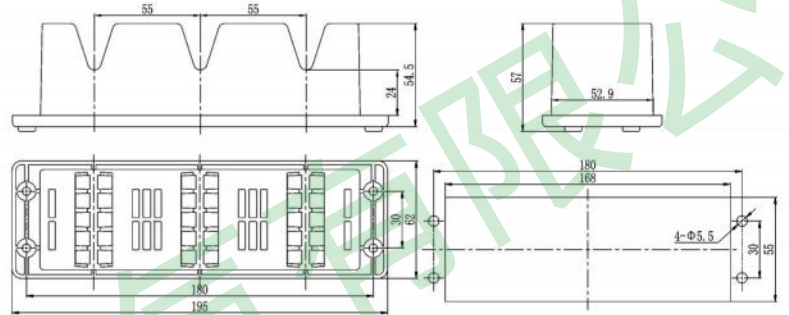
DJXZ6 Primary Incoming Cover



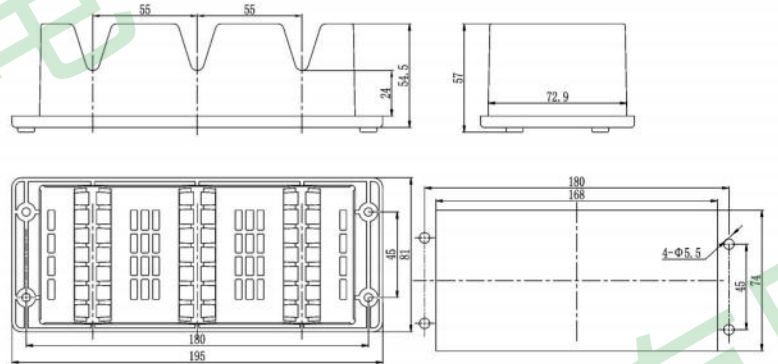
- DJXZ6-B-3-80A 80A一次进线罩  
 DJXZ6-B-3-80A 80A Primary Incoming Cover  
 DJXZ62-B-3-125A-II 125A一次进线罩  
 DJXZ62-B-3-125A-II 125A Primary Incoming Cover  
 DJXZ62-B-3-160A-II 160A一次进线罩  
 DJXZ62-B-3-160A-II 160A Primary Incoming Cover  
 DJXZ62-B-3-250A-II 250A一次进线罩  
 DJXZ62-B-3-250A-II 250A Primary Incoming Cover



- DJXZ6-B-3-250A 250A一次进线罩  
 DJXZ6-B-3-250A 250A Primary Incoming Cover  
 DJXZ6-B-3-80~400A 80~400A一次进线罩  
 DJXZ6-B-3-80~400A 80~400A Primary Incoming Cover



- DJXZ6-B-3-630A 630A一次进线罩  
 DJXZ6-B-3-630A 630A Primary Incoming Cover



### 订货须知

1. 订货时请注明插件的型号, 名称和规格。
2. DJXZ6-B-3-80~400A 80~400A一次进线罩 含80A、125A、160A、400A四个规格, 不含250A。
3. 此样本上只列3极插件型号, 4极插件型号请参考经济型通用件。
4. 如果有其他特殊的需求, 可与我公司技术部门联系。

### Ordering instructions

1. Please specify the model, name and specification of the plug-in when ordering.
2. DJXZ6-B-3-80~400A 80~400A one-time inlet wire cover includes 80A, 125A, 160A, 400A four specifications, excluding 250A.
3. Only the 3-pole plug-in model is listed on this sample. For other information, please refer to Economical universal parts of the company.
4. If you have any special needs, please contact our technical department.

043 通用型(三代)低压配电柜附件

## ——通用型低压配电柜附件(三代)

## DCT(Z)2型主电路接插件(侧出)

DCT(Z) Type 2 Main circuit connector (side Wiring)

## ■ 型号及含义

## Type And Meaning



## ■ 产品优点

DCT2系列主电路接插件是我公司开发用于经济型侧出线方案的一次接插件,作为单一回路出线用。可以与DCT6C系列接插件配套使用,用于经济型55mm相距的侧出线方案抽屉。也可以与DCT9系列接插件配套使用,用于半块功能板方案的侧出线方案。

- 1、插件的插片结构采用双夹头设计原理,卡扣等零件采用进口不锈钢材料隔磁,减少因涡流引起的温升。
- 2、插片之间有凸点隔开,而不是直接的叠加,增加了插片之间的表面积,散热和导电效果更好。
- 3、插片与铜排接触位置对应的插头壳位置有开通风孔,便于散热降低温升。
- 4、插件的电流规格为125A、250A、400A、630A。可适用于最小模数为H=150mm的6E抽屉,实现经济型抽屉150mm高抽屉的侧出,替代GCS的侧出方案。

## ■ 主要技术参数

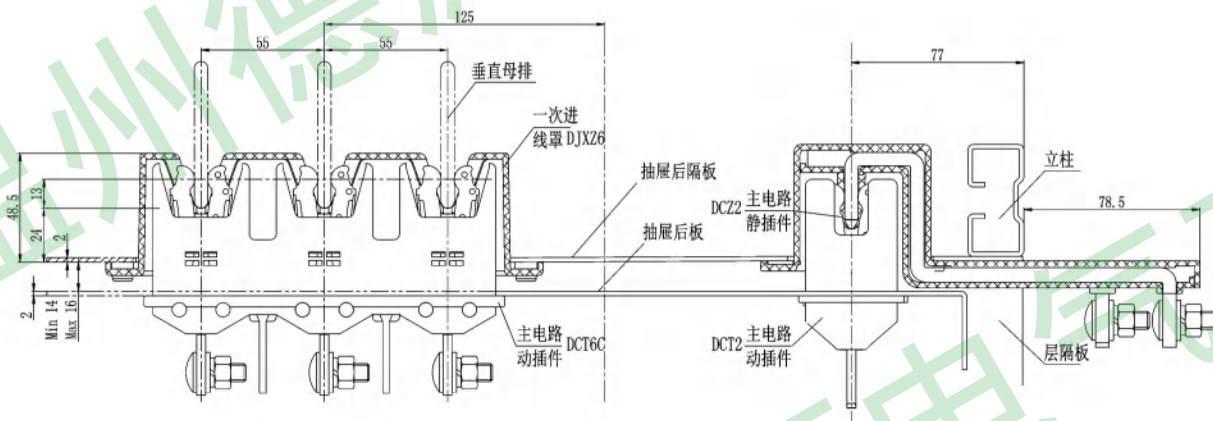
## Main Technical Parameters

额定电压:AC690V  
 额定电流:125A、250A、400A、630A  
 额定绝缘电压:1000V  
 额定工频耐受电压:3500V;  
 垂直母线厚度:6mm;  
 Rated voltage :AC690V  
 Rated current :125A,250A, 400A, 630A  
 Rated insulation voltage: 1000V  
 Rated power frequency tolerance voltage :3500V;  
 Vertical bus thickness: 6mm;

## Main Character

DCT2 SERIES MAIN CIRCUIT CONNECTOR IS A PRIMARY CONNECTOR DEVELOPED BY our COMPANY FOR economic SIDE outlet scheme, which is used as a single circuit outlet. With DCT6C series connectors are used together, for economic 55mm apart side out drawer. It can also be used with DCT9 series connectors for half block function The side outlet of the plate scheme.

1. The structure of the plug-in adopts the design principle of double chuck, and the buckles and other parts adopt imported stainless steel material for magnetic insulation to reduce the temperature rise caused by eddy current.
2. there are convex points between the inserts, rather than direct superposition, increase the surface area between the inserts, heat dissipation and conductive effect is better.
3. The plug shell corresponding to the contact position of the plug blade and the copper bar has a ventilation hole to facilitate heat dissipation and reduce the temperature rise.
4. plug-in current specifications for 125A, 250A, 400A, 630A. It can be applied to 6E drawer with the minimum modulus of H=150mm, realizing the side exit of the 150mm high drawer of economic drawer, replacing the side exit scheme of GCS.



## 订货须知

- 1、订货时请注明插件的型号,名称和规格,侧出线规格只有3极。
- 2、如果有其他特殊的需求,可与我公司技术部门联系。

## Ordering instructions

1. Please specify the model, name and specification of the plug-in when ordering. The specification of the side outlet is only 3 poles.
2. If you have any special needs, please contact our technical department.

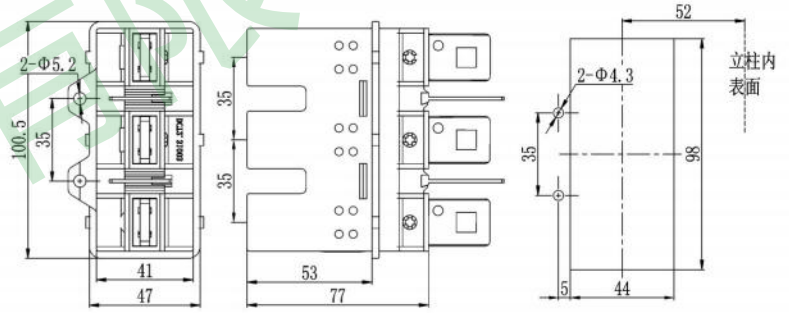
DCT2型主电路接插件 (侧出)

DCT2 Series Main Circuit Connectors(Side Wiring)

通用型(三代)



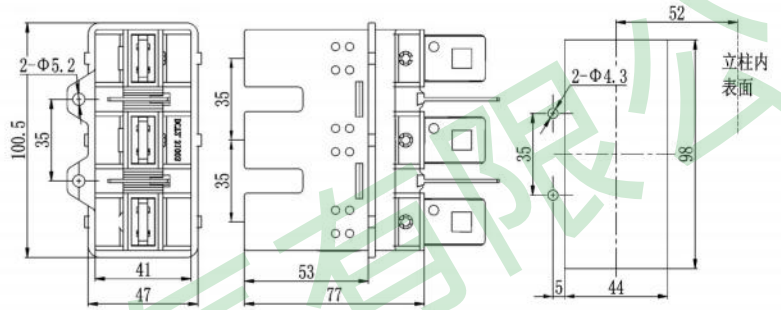
DCT2-B-3-125A 125A旁出动插件  
DCT2-B-3-125A Plug-in is deployed beside 125A



通用型(二代)



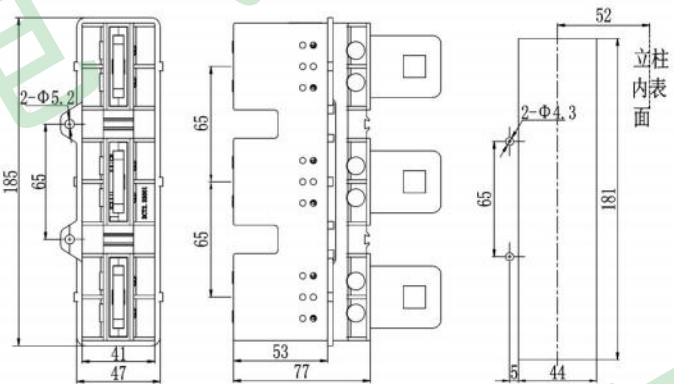
DCT2-B-3-250A 250A旁出动插件  
DCT2-B-3-250A Side wiring moving connectors



SUPERSET



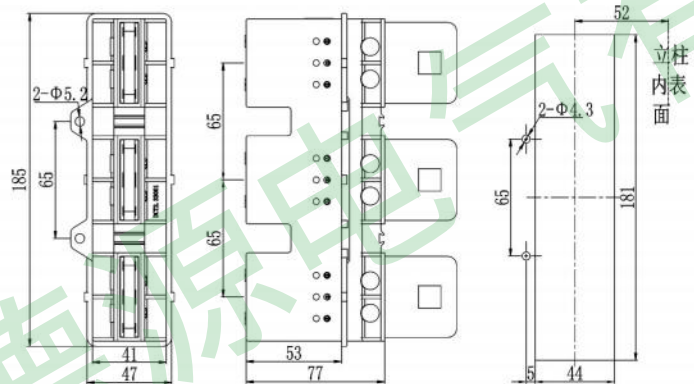
DCT2-B-3-400A 400A旁出动插件  
DCT2-B-3-400A Side wiring moving connectors



经济型通用件



DCT2-B-3-630A 630A旁出动插件  
DCT2-B-3-630A Side wiring moving connectors



MNS2.0/3.0

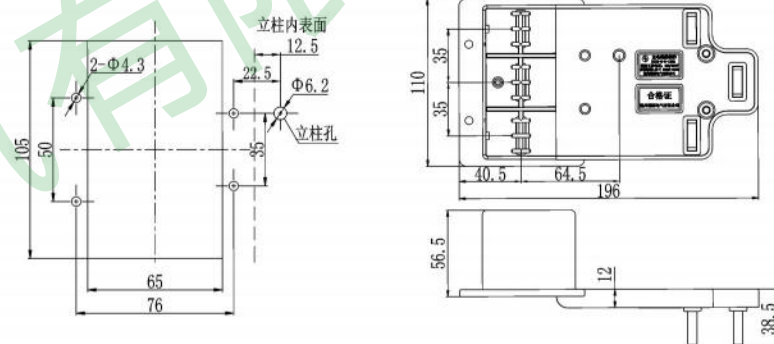
——通用型低压配电柜附件(三代)

**DCT2型主电路接插件 (侧出)**

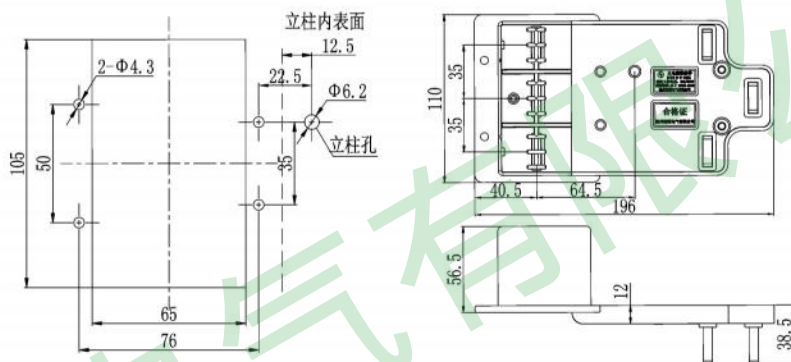
DCT2 Main Circuit Connector (Side Wiring)



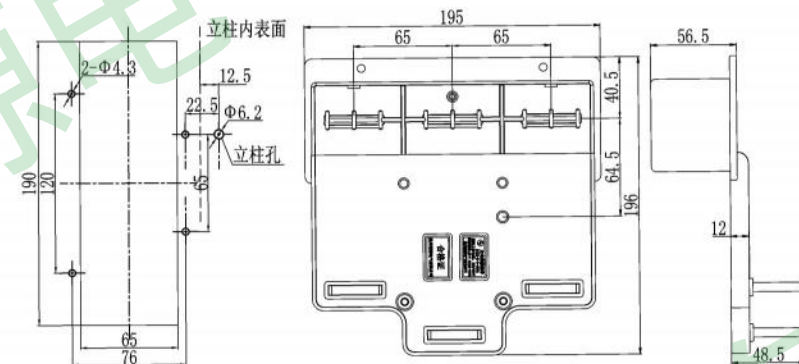
DC22-B-3-125A 125A旁出静插件  
DC22-B-3-125A 125A Side wiring fixed connectors



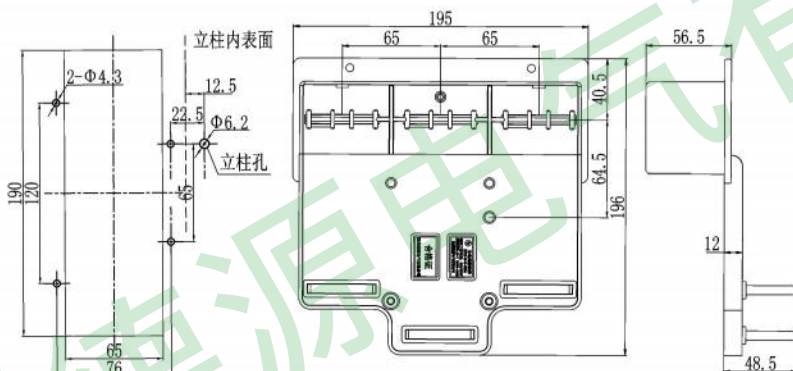
DC22-B-3-250A 250A旁出静插件  
DC22-B-3-250A 250A Side wiring fixed connectors



DC22-B-3-400A 400A旁出静插件  
DC22-B-3-400A 400A Side wiring fixed connectors



DC22-B-3-630A 630A旁出静插件  
DC22-B-3-630A 630A Side wiring fixed connectors

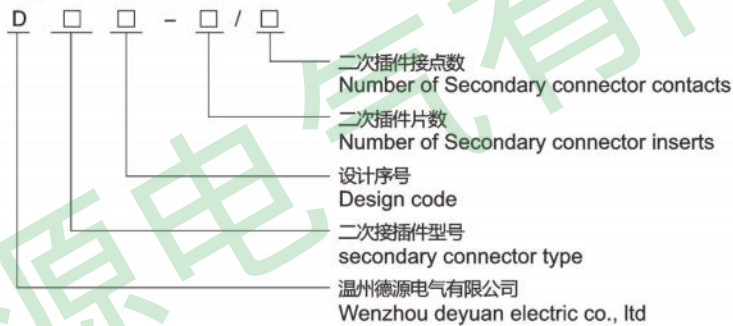


## 二次接插件

### Secondary Connector

#### ■ 型号及含义

##### Type And Meaning



#### ■ 主要电气参数

##### Main Technical Data

交流220V(380V), 直流110V.

额定电流10A

AC220V(380V), DC110V

Rated current 10A



#### 特点

- ① 抽屉处于试验位置时二次可接通
- ② 二次插头带有导向针, 接插可靠

#### The characteristics of

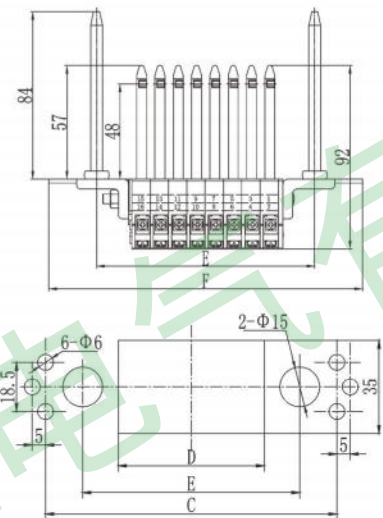
- ① The drawer can be connected twice when it is in the test position
- ② The second plug with guide pin, reliable insertion

名称 name	型号 model
DRC7 型二次接插件 type secondary connector	DRC7-5/10
DRC7 型二次接插件 type secondary connector	DRC7-6/12
DRC7 型二次接插件 type secondary connector	DRC7-8/16
DRC7 型二次接插件 type secondary connector	DRC7-10/20
DRC7 型二次接插件 type secondary connector	DRC7-12/24
DRC7 型二次接插件 type secondary connector	DRC7-15/30
DRC7 型二次接插件 type secondary connector	DRC7-16/32

## DRC7 插头外形及安装尺寸列表

### DRC7 Secondary Plug Outline And Assemble Dimension

型号 model	C	D	E	F
DRC7(T)-5/10	110.3	55.4	82.1	130.1
DRC7(T)-6/12	119.5	64.6	91.3	139.3
DRC7(T)-8/16	137.7	83	109.7	157.7
DRC7(T)-10/20	156.1	101.4	128.1	176.1
DRC7(T)-12/24	174.5	119.8	146.5	194.5
DRC7(T)-15/30	202.1	147.4	174.1	222.1
DRC7(T)-16/32	211.3	156.6	183.3	231.3



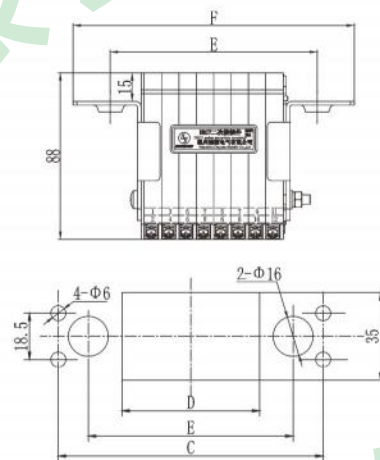
DRC7 插头外形及安装尺寸图  
DRC7 secondary plug outline and assemble dimension

## ——通用型低压配电柜附件(三代)

## DRC7 插座外形及安装尺寸列表

## DRC7 Secondary Socket Outline And Assemble Dimension

型号 model	C	D	E	F
DRC7(Z)-5/10	104	55.4	82	121.3
DRC7(Z)-6/12	113.2	64.6	91.2	130.5
DRC7(Z)-8/16	131.6	83	109.6	148.9
DRC7(Z)-10/20	150	101.4	128	167.3
DRC7(Z)-12/24	168.4	119.8	146.4	185.7
DRC7(Z)-15/30	196	147.4	174	213.3
DRC7(Z)-16/32	205.2	156.6	183.2	222.5

DRC7插座外形及安装尺寸图  
DRC7secondary socket outline and assemble dimension

## DRC9 直插式二次插件 (后出)

## DRC9 Direct Plug-in Secondary Connector (Rear wiring)



## 产品优点

- ①与现有螺钉接线方式相比,本方案具有接线快速,效率高的优点;
- ②DRC9插件可带试验接点,订货时需注明试验接点在几号;
- ③DRC9插件将插头与插座的配合间隙调整到1mm,降低抽屉与柜体配合精度的要求,二次插件安装采用M5自攻螺丝,安装方便快捷;
- ④二次动插件从抽屉外部紧固,拆卸方便,便于维修更换;
- ⑤抽屉处于试验位置时二次可接通。

## Product advantages

- ① Compared with the existing screw connection mode, this scheme has the advantages of fast connection and high efficiency;
- ② DRC9 plug-in can be equipped

with test contact, please specify the test contact number when ordering;③ DRC9 plug-in can adjust the gap between plug and socket to 1mm, reduce the precision of the drawer and cabinet, the second plug-in installation using M5 self-tapping screw, easy to install;④ The secondary moving plug-in is fastened from the outside of the drawer, easy to disassemble, easy to repair and replace;⑤ When the drawer is in the test position, it can be connected twice.

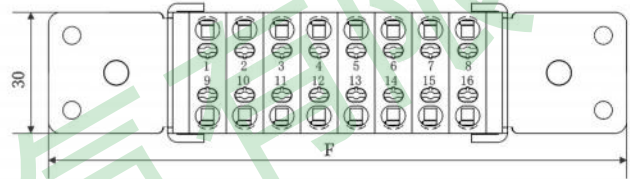
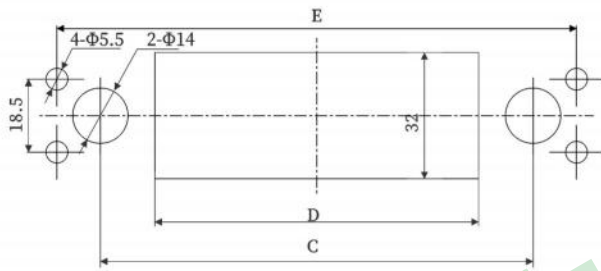
名称 name	型号 model	型号(带试验点) model number(Belt test point)
DRC9型二次接插件 DRC9 type secondary connector	DRC9-5/10	DRC9-5/10S
DRC9型二次接插件 DRC9 type secondary connector	DRC9-6/12	DRC9-6/12S
DRC9型二次接插件 DRC9 type secondary connector	DRC9-8/16	DRC9-8/16S
DRC9型二次接插件 DRC9 type secondary connector	DRC9-10/20	DRC9-10/20S
DRC9型二次接插件 DRC9 type secondary connector	DRC9-12/24	DRC9-12/24S
DRC9型二次接插件 DRC9 type secondary connector	DRC9-16/32	DRC9-16/32S

### DRC9 插头外形及安装尺寸列表

#### DRC9 Secondary Plug Outline And Assemble Dimension



型号 model	C	D	E	F
DRC9(T)-5/10	82	54.5	104	115.6
DRC9(T)-6/12	91.2	63.5	113.2	124.8
DRC9(T)-8/16	109.6	82	131.6	143.2
DRC9(T)-10/20	128	100.4	150	161.6
DRC9(T)-12/24	146.4	118.8	168.4	180
DRC9(T)-16/32	183.2	155.6	205.2	216.4

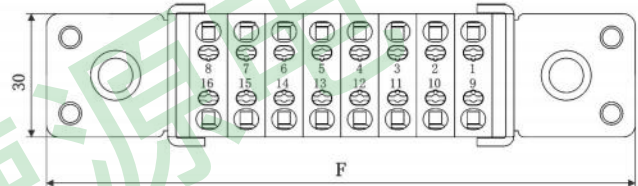
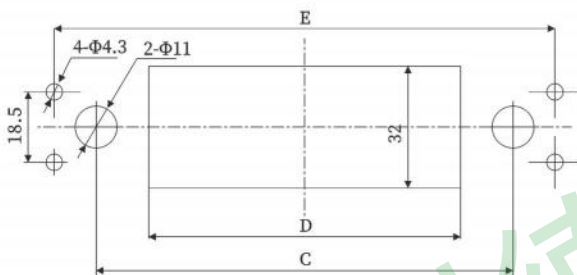


### DRC9 插座外形及安装尺寸列表

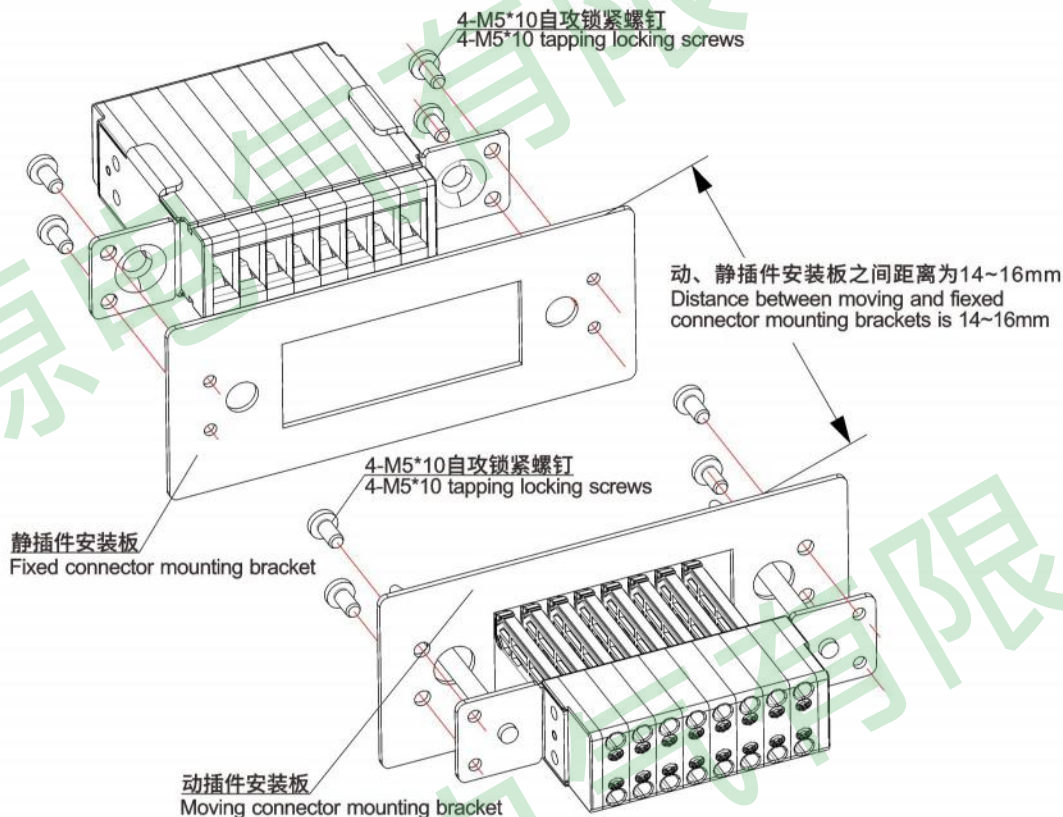
#### DRC9 Secondary Socket Outline And Assemble Dimension



型号 model	C	D	E	F
DRC9(Z)-5/10	82	54.4	104	115.6
DRC9(Z)-6/12	91.2	63.6	113.2	124.8
DRC9(Z)-8/16	109.6	82	131.6	143.2
DRC9(Z)-10/20	128	100.4	150	161.6
DRC9(Z)-12/24	146.4	118.8	168.4	180
DRC9(Z)-16/32	183.2	155.6	205.2	216.4



## ——通用型低压配电柜附件(三代)

**DRC9 直插式二次插件安装示意****DRC9 Direct Plug-in Secondary Connector Assemble Dimension****DRC9直插式二次插件接线示意****DRC9 Direct Plug-in Secondary Connector Wiring Dimension**

## ①根据管型预绝缘端子规格长度将导线一端绝缘层剥去

Strip off the insulation layer of one end of the wire according to the specification length of the tubular pre-insulated terminal

## ②将管型预绝缘端子与导线压接牢固

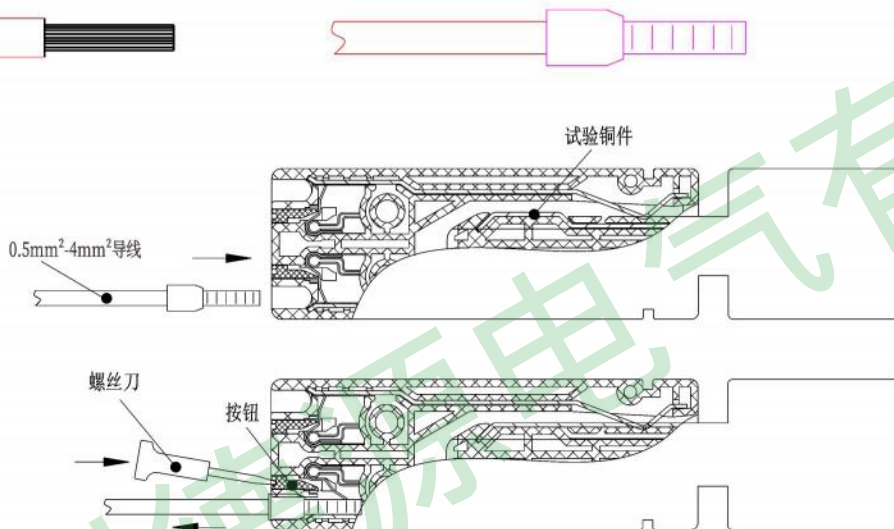
Crimp the pre-conductor of the tubular pre-insulated terminal firmly

**导线安装:**

导线铆接预绝缘铜管后按下方示意直接插入到底即可试验铜件

**Wire installation:**

After the wire is riveted to the pre-insulated copper tube, the copper part can be tested by inserting the bracket as indicated below.

**导线拔出:**

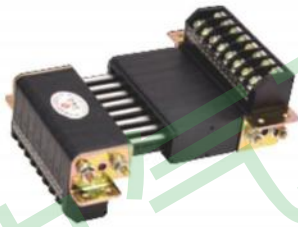
用螺丝刀向下按压按钮到底, 导线即可拔出

**Wire pull out:**

Press the button down with a screwdriver to the end, and the wire can be pulled out

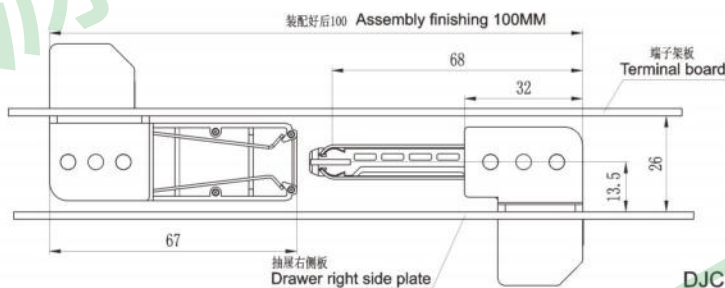
## DJCF2型二次接插件(侧出)

DJCF2 Series Secondary Connector(Side Wiring)



DJCF2系列二次接插件是专用于经济型侧出线方案的二次，可以替代B8E-S8E使用，具有三位功能并可按要求加装实验端子。

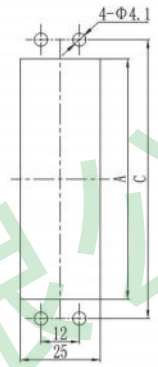
DJCF2 series secondary connector is designed for economical side outgoing scheme, which can replace B8E-S8E, with three position function and terminals can be added also.



型号规格 Model and specification	A	B	C
DJCF2-6/12	58.8	68.8	70.6
DJCF2-8/16	75	85	86.8
DJCF2-12/24	107.4	117.4	119.2
DJCF2-15/30	131.7	141.7	143.5



DJCF2 插座开孔图  
DJCF2 plug hole dimensions



DJCF2 插头开孔图  
DJCF2 socket hole dimensions

## 通风栅 Ventilation grid



DTL-1.11005通风栅IP40  
Ventilation fenceIP40  
开孔: 190x 69  
Hole: 190 X 69



小号通风栅  
Small ventilation fence  
GLBK 500 055P2 盖 Cover  
GLBK 500 059P2 底 Base  
开孔 Hole:190 x 69



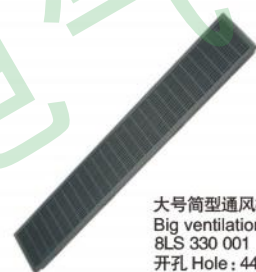
小号筒型通风栅  
Small ventilation fence  
8LS 330 002  
开孔 Hole : 190 x 69



DTL-1.11010 大号通风栅IP40  
Large ventilation grid Ip40  
开孔: 449X69  
Hole:449X69



大号通风栅  
Big ventilation fence  
GLBK 500 055P1 盖 Cover  
GLBK 500 059P1 底 Base  
开孔 Hole: 449 x 69



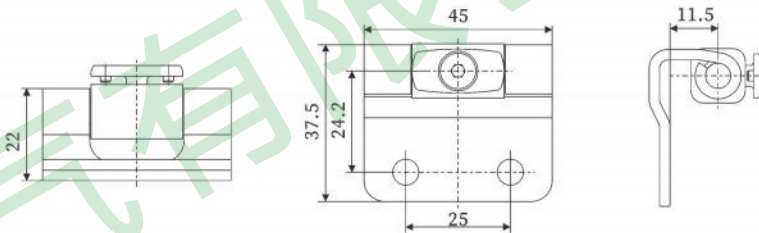
大号筒型通风栅盖  
Big ventilation fence  
8LS 330 001  
开孔 Hole : 449 x 69

——通用型低压配电柜附件(三代)

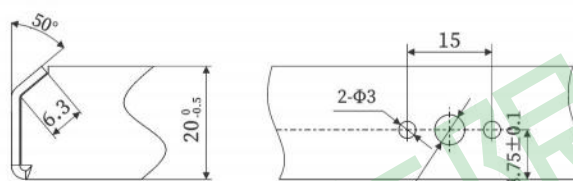
大门铰链  
Door Hinge



DLT1.131 大门暗铰链  
DLT1.131 Door Concealed Hinge



DLT1.171 大门暗铰链  
DLT1.171 Door Concealed Hinge

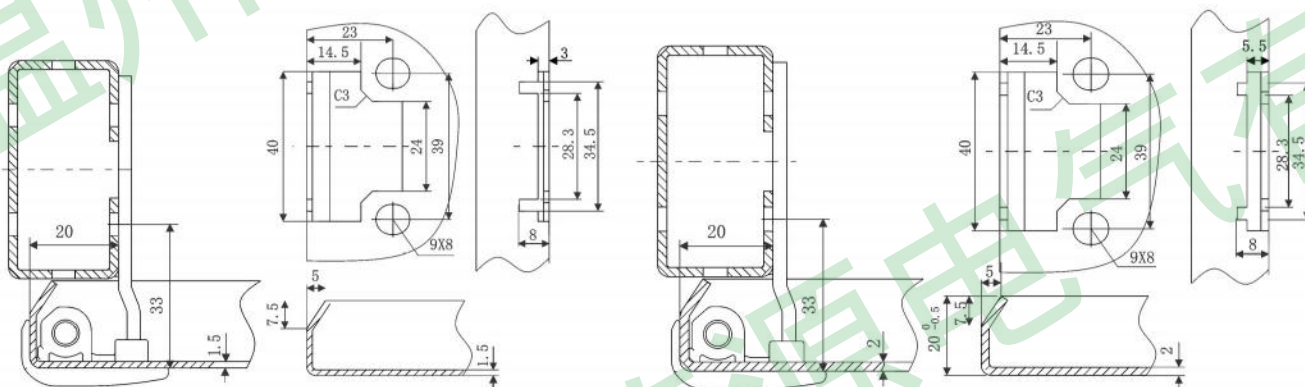


大门明铰链  
Door Hinge



说明:开门角度大于120度,满足国网柜撞击和挂重要求;安装孔为腰孔可调节门缝

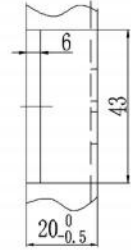
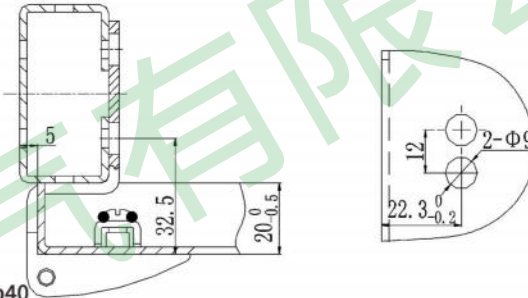
Note: The door opening angle is greater than 120degrees, which meets the requirements of the impact and hanging weight of the state grid switchgear; The installation hole is at waist hole and the door seam can be adjusted.



1.5mm厚门板开孔尺寸  
1.5mm thick door panel opening size

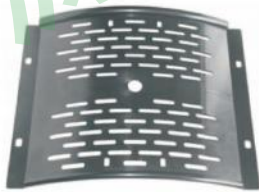
2mm厚门板开孔尺寸  
2mm thick door panel opening size

大门明铰链 D8PT535-5  
Door light hinge D8PT535-5

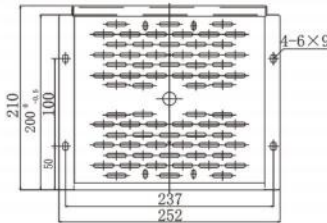


说明: 开门角度大于 180 度, 防护等级 Ip40

Description: The opening Angle is greater than 180 degrees, the protection grade is Ip40



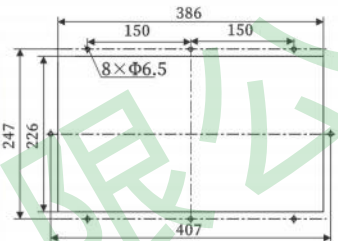
DTL-1.10081 分段式封闭罩  
Sectional enclosure



分段式封闭罩安装示意图  
Sectional enclosure



DLT1.16柜顶通风罩  
DLT1.16 ventilation shield

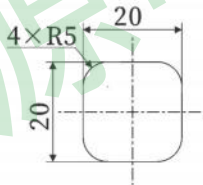


柜顶通风罩开孔图  
Opening diagram of cabinet top ventilation hood

大门门锁  
The door lock



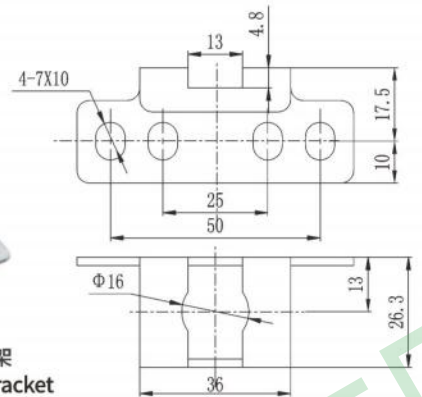
DMS3.31 解锁门锁  
DMS3.31 Unlock door lock



门锁开孔  
The door opening



DMS3.32001 门锁支架  
DMS3.32001 Door lock bracket



连接件  
Fittings



GLBK 400 006P1 撑角 (撑板)  
Brace Angle (brace plate)



GLBK 400 007P1 带定位角板  
with positioning Angle plate



DLT1.11001 连接支架  
Connecting bracket



GLBK 400 004P2 五孔压板  
Five-hole platen

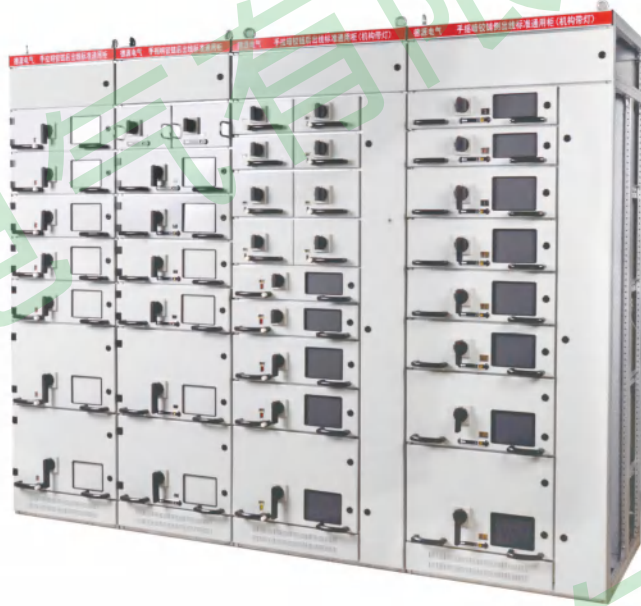
053 通用型(三代)低压配电柜附件

# 通用型低压配电柜附件(二代)

GENERAL LOW-VOLTAGE SWITCHBOARD ACCESSORIES (SECOND GENERATION)

## 通用型低压配电柜附件(二代)

### Universal Low Voltage Switchgear Accessories(2nd Generation)



#### 柜体介绍

新结构通用型低压抽出柜是集国内外多种低压抽出式开关柜的优点,并在此基础上对部分专用器件、接插件、单元抽屉结构进行优化、改进、创新而设计制造的一种新型低压抽出式开关柜。该柜型结构简单,造型美观,接插功能可靠,操作机构结构新颖,功能齐全,是一种性价比较高的新柜体。

#### 特点

- ①柜体框架结构采用了新型C型钢组装,型钢截面设计新颖,强度远大于原C型钢截面设计,该型钢组装柜体无需改变任何结构设计,即可替代原C型钢组成的柜体。
- ②该柜体采用明暗二种结构的铰链,可任意选用。该二种结构铰链的使用改变了原柜体使用铰链的组装机构(或焊接结构),除造型设计美观外,还加强了门铰链的使用强度。
- ③该柜型抽出式功能单元外形尺寸标准化程度高,高度尺寸采用25模数值,可组装成高度为150、200、300、400、600等模数值内的单元抽屉。1/2单元抽屉配套使用电路分配转接器,可以制作高度为150、200的小单元抽屉。
- ④新型一次旁出线接插件(DCT2)的设计使用,简化了原来一次旁出转接件的结构,并与后出线插件结构保持一致。其具有接插性能更可靠,安装方便,性价比优越的特点。

#### Cabinet Introduction

The new structure universal low-voltage extraction cabinet is a collection of the advantages of a variety of low-voltage extraction switchgear at home and abroad, and on this basis, some special devices, connectors, Unit drawer structure optimization, improvement, innovation and design and manufacture of a new type of low-pressure extraction switchgear. The cabinet type is simple in structure, beautiful in shape, and connected Reliable plug function, novel operating mechanism structure, complete function, is a cost-effective new cabinet.

#### Features

- ①The cabinet frame structure adopts the new C-type steel assembly, the steel section design is novel, the strength is much greater than the original C-type steel section design, and the steel assembly cabinet is unnecessary Change any structural design, can replace the original C - steel cabinet.②the cabinet adopts two kinds of hinge structure of light and dark, can be arbitrarily selected. The use of the two structural hinges changes the assembly mechanism (or welding) of the original cabinet using hinges Connect structure), BESIDES MODELLING DESIGN BEAUTIFUL, also strengthened THE use strength of door hinge.③the cabinet type out of the functional unit size of a high degree of standardization, height size of 25 modulus value, can be assembled into a height of 150, 200, 300, 400,600 equal modulus value within the unit drawer. 1/2 unit drawer is equipped with circuit distribution adapter, which can make small unit drawer with height of 150 and 200.④The design and use of the new primary side outlet connector (DCT2) simplifies the structure of the original primary side outlet adapter, and is consistent with the structure of the post-outlet dynamic plug-in.It has the characteristics of more reliable insertion performance, convenient installation and superior cost performance.

## DLS5型手拉1/2单元抽屉

DLS5 Series Hand Pull Unit 1/2 Drawer

名称 name	型号 model	数量 quantity
电路分配转接器 Circuit distribution condapter	DXFZ系列Series	1
一次插接件 Primary connectors	DLC1.2221	4
二次插接件 Secondary connectors	DJCF3.3_	2
手拉机构 Hand pull mechanism	DLS5.1C	2
分合闸手柄 Opening and Closing Handle	NGCSB-005	2
拉手部件 Handle parts	DLS5.114	2



### 结构特点: Structure character

- 1、小抽屉采用手拉结构, 抽屉空间大, 加工制作简单安装方便。
  - 2、抽屉最大电流至125A, 可以实现三位置操作显示功能。
  - 3、按住拉手上的解锁按钮推进抽屉到要求位置, 分合闸手柄合闸后抽屉无法进出, 解锁按钮被锁定。
- 1.Hand pull structure for small unit drawer with more space, and simple installation
  - 2.Drawer maximum current up to 125A, which can get three-position operation.
  - 3.Press the unlock button on the handle to push in the drawer, and then when handle in closing, drawer cannot draw in, and unlock button locked.

## DJG-7型手摇1/2单元抽屉

DJG-7 Series Hand Cranked Unit 1/2 Drawer

名称 name	型号 model	数量 quantity
电路分配转接器 Circuit distribution condapter	DXFZ系列Series	1
一次插接件 Primary connectors	DLC1.2221	4
二次插接件 Secondary connectors	DJCF3.3_	2
手摇机构 Hand operated mechanism	DJG-7.1C	2
分合闸手柄 Opening and Closing Handle	NGCSB-005	2
拉手(塑料) Handle(Plastic)	DXTC-3.10001	4



### 结构特点: Structure character

- 1、小抽屉采用手摇结构, 抽屉空间大, 加工制作简单安装方便。
  - 2、抽屉最大电流至125A, 可以实现三位置操作显示功能。
  - 3、在起始位置时对准"分离"顺时针摇进抽屉, 主开关合闸后摇把孔被堵住, 无法操作抽屉, 当分闸后, 逆时针可摇出抽屉。
- 1.Hand cranked structure for small unit drawer with more space, and simple installation
  - 2.Drawer maximum current up to 125A, which can get three-position operation.
  - 3.Hand swing the drawer in alignment of "Isolation" in clockwise, handle will be blocked after main switch closing, cannot operate the drawer; When opening, drawer will be out by anti-clockwise operation

## DJG-4型手拉1/2单元抽屉

### DJG-4 Series Hand Pull Unit 1/2 Drawer

名称 name	型号 model	数量 quantity
电路分配转接器 Circuit distribution condapter	DXFZ系列 Series	1
一次插接件 Primary connectors	DLC1.2221	4
二次插接件 Secondary connectors	DJCF3.3_	2
小联锁机构 Small interlocking mechanism	DJG-4	2
抽屉面板 Drawer panel	DXTC-2.33101	2
分合闸手柄 Opening and Closing Handle	HANL 100 018R1	2
拉手部件 Handle parts	DTC-1.114	4



#### 结构特点: Structure character

- 1、小抽屉采用小联锁机构和塑料面板，底板采用铝型材，安装方便。
- 2、抽屉最大电流至125A,抽屉侧板可选塑料材质。

- 1.small interlocking mechanism and plastic panels in small unit drawer, aluminum bottom plate ,easy assembly.
- 2.Maximum current of the drawer up to 125A, side plate can be in plastic

## DLS6型手拉单元抽屉

### DLS6 Series Hand Pull Unit Drawer

#### ■ 功能及操作简介

##### Function And Operation

该抽屉机构为手拉推进式操作机构，操作简单方便，锁定可靠。抽屉高度H=150;200;300;400;600

抽屉机构具有三位置显示，定位，锁定联锁功能,手柄高度H=69、82、119三种。

抽屉为后出线结构，抽屉电流80A、125A、160A、250A、400A、630A。

实验位置到工作位置的行程为24mm。实验位置:一次断开,二次连接。连接位置:一次,二次均连接。

机构在实验位置，工作位置可按照要求具备单个位置最多二开二闭转换开关。常规配置在实验位置只提供一开一闭转换开关。

抽屉可以在按住左拉手上的解锁按钮推进抽屉到要求位置，分合闸手柄合闸后机构锁杆透过抽屉底板插入分层隔板上，抽屉无法进出，同时机构解锁按钮被锁定，手柄分闸后解锁按钮方可以动作，抽屉可以抽出。

Hand pull type operation mechanism, simple operation, reliable block, drawer height: 150MM;200MM; 300MM;400MM;600MM

The operating mechanism has three position display:Display, Location, Lock;Handle height H= 69MM,82MM,119MM

Drawer in back outgoing structure, current in 80A, 125A, 160A, 250A, 400A, 630A.

Travel distance from test to working position is 24mm. TEST position: primary break, secondary connection; CONNECTION position: primary and secondary all in connection.

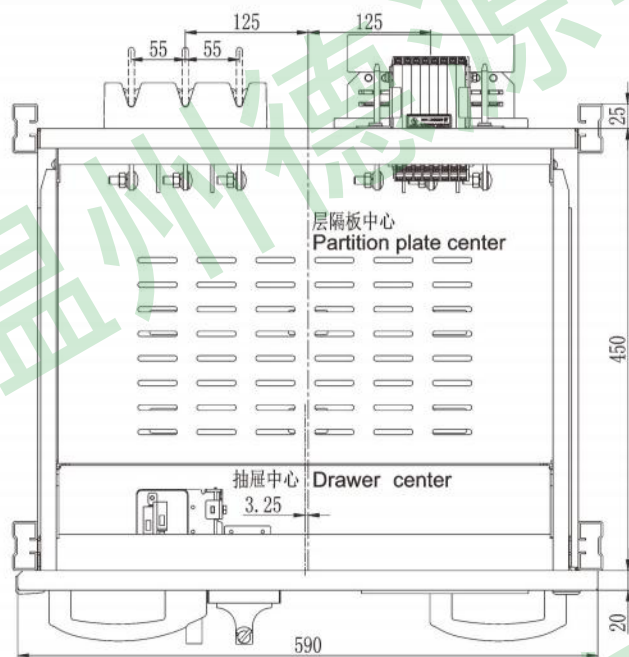
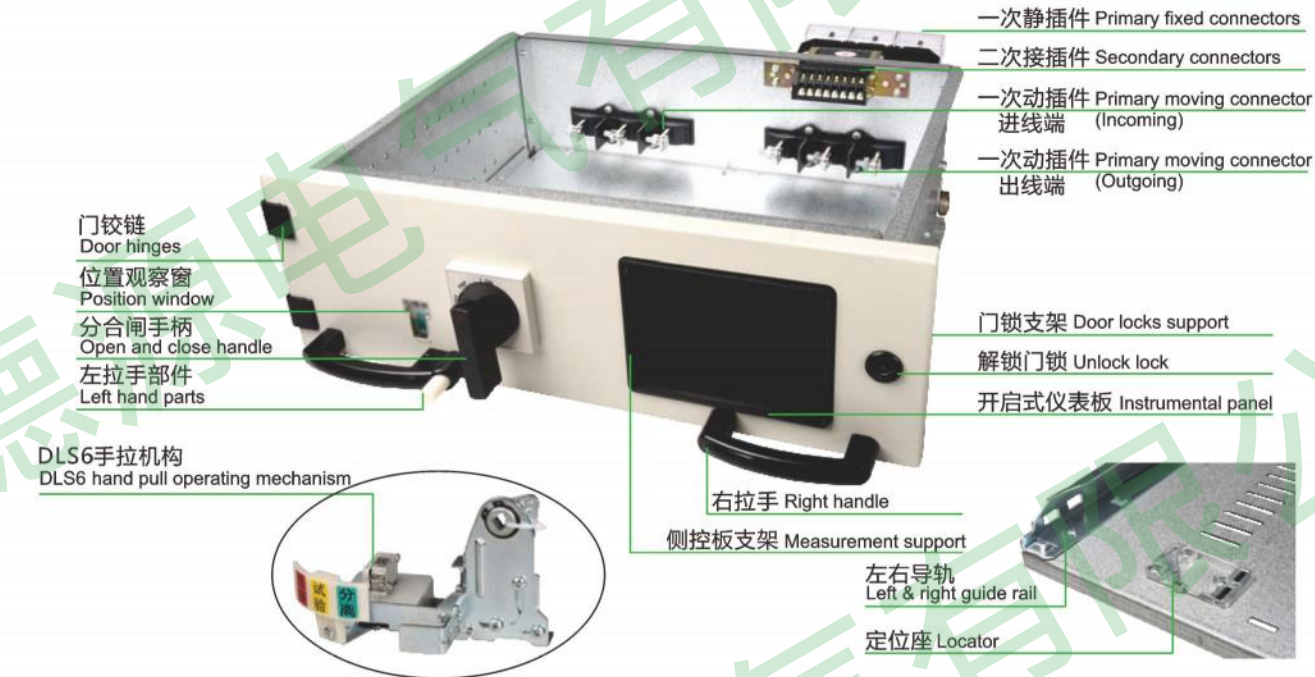
When mechanism in TEST position, and the working position can be equipped with a maximum of a single position in 2ON-2OFF switcher as required. Normal type in Test position with 1ON-1OFF switcher

The drawer can be pushed to the required position by pressing and holding the unlock button on the left pull hand. After the closing handle is closed, the mechanism lock handle is inserted into the stratified partition through the bottom board of the drawer, and the drawer cannot be entered ,at the same time, the mechanism unlock button is locked. After the handle is opened, the unlock button can move and the drawer can be drawn out.

——通用型低压配电柜附件(二代)

**DLS6型手拉单元抽屉**

DLS6 Series Hand Pull Operation Drawer



名称 name	型号 model	数量 quantity
手拉推进机构 Hand pull mechanism	DLS6	1
一次动插件(进线) Primary moving connector (Incoming)	DCT6C-B-	1
一次动插件(出线) Primary moving connector (Outgoing)	DCT6C-B-	1
一次静插件 Primary fixed connectors	DCZ6-B-	1
二次接插件 Secondary connectors	DRC2-	1
门铰链 Door hinges	DJL3-7.1	1
门锁 Door locks	DMS3.31	1
仪表板 Instrumental panel	DCT-2.313	1
右拉手 Right handle	DLS3.10002	1
分合闸手柄 Open and close handle	NGCSB-	1
左拉手部件 Left hand parts	DLS5.114	1

## DJG- 7型手摇单元抽屉

### DJG-7 Series Hand Cranked Operation Drawer

#### ■ 功能及操作简介

##### Function And Operation

该抽屉机构为手摇推进式操作机构,操作简单方便,操作力小,锁定可靠。抽屉高度H=150;200;300;400;600

操作机构适用于操作力大抽屉,具有三位置显示,定位,锁定联锁功能,手柄高度H=69、82、119三种。

抽屉为后出线结构,抽屉电流80A、125A、160A、250A、400A、630A。

实验位置到工作位置的行程为24mm。实验位置:一次断开,二次连接。连接位置:一次,二次均连接。

机构在实验位置,工作位置可按照要求具备单个位置最多二开二闭转换开关。常规配置在实验位置只提供一开一闭转换开关。

抽屉在起始位置时对准"分离"顺时针摇进抽屉,抽屉到位后取出摇把主开关可以合闸,开关合闸后摇把孔被堵住,抽屉无法操作,只有当分闸后,逆时针摇动方可摇出抽屉。

Hand cranked type operation mechanism, simple operation, reliable block, drawer height: 150MM;200MM; 300MM;400MM;600MM

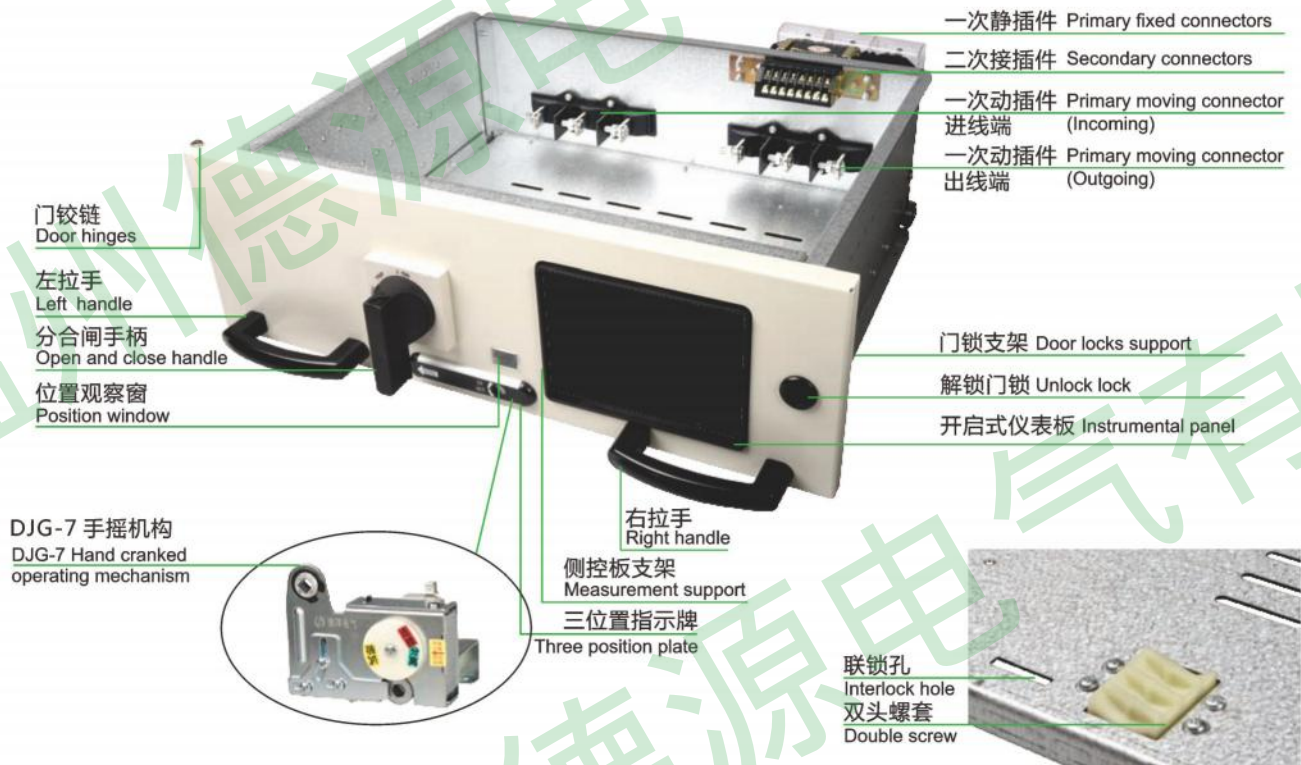
The operating mechanism has three position display:Display, Location, Lock;Handle height H= 69MM,82MM,119MM

Drawer in back outgoing structure, current in 80A, 125A, 160A, 250A, 400A, 630A.

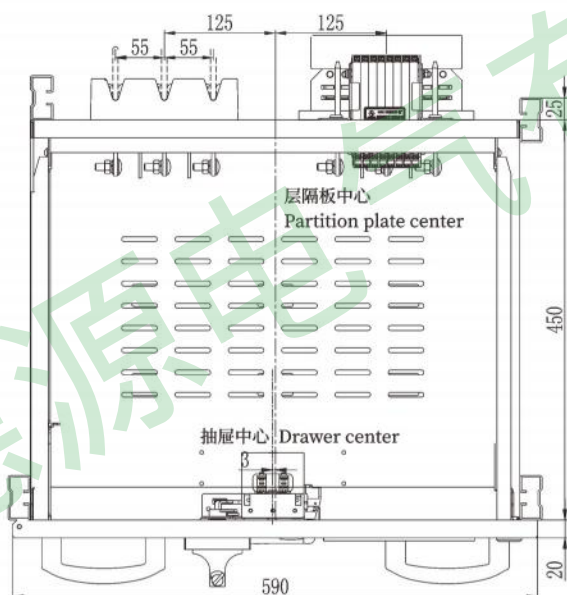
Travel distance from test to working position is 24mm. TEST position: primary break, secondary connection; CONNECTION position: primary and secondary all in connection.

When mechanism in TEST position, and the working position can be equipped with a maximum of a single position in 2ON-2OFF switcher as required. Normal type in Test position with 1ON-1OFF switcher

Clockwise into the drawer from initial position of alignment of the "Isolation", take off the handle after drawer in position, main switch can be closed, when switch closed, the switch rocker hole is blocked, the drawer can not be operated. Only when anti-clockwise on opening, the drawer can be drawn out.



## ——通用型低压配电柜附件(二代)



名称 name	型号 model	数量 quantity
手拉推进机构 Hand pull mechanism	DJG-7-	1
一次动插件(进线) Primary moving connector (Incoming)	DCT6C-B-	1
一次动插件(出线) Primary moving connector (Outgoing)	DCT6C-B-	1
一次静插件 Primary fixed connectors	DCZ6-B-	1
二次插接件 Secondary connectors	DRC2-	1
门铰链 Door hinges	DJL3-4	1
门锁 Door locks	DMS3.31	1
仪表盘 Instrumental panel	DCT-2.313	1
右拉手 Right handle	DLS3.10002	2
分合闸手柄 Open and close handle	NGCSB-	1

**DJG-7型手摇侧出线单元抽屉****DJG-7 Series Hand Cranked Operation Side Outgoing Drawer****■ 功能及操作简介****Function And Operation**

该抽屉机构为手摇推进式操作机构，操作简单方便，操作力小，锁定可靠。抽屉高度H=150;200;300;400;600

抽屉适用于操作力大抽屉，具有三位置显示，定位，锁定联锁功能，手柄高度H=69、82、119三种。

抽屉为侧出线结构，抽屉电流125A、250A、400A、630A。

实验位置到工作位置的行程为24mm。实验位置：一次断开，二次连接。连接位置：一次，二次均连接。

机构在实验位置，工作位置可按照要求具备单个位置最多二开二闭转换开关。常规配置在实验位置只提供一开一闭转换开关。

抽屉在起始位置时对准“分离”顺时针摇进抽屉，抽屉到位后取出摇把主开关可以合闸，开关合闸后摇把孔被堵住，抽屉无法操作，只有当分闸后，逆时针摇动方可摇出抽屉。

Hand cranked type operation mechanism, simple operation, reliable block, drawer height: 150MM;200MM; 300MM;400MM;600MM

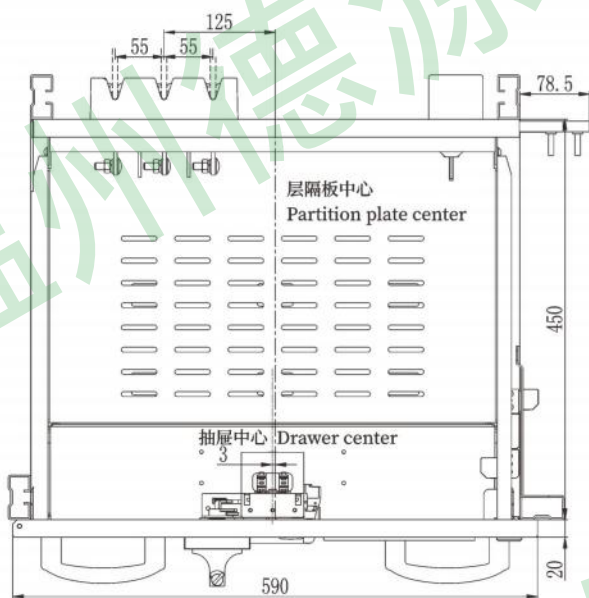
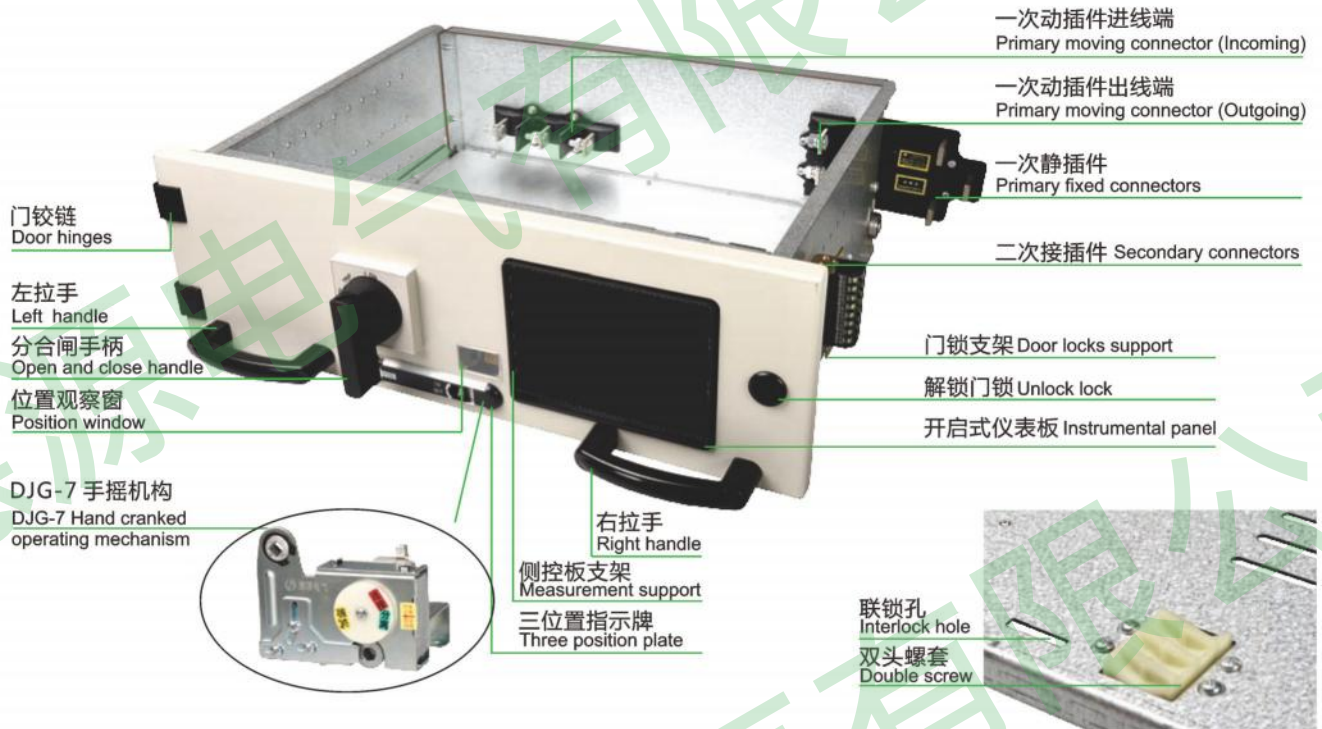
The operating mechanism has three position display: Display, Location, Lock; Handle height H= 69MM,82MM,119MM

Drawer in back outgoing structure, current in 80A, 125A, 160A, 250A, 400A, 630A.

Travel distance from test to working position is 24mm. TEST position: primary break, secondary connection; CONNECTION position: primary and secondary all in connection.

When mechanism in TEST position, and the working position can be equipped with a maximum of a single position in 2ON-2OFF switcher as required. Normal type in Test position with 1ON-1OFF switcher

Clockwise into the drawer from initial position of alignment of the "Isolation", take off the handle after drawer in position, main switch can be closed, when switch closed, the switch rocker hole is blocked, the drawer can not be operated. Only when anti-clockwise on opening, the drawer can be drawn out.



名称 name	型号 model	数量 quantity
手拉推进机构 Hand pull mechanism	DJG-7-	1
一次动插件(进线) Primary moving connector (Incoming)	DCT6C-B-	1
一次动插件(出线) Primary moving connector (Outgoing)	DCT2-B-	1
一次静插件 Primary fixed connectors	DCZ2-B-	1
二次插接件 Secondary connectors	DJCF2	1
门铰链 Door hinges	DJL3-7.1	1
门锁 Door locks	DMS3.31	1
仪表板 Instrumental panel	DCT-2.313	1
右拉手 Right handle	DLS3.10002	2
分合闸手柄 Open and close handle	DNGSB-	1

## DLS-5型手拉机构(适用于1/2单元抽屉)

### PLS-5 Series Hand-pull Operating Mechanism ( For Unit 1/2 Drawer)

#### 功能简介

- ①该机构为手拉推进式操作机构,操作简单方便,锁定可靠。
- ②具有三位置显示,定位,锁定联锁功能,手柄高度H= 69和82两种。
- ③实验位置到工作位置的行程为24mm。
- ④电操功能机构可在实验位置工作位置同时具备一开一闭转换开关。

#### Function Introduction

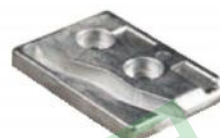
- ①The mechanism is a Hand-pull operation mechanism, which is easy to operate and reliable to lock
  - ②Three position:Display, Location, Lock interlocking; Handle height H= 69MM,82MM.
  - ③Travel distance from test to working position is 24mm.
  - ④LED Indicator light mechanism shows yellow when in TEST ,red when in Work position. It can indicate drawer position quickly
- The electric operation mechanism can be equipped with 1ON-1OFF for Test and Work at the experimental position.



DLS5 手拉机构H= 82  
DLS5 Hand pull mechanism H=82

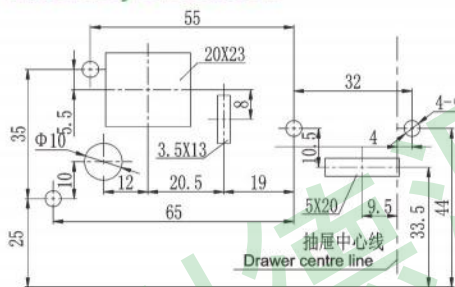


DLS3.10003 指示窗  
DL S3.10003 Display window

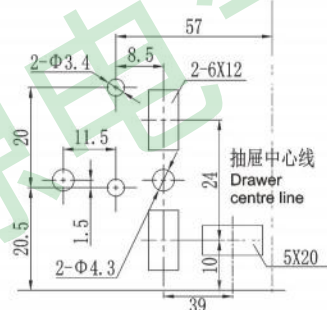


DLS5.11011 定位板  
DLS5.11011 Position plate

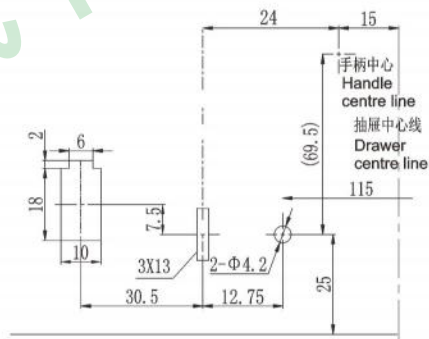
## 安装尺寸图 Assembly Dimension



抽屉底板开孔图  
Drawer baseplate hole drawing

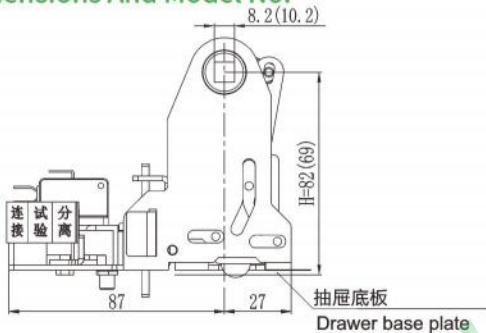


抽屉层板开孔图  
Drawer layerplate hole drawing



抽屉面板开孔图  
Drawer panel opening drawing

## 产品外形及型号 Dimensions And Model No.



## 产品型号表 Model List

型号 Model No.	功能 Function	常规型号 Regular Model	电操型号 motor No.
H=82	高度Height	DLS5.1C	DLS5.1D
H=69		DLS5.2C	

## 定货须知 Order Information

订货时请注明机构详细功能及型号。

如有疑问请联系我司技术部,可提供参考抽屉图纸。

Please specify the function and model no. when ordering.

If any questions, please contact our technical department for drawing of the drawer for reference.

## DLS-6型手拉机构(适用于单元抽屉)

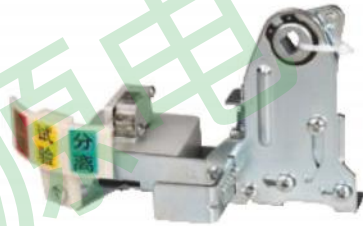
### DLS-6 Series Hand-pull Operating Mechanism (For Unit Drawer)

#### ■ 功能简介

- ①具有三位置显示,定位,锁定联锁功能手柄高度 H=69、82、119三种。
- ②实验位置到工作位置的行程为24mm。
- ③电操功能机构可在实验位置,工作位置同时具备一开一闭转换开关。

#### Function Introduction

- ① Three position: Display, Location, Lock interlocking; Handle height H=69MM,82MM.
- ② Travel distance from test to working position is 24mm.
- ③ The electric operation mechanism can be equipped with 10N-10OFF for Test and Work at the experimental position.



DLS6 手拉机构 H=82  
DLS6 Hand pull mechanism H=82



DLS3.10004 指示窗  
DL S3.10004 Display window



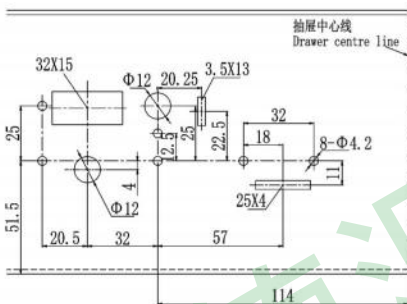
DLS6.11008 定位座  
DLS6.11008 Position plate



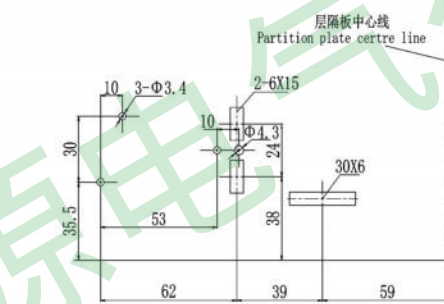
DLS6.11012 三位置定位座  
Three position positioning seat

## 安装尺寸图

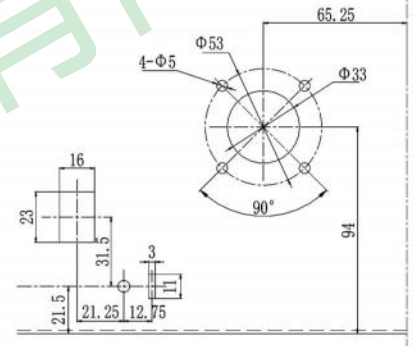
### Assembly Dimension



抽屉底板开孔图  
Drawer baseplate hole drawing



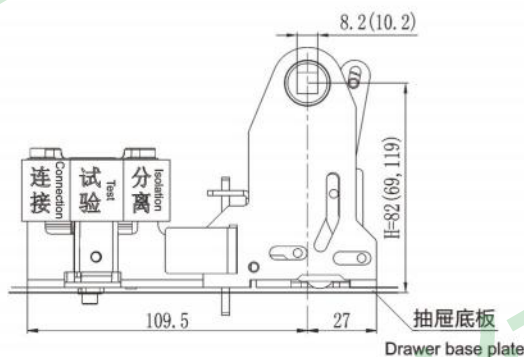
抽屉层板开孔图  
Drawer layerplate hole drawing



抽屉面板开孔图  
Drawer panel opening drawing

## 产品外形及型号

### Dimensions And Model No.



## 产品型号表 Model List

型号 Model No.	功能 Function	常规型号 Regular Model	电操型号 Motor No.	方杆尺寸 Shaft size
H=82		DLS6.1C		8X8
H=69		DLS6.2C	DLS6.1D	8X8
H=119		DLS6.3C		10X10

## ■ 定货须知 Order Information

订货时请注明机构详细功能及型号。

如有疑问请联系我司技术部,可提供参考抽屉图纸。

Please specify the function and model no. when ordering.

If any questions, please contact our technical department for drawing of the drawer for reference.

## DJG-7型手摇机构(适用于单元抽屉)

### DJG-7 Series Hand-cranked Mechanism (For Unit Drawer)

#### ■ 结构特点

- ① 机构采用双头螺杆结构,材质为高强度耐磨工程塑料,适用于操作力大的抽屉单元,比普通机构省一半的操作力。
  - ② 具有连接、试验、抽出三位置文字显示并有声音提示
  - ③ 电操功能机构可在实验位置,工作位置同时具备独立的一开一闭转换开关。
- 试验位置到工作位置行程24mm,增装限位导轨可以提高抽屉精度并减少机构安装板变形带来插拔困难。

#### ■ 工作位置说明

- 分离位置:**此位置抽屉可以推进和抽出,位置显示“分离”。摇进抽屉,要处于分离位置。
- 试验位置:**从分离位置顺时针旋转机构,抽屉向前移动到显示“实验”位置,微动开关连接,二次回路接通,主开关可以进行分合闸实验。抽屉锁定不能进出。
- 连接位置:**从实验位置顺时针旋转机构,抽屉向前移动到位置显示“连接”微动开关断开。一次,二次回路接通,主开关可以合闸,机构锁定,抽屉锁定不能进出。

#### Structure Features

- ① The mechanism adopts double-head screw structure with high strength and wear-resisting engineering plastics, which is suitable for large operating force, saving half of operating force compared with ordinary mechanism.
- ② With three function: connection, test and drawout in text display and voice prompt; With optional LED indicator light mechanism in yellow at TEST position and red in Work position, which can better indicate the actual position of the drawer and realize the function of sound.
- ③ Travel from the test position to the working position is 24mm. Installing the limit guide rail can improve the precision of the drawer and reduce the difficulty of inserting and removing caused by the deformation of the installation plate of the mechanism.

#### Working Position Instruction

**Separation position:** this position drawer can be pushed and pulled out, the position shows "Separation", Draw-in the drawer to be in theseparation position.

**Test position:** Rotate the mechanism in clockwise from the separation position to Test position, Micro switch connection, the secondary circuit is connected, the main switch can be on and off. The drawer is locked, and cannot be drawn-out

**Connection position:** Rotate the mechanism in clockwise from the test position and move the drawer to the connection position, microswitch is disconnected. Primary, secondary circuit connected, main switch can be closed, mechanism locked, drawer locked and cannot be drawn-out.



DJG-7手摇机构  
DJG-7 Hand-cranked mechanism



DLS3.10004指示窗  
DLS3. 10004 Display Window



DJG-8.11012限位导轨  
DJG8.11012 L imit Guide Rail



DJG-7.11011双头螺套  
DJG-7.11011 Double Screw



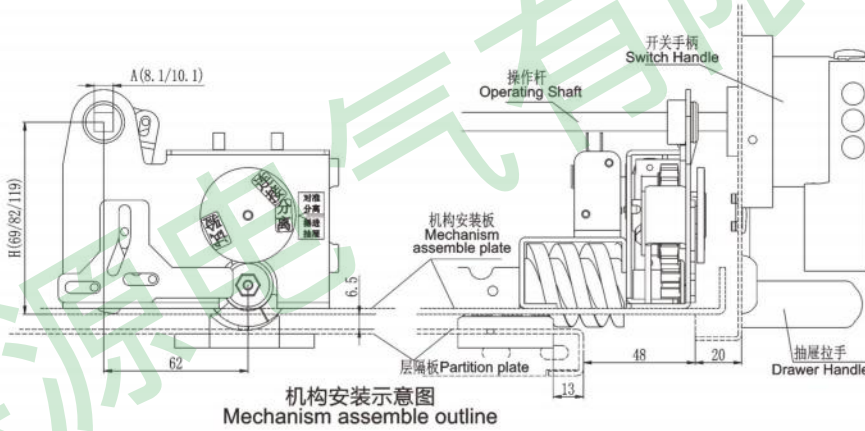
DJG-7.117三位置指示牌  
DJG7.1 17 Three Position Display



DJG-8.16摇把  
DJG-8.16 Crank Handle

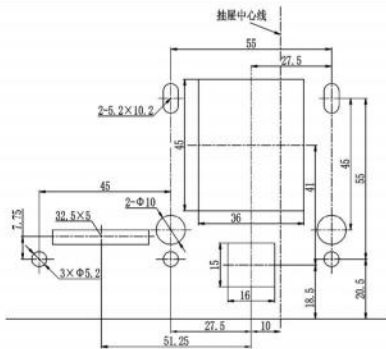
DJG-7型手摇机构安装示意图及并孔图

DJG-7 Series Hand Crank Operating Mechanism Assemble And Hole Dimensions

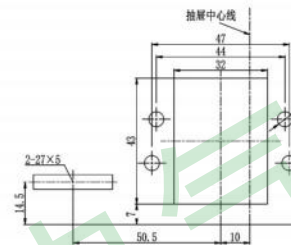


H	型号 Model No.	电操型号 Electric operating model	方杆 Square shaft
82	DJG-7.1C	DJG-7.D	8X8
	DJG-7.1C-1		10X10
69	DJG-7.2C	DJG-7.D	8X8
	DJG-7.2C-1		10X10
119	DJG-7.3C	DJG-7.D	8X8
	DJG-7.3C-1		10X10

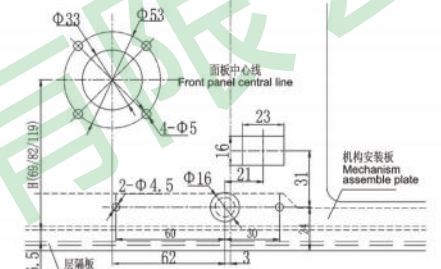
机构型号表  
Mechanism Model List



Mechanism assembly plate hole dimensions



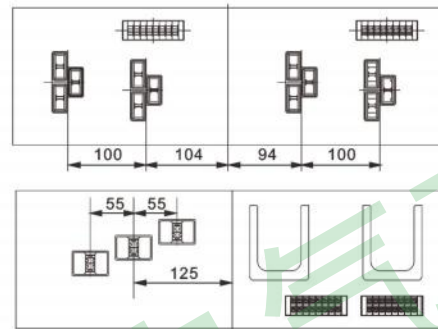
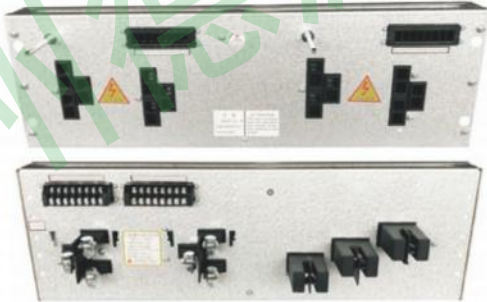
Layer partition hole dimension



Drawer front panel hole dimensions (Regular)

DXFZ-8B型三极125A后出线薄型电路分配转接器

DXFZ-8B Type 3Poles 125A back wiring thin-type circuit distribution condapter



产品型号 Model No. And specification	外形尺寸 Overall dimensions	备注 Note
DXFZ-8.1B/16	175X549X45	KB型材 开档550 KB Profile Open size 550
DXFZ-8.3B/16	175X539X45	KS型材 开档540 KS Profile Open size 540
DXFZ-8.4B/16	125X549X45	KB型材 150抽屉 KB Profile Open size 150
DXFZ-8.5B/16	135X539X45	KS型材 开档540 KS Profile Open size 540

技术参数 :

1. 额定工作电压 AC690V;
2. 额定绝缘电压 1000V;
3. 额定工作电流 不大于125A;
4. 工频耐受电压 2500V/Min;
5. 二次线数量(单抽) 16、24、32线

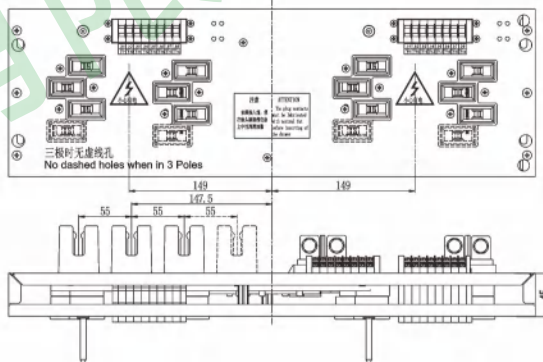
Technical parameters :

1. Rated working voltage AC690V
2. Rated insulation voltage 1000V
3. Rated working current Less than 125A;
4. Power frequency withstand voltage: 2500V/Min;
5. Number of secondary lines (single drawing) 16, 24, 32 wires

## ——通用型低压配电柜附件(二代)

## DXFZ-9四(三)极125A后出线薄型电路分配转接器

## DXFZ-9 Series 3Poles 125A back wiring thin-type circuit distribution condapter



此规格产品三极四极同柜时母线不用非标折弯仍为垂直排  
When 3Poles and 4Poles are in one cubicle, busbar is still in vertical type, no need to customized bending

产品型号 Model No. And specification	相数 Poles	外形尺寸 Overall dimensions	备注 Note
DXFZ-9S.11/16	4极:4P	175X549X45	KB型材 开档550 KB Profile Open size 550
DXFZ-9S.13/16	4极:4P	175X539X45	KS型材 开档540 KS Profile Open size 540
DXFZ-9S.21/16	3极:3P	175X549X45	KS型材 开档550 KS Profile Open size 550
DXFZ-9S.23/16	3极:3P	175X539X45	KS型材 开档540 KS Profile Open size 540

## 技术参数:

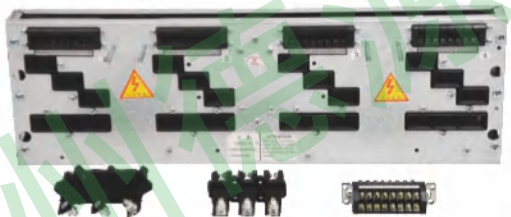
1. 额定工作电压 AC690V;
2. 额定绝缘电压 1000V;
3. 额定工作电流 不大于125A;
4. 工频耐受电压 2500V/Min;
5. 二次线数量(单抽) 16、24、32线

## Technical parameters:

1. Rated working voltage AC690V
2. Rated insulation voltage 1000V
3. Rated working current Less than 125A;
4. Power frequency withstand voltage: 2500V/Min;
5. Number of secondary lines (single drawing) 16, 24, 32 wires

## DXFZ-5型三极8E/4薄型电路分配转接器

## DXFZ-5 Series 3Poles 8E/4 thin-type circuit distribution condapter



DXFZ-5S.1/16 8E/4后出线转接单元  
DXFZ-5S.1/16 8E/4 Back wiring condapter



DXFZ-5S.3/16 混装侧出线转接单元  
DXFZ-5S.3/16 Mixed type side wiring condapter

产品型号 Model No. And specification	外形尺寸 Overall dimensions	出线方式 Outgoing ways	备注 Note
DXFZ-5S.1/16	4个8E/4 4 Sets 8E/4	后出线 Back wiring	
DXFZ-5S.2/16	4个8E/4 4 Sets 8E/4	旁出线 Side wiring	
DXFZ-5S.3/16	左8E/4 右8E/2 Left 8E/4, Right 8E/2	旁出线 Side wiring	带端子盒 With terminal box
DXFZ-5S.4/16	左8E/4 右8E/2 Left 8E/4, Right 8E/2	后出线 Back wiring	带端子盒 With terminal box

## 技术参数:

1. 额定工作电压 AC660V;
2. 额定绝缘电压 690V;
3. 额定工作电流 不大于63A;
4. 工频耐受电压 2500V/Min;
5. B相中心到隔板中心 125mm;

## Technical parameters:

1. Rated working voltage AC660V
2. Rated insulation voltage 690V
3. Rated working current Less than 63A;
4. Power frequency withstand voltage: 2500V/Min;
5. Phase B centre to partition plate centre 125mm

注: 1. 除DXFZ5.1外其他带1/4抽屉的转接单元在使用时请注意柜体中间型材均按照侧出线时型材位置布置(同标准型柜型)。

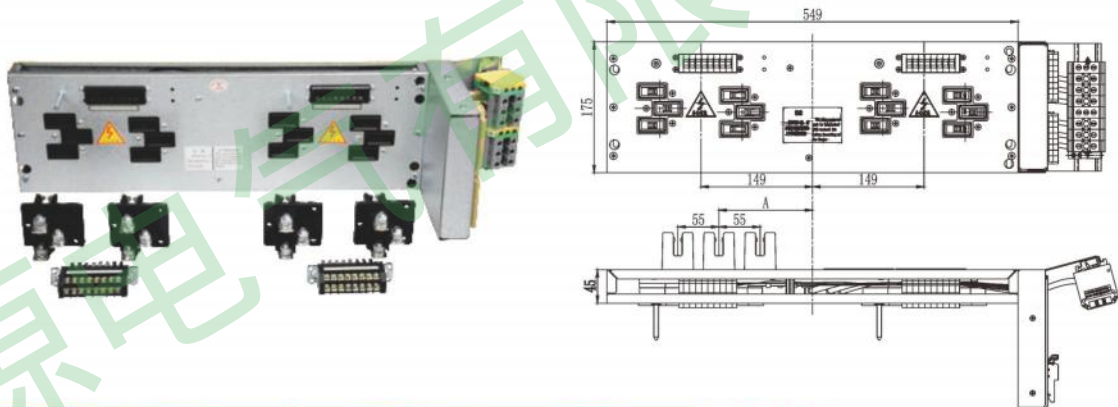
2. 混装的转接单元: 1/2抽屉可以按照24线加工, 请注明是按照298抽屉中心距离还是按照283抽屉中心距离加工。

Note: 1. When condapter is for 1/4 drawer switchgear middle profile, Please pay attention the side wiring profile will be used (Same as standard cubicles)

2. Mixed type condapter unit: 1/2 drawer will be in 24 wires, please specify drawer central distance in 298MM or 283MM

**DXFZ-8(9)型三(四)极125A旁出线薄型电路分配转接器**

DXFZ-8(9) Series 3(4)Poles 125A side wiring thin-type circuit distribution condapter



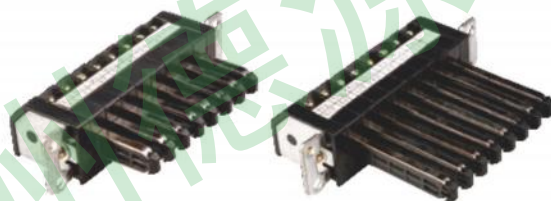
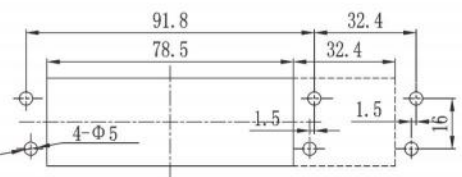
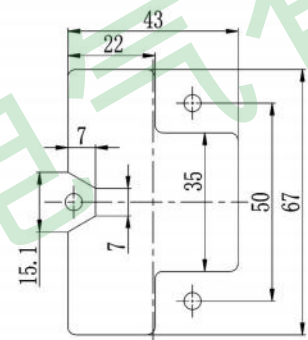
产品型号 Model No. And specification	相数 Poles	A	外形尺寸 Overall dimensions	备注 Note
DXFZ-8.21B/16	3极:3P	125	175X549X45	KB型材 开档550 KB Profile Open size 550
DXFZ-9S.31/16	4极:4P	147.5	175X549X45	KB型材 开档550 KB Profile Open size 550
DXFZ-9S.33/16	4极:4P	147.5	175X539X45	KS型材 开档540 KS Profile Open size 540
DXFZ-9S.41/16	3极:3P	147.5	175X549X45	KB型材 开档550 KB Profile Open size 550
DXFZ-9S.43/16	3极:3P	147.5	175X539X45	KS型材 开档540 KS Profile Open size 540

**技术参数:**

1. 额定工作电压 AC690V;
  2. 额定绝缘电压 1000V;
  3. 额定工作电流 不大于125A;
  4. 工频耐受电压 2500V/Min;
  5. 二次线数量(单抽) 16, 24, 32线
- Technical parameters:**
1. Rated working voltage AC690V
  2. Rated insulation voltage 1000V
  3. Rated working current Less than 125A;
  4. Power frequency withstand voltage: 2500V/Min;
  5. Number of secondary lines (single drawing) 16, 24, 32 wires

**DXFZ系列薄型转接器一次,二次插头**

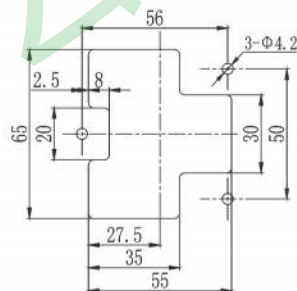
DXFZ series condapter primary and secondary connectors


 DJCF5.31/\_ (短)  
 DJCF3.31/\_ (长)  
 二次插头  
 DJCF5.31/\_ (Short)  
 DJCF3.31/\_ (Long)  
 Secondary plugs

 DLC1.2221  
 125A一次插头  
 DLC1.2221  
 125A Primary plug


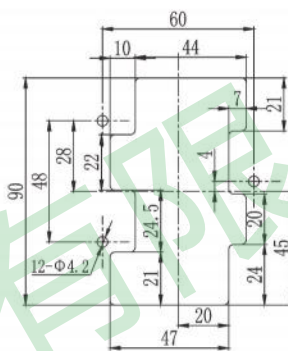
——通用型低压配电柜附件(二代)



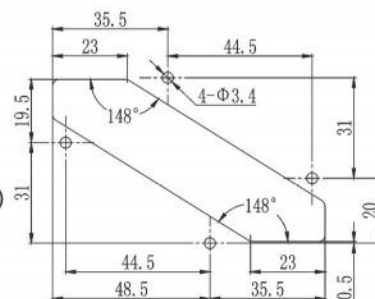
DXTC-1.313  
3极125A一次插头  
3Poles 125A primary plugs



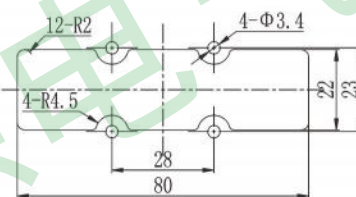
DXTC-1.322  
4极125A一次插头  
4Poles 125A primary plugs



DXTC-1.371(63A)  
进线插头(8E/4)  
Incoming plugs(8E/4)



DXTC-1.372(63A)  
出线插头(8E/4)  
Outgoing plugs(8E/4)



## DCT(Z)6型主电路接插件 (后出)

DCT(Z) Type 6 Main Circuit connector (Rear Wiring)

### 型号及含义

Type And Meaning

DC□□-□□-□□A

额定电流  
 Rated current  
 极数  
 Number of poles  
 相距代号 (B为55mm)  
 Phase Distance (B=55mm)  
 设计序号  
 Design code  
 T为插头、Z为插座  
 T for plug, Z for socket  
 接插件  
 Connector  
 温州德源电气有限公司  
 Wenzhou Deyuan Electric Co., Ltd.

### 主要技术参数

Main Technical Parameters

额定电压: AC690V

额定电流: 80A、125A、250A、400A、630A

额定绝缘电压: 1000V

工频耐受电压: 3500V

垂直母线相距: 55mm

垂直母线厚度: 6mm

Rated voltage: AC690V

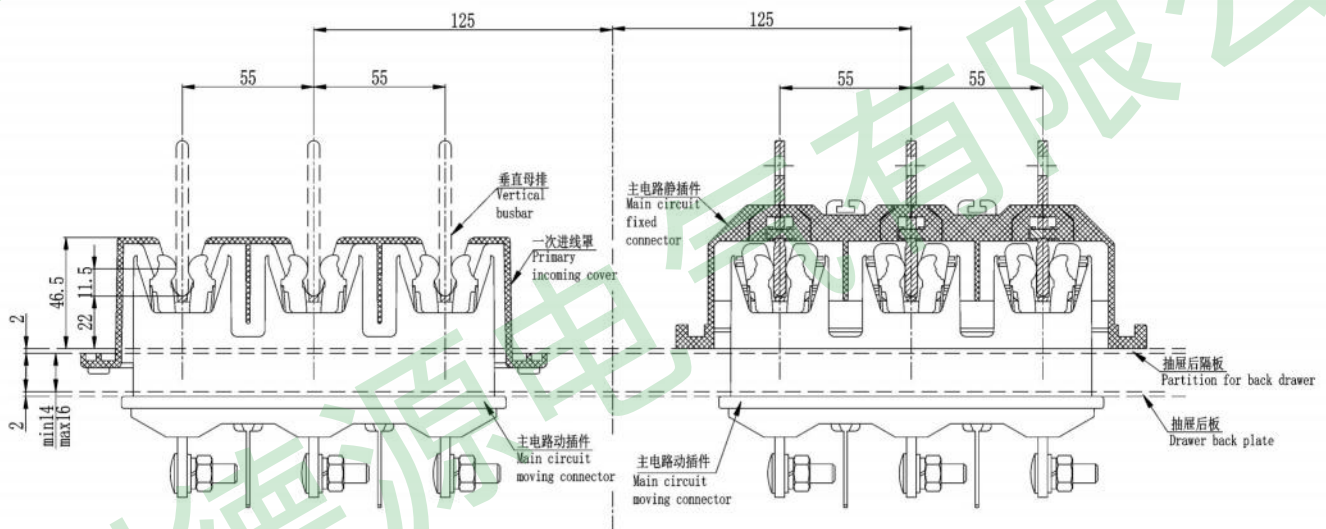
Rated current: 80A、125A、250A、400A、630A

Rated insulation voltage: 1000V

Power frequency withstand voltage: 3500V

Vertical busbar phase clearance: 55mm

Vertical busbar thickness: 6mm



### 产品优点

- ① 插件的插片结构采用双夹头设计原理，卡扣等零件采用进口不锈钢材料隔磁，减少因涡流引起的温升。
- ② 插片之间有凸点隔开，而不是直接的叠加，增加了插片之间的散热表面积，散热和导电效果更好。
- ③ 插片与铜排接触位置对应的插头壳位置有通风孔，便于散热降低温升。

### Product advantages

- ① The structure of the plug-in adopts the design principle of double chuck, and the buckles and other parts adopt imported stainless steel material for magnetic insulation to reduce the temperature rise caused by eddy current.
- ② There are convex points between the inserts separated, rather than direct superposition, increase the heat dissipation surface area between the inserts, heat dissipation and conductive effect is better.
- ③ The plug shell corresponding to the contact position of the plug blade and the copper bar has a ventilation hole to facilitate heat dissipation and reduce the temperature rise.

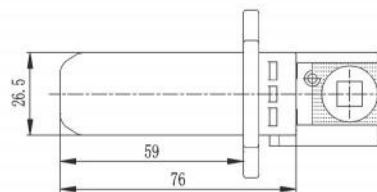
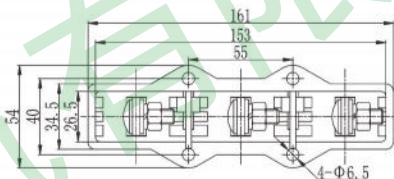
——通用型低压配电柜附件(二代)

**DCT(Z)6型主电路动插件 (后出)**

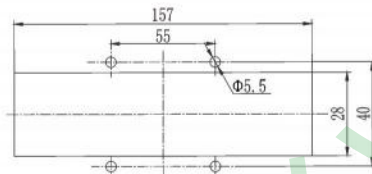
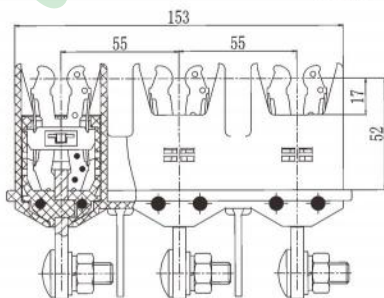
DCT(Z) Type 6 Main Circuit moving connector (Rear Wiring)



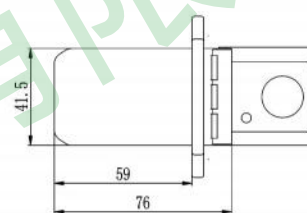
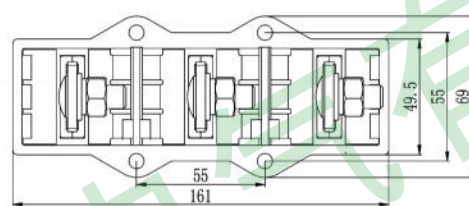
DCT6C-80A/125A/160A主电路动插件  
DCT6C-80A/125A/160A  
Main circuit moving connector



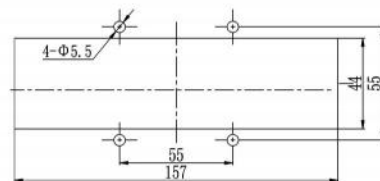
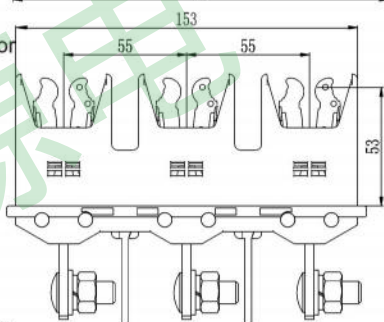
DCT62C-B-3-250A主电路动插件  
DCT62C-B-3-250A Main circuit moving connector



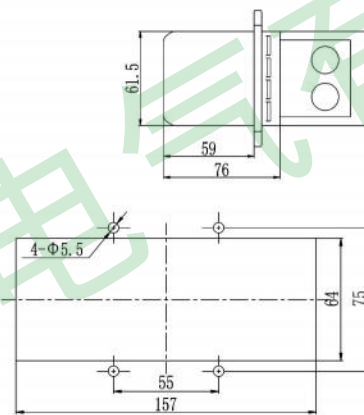
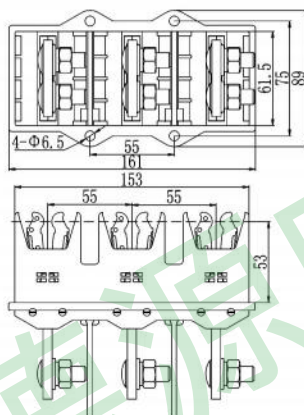
DCT6C-B-3-250A 250A主电路动插件  
DCT6C-B-3-250A 250A main circuit moving connector



DCT6C-B-3-400A 400A主电路动插件  
DCT6C-B-3-400A 400A main circuit moving connector



DCT6C-B-3-630A 630A主电路动插件  
DCT6C-B-3-630A 630A main circuit moving connector

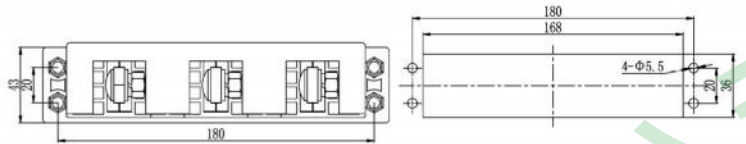
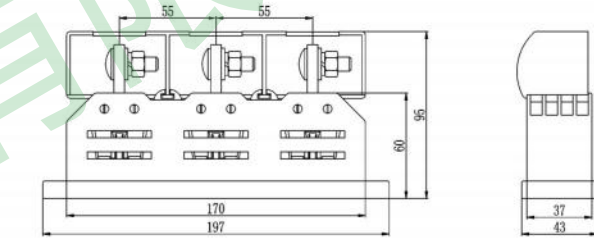


## DCT(Z)6型主电路静插件 (后出)

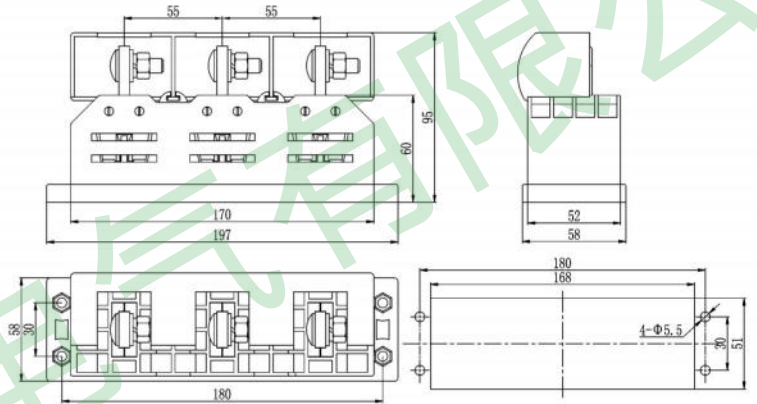
DCT(Z) Type 6 Main Circuit fixed connectors (Rear Wiring)



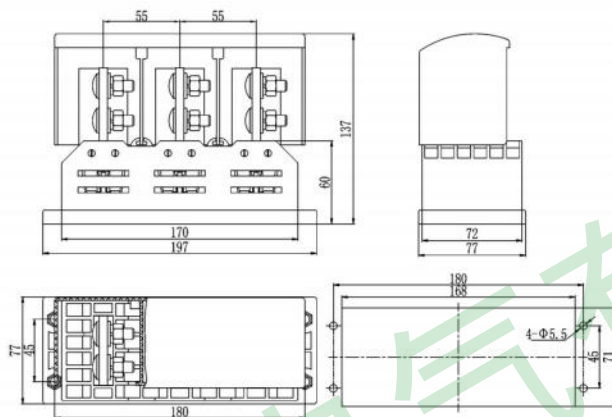
DCZ6-B-3-80A 80A主电路静插件  
 DCZ6-B-3-80A Main Circuit Fixed Connectors  
 DCZ62-B-3-125A 125A主电路静插件  
 DCZ62-B-3-125A Main Circuit Fixed Connectors  
 DCZ62-B-3-160A 160A主电路静插件  
 DCZ62-B-3-160A Main Circuit Fixed Connectors  
 DCZ62-B-3-250A 250A主电路静插件  
 DCZ62-B-3-250A Main Circuit Fixed Connectors



DCZ6-B-3-125A 125A主电路静插件  
 DCZ6-B-3-125A 125A Main Circuit Fixed Connectors  
 DCZ6-B-3-160A 160A主电路静插件  
 DCZ6-B-3-160A 160A Main Circuit Fixed Connectors  
 DCZ6-B-3-250A 250A主电路静插件  
 DCZ6-B-3-250A 250A Main Circuit Fixed Connectors  
 DCZ6-B-3-400A 400A主电路静插件  
 DCZ6-B-3-400A 400A Main Circuit Fixed Connectors



DCZ6-B-3-630A 630A主电路静插件  
 DCZ6-B-3-630A 630A Main Circuit Fixed Connectors



### 订货须知

- ① 订货时请注明插件的型号, 名称和规格。
- ② 此样本上只列3极插件型号, 4极插件型号请参考经济型通用件。
- ③ 如果有其他特殊的需求, 可与我公司技术部门联系。

### Ordering Instructions

- ① Please indicate the model, name and specification of the plug-in when ordering.
- ② Only the 3-pole plug-in model is listed in this sample. For other information such as the 4-pole plug-in model Economical universal parts.
- ③ If you have other special needs, you can contact our technical department.

071 通用型(二代)低压配电柜附件

## ——通用型低压配电柜附件(二代)

**DJXZ6型一次进线罩**

DJXZ6 type primary feed hood



DJXZ6-B-3-80A 80A一次进线罩

DJXZ6-B-3-80A 80A Primary Incoming Cover

DJXZ62-B-3-125A-II 125A一次进线罩

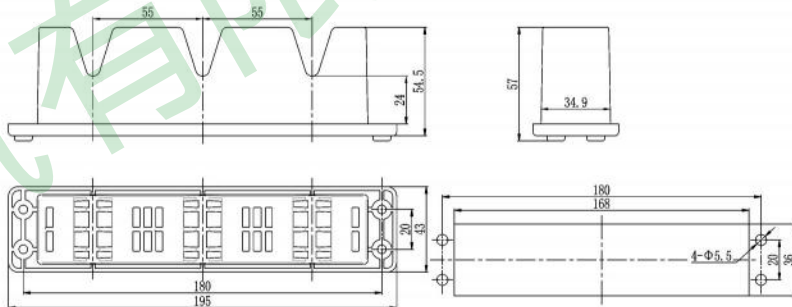
DJXZ62-B-3-125A-II 125A Primary Incoming Cover

DJXZ62-B-3-160A-II 160A一次进线罩

DJXZ62-B-3-160A-II 160A Primary Incoming Cover

DJXZ62-B-3-250A-II 250A一次进线罩

DJXZ62-B-3-250A-II 250A Primary Incoming Cover

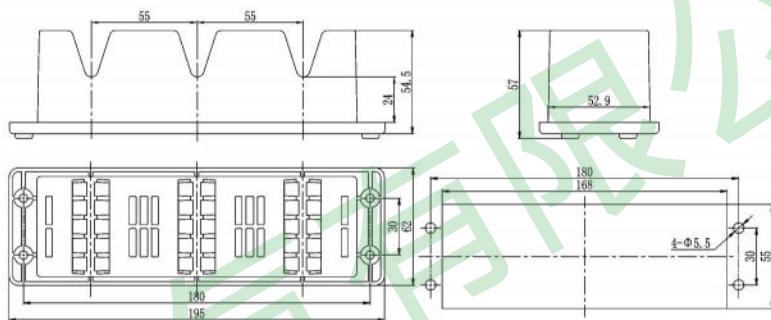


DJXZ6-B-3-250A 250A一次进线罩

DJXZ6-B-3-250A 250A Primary Incoming Cover

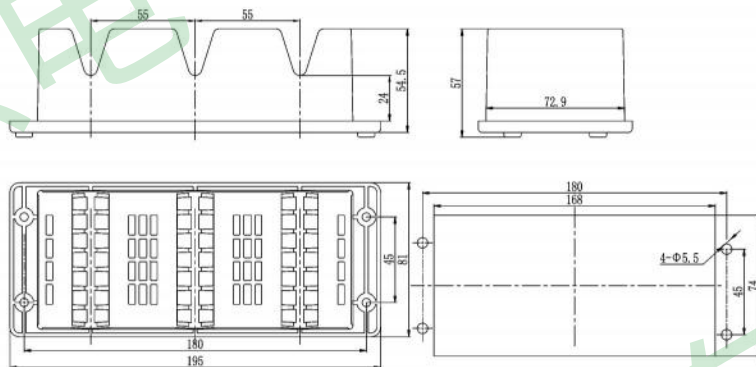
DJXZ6-B-3-80~400A 80~400A一次进线罩

DJXZ6-B-3-80~400A 80~400A Primary Incoming Cover



DJXZ6-B-3-630A 630A一次进线罩

DJXZ6-B-3-630A 630A Primary Incoming Cover

**订货须知**

- ① 订货时请注明插件的型号, 名称和规格。
- ② DJXZ6-B-3-80~400A 80~400A一次进线罩 含80A、125A、160A、400A四个规格, 不含250A。
- ③ 此样本上只列3极插件型号, 4极插件型号请参考经济型通用件。
- ④ 如果有其他特殊的需求, 可与我公司技术部门联系。

**Ordering instructions**

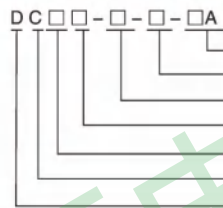
- ① Please specify the model, name and specification of the plug-in when ordering.
- ② DJXZ6-B-3-80~400A 80~400A one-time inlet wire cover includes 80A, 125A, 160A, 400A four specifications, excluding 250A.
- ③ Only the 3-pole plug-in model is listed on this sample. For other information, please refer to Economical universal parts of the company.
- ④ If you have any special needs, please contact our technical department.

## DCT(Z)2型主电路接插件 (侧出)

DCT(Z) Type 2 Main circuit connector (side Wiring)

### ■ 型号及含义

#### Type And Meaning



额定电流 Rated current  
 极数 Number of poles  
 相距代号 Phase Distance  
 设计序号 Design code  
 T为插头、Z为插座 T for plug, Z for socket  
 接插件 Connector  
 温州德源电气有限公司  
 Wenzhou Deyuan Electric Co., Ltd.

### ■ 产品优点

DCT2系列主电路接插件是我公司开发用于经济型侧出线方案的一次接插件,作为单一回路出线用。可以与DCT6C系列接插件配套使用,用于经济型55mm相距的侧出线方案抽屉。也可以与DCT9系列接插件配套使用,用于半块功能板方案的侧出线方案。

- 1、插件的插片结构采用双夹头设计原理,卡扣等零件采用进口不锈钢材料隔磁,减少因涡流引起的温升。
- 2、插片之间有凸点隔开,而不是直接的叠加,增加了插片之间的表面积,散热和导电效果更好。
- 3、插片与铜排接触位置对应的插头壳位置有开通风孔,便于散热降低温升。
- 4、插件的电流规格为125A、250A、400A、630A。可适用于最小模数为H=150mm的6E抽屉,实现经济型抽屉150mm高抽屉的侧出,替代GCS的侧出方案。

### ■ 主要技术参数

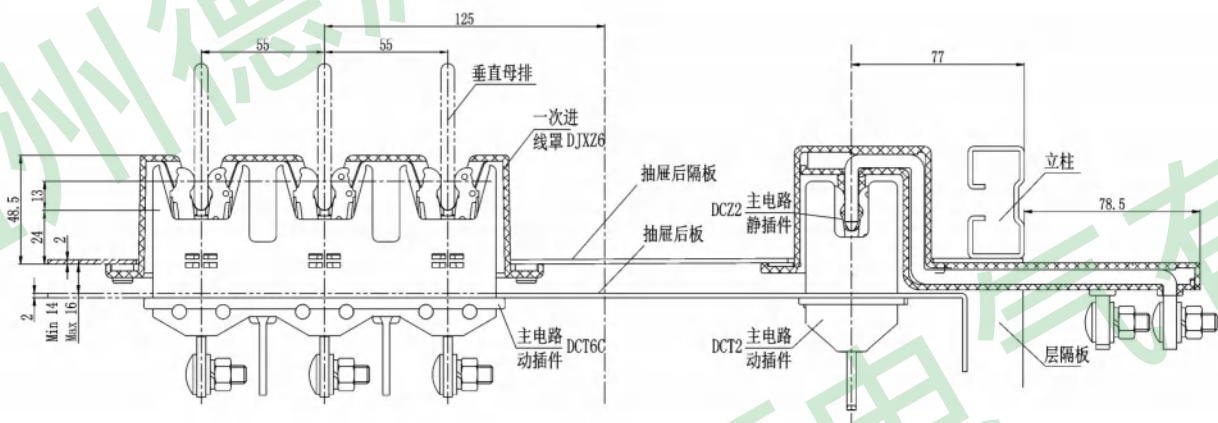
#### Main Technical Parameters

额定电压:AC690V  
 额定电流:125A、250A、400A、630A  
 额定绝缘电压:1000V  
 额定工频耐受电压:3500V;  
 垂直母线厚度:6mm;  
 Rated voltage :AC690V  
 Rated current :125A、250A、400A、630A  
 Rated insulation voltage: 1000V  
 Rated power frequency tolerance voltage :3500V;  
 Vertical bus thickness: 6mm;

### Main Character

DCT2 SERIES MAIN CIRCUIT CONNECTOR IS A PRIMARY CONNECTOR DEVELOPED BY our COMPANY FOR economic SIDE outlet scheme, which is used as a single circuit outlet. With DCT6C Series connectors are used together, for economic 55mm apart side out drawer. It can also be used with DCT9 series connectors for half block function The side outlet of the plate scheme.

1. The structure of the plug-in adopts the design principle of double chuck, and the buckles and other parts adopt imported stainless steel material for magnetic insulation to reduce the temperature rise caused by eddy current.
2. there are convex points between the inserts, rather than direct superposition, increase the surface area between the inserts, heat dissipation and conductive effect is better.
3. The plug shell corresponding to the contact position of the plug blade and the copper bar has a ventilation hole to facilitate heat dissipation and reduce the temperature rise.
4. plug-in current specifications for 125A, 250A, 400A, 630A. It can be applied to 6E drawer with the minimum modulus of H=150mm, realizing the side exit of the 150mm high drawer of economic drawer, replacing the side exit scheme of GCS.



### 订货须知

- 1、订货时请注明插件的型号,名称和规格,侧出线规格只有3极。
- 2、如果有其他特殊的需求,可与我公司技术部门联系。

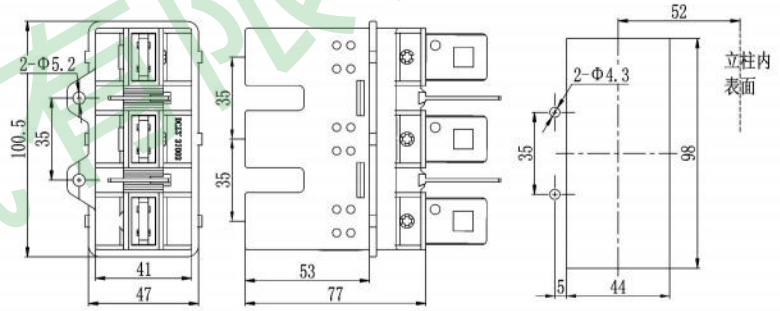
### Ordering instructions

1. Please specify the model, name and specification of the plug-in when ordering. The specification of the side outlet is only 3 poles.
2. If you have any special needs, please contact our technical department.

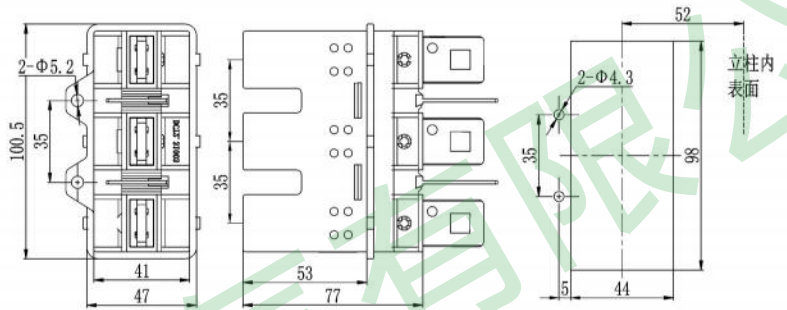
**DCT2型主电路接插件 (侧出)**  
DCT2 type main circuit connector (side Wiring)



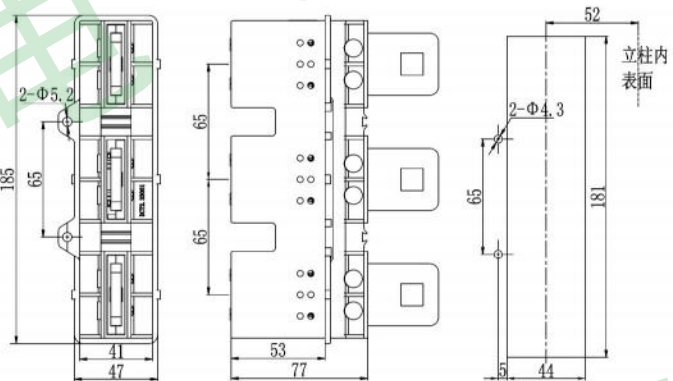
DCT2-B-3-125A 125A旁出动插件  
DCT2-B-3-125A Plug-in is deployed beside 125A



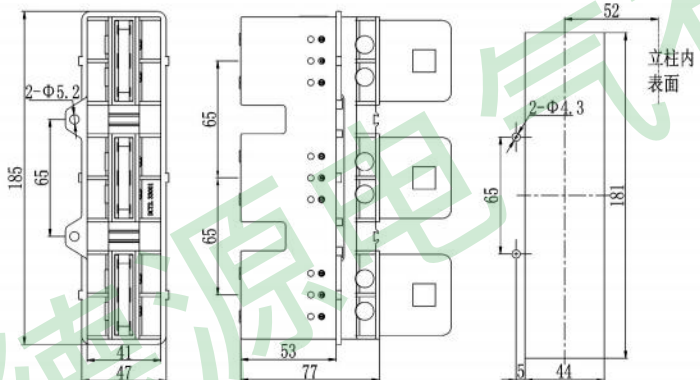
DCT2-B-3-250A 250A旁出动插件  
DCT2-B-3-250A Plug-in is deployed beside 250A



DCT2-B-3-400A 400A旁出动插件  
DCT2-B-3-400A plug-in is deployed next to 400A

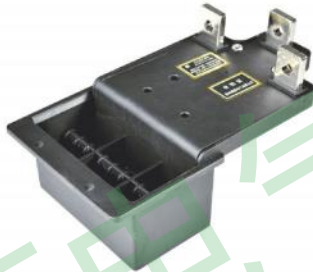


DCT2-B-3-630A 630A旁出动插件  
DCT2-B-3-630A 630A side out plug-in

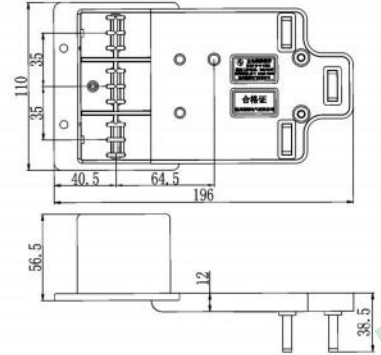
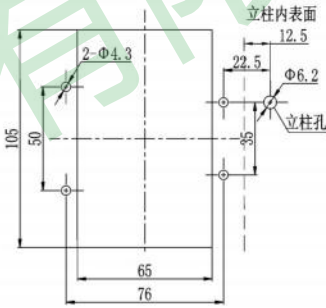


DCT2型主电路接插件 (侧出)

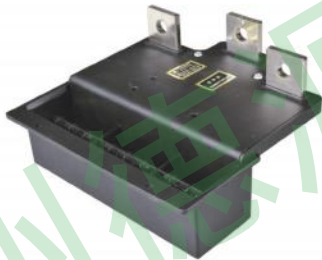
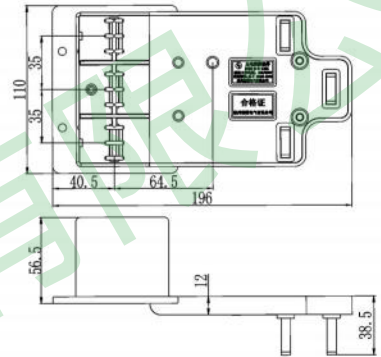
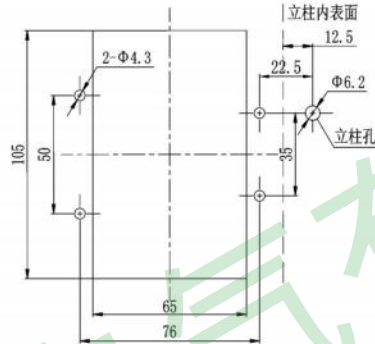
DCT2 type main circuit connector (side Wiring)



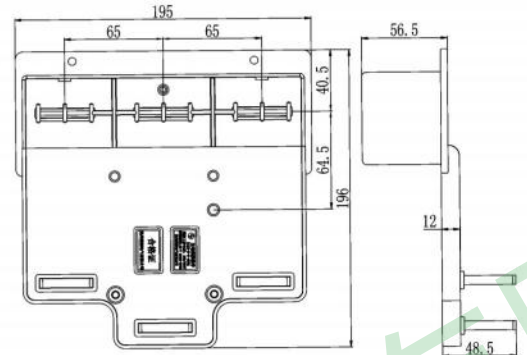
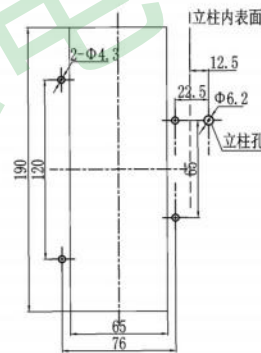
DCZ2-B-3-125A 125A旁出静插件  
DCZ2-B-3-125A  
125A Side wiring moving connectors



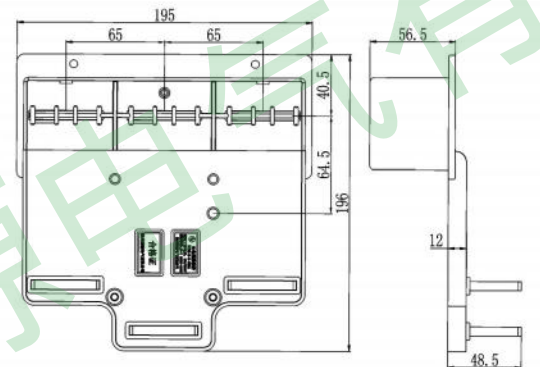
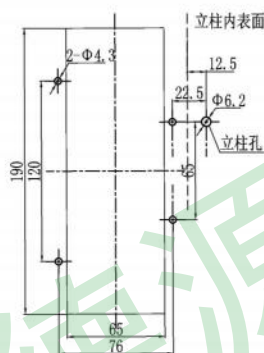
DCZ2-B-3-250A 250A旁出静插件  
DCZ2-B-3-250A  
250A Side wiring moving connectors



DCZ2-B-3-400A 400A旁出静插件  
DCZ2-B-3-400A  
400A Side wiring moving connectors



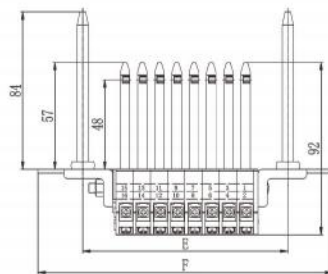
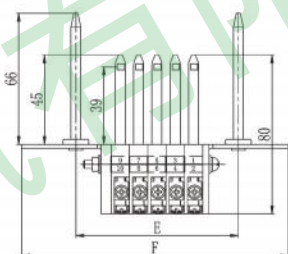
DCZ2-B-3-630A 630A旁出静插件  
DCZ2-B-3-630A  
630A Side wiring moving connectors



——通用型低压配电柜附件(二代)

**DRC系列二次接插件(后出)**

**DRC series secondary connector(Rear Wiring)**



DRC2(T) 插头外形尺寸图

DRC7(T) 插头外形尺寸图

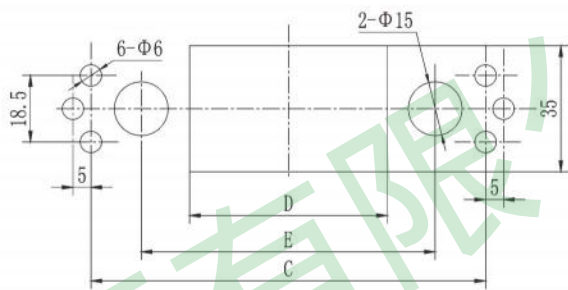
DRC2(T) secondary plug dimension outline

DRC7(T) secondary plug dimension outline

DRC2(DRC7)插头外形及安装尺寸列表

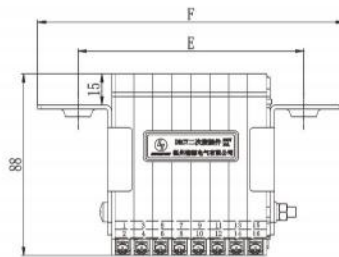
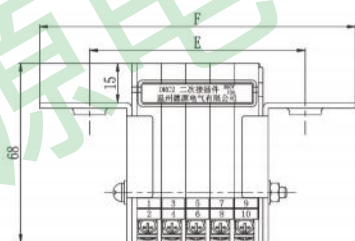
DRC2(DRC7) secondary plug outline and assemble dimension

型号 model	C	D	E	F
DRC_(T)-5/10	110.3	55.4	82.1	130.1
DRC_(T)-6/12	119.5	64.6	91.3	139.3
DRC_(T)-8/16	137.7	83	109.7	157.7
DRC_(T)-10/20	156.1	101.4	128.1	176.1
DRC_(T)-12/24	174.5	119.8	146.5	194.5
DRC_(T)-15/30	202.1	147.4	174.1	222.1
DRC_(T)-16/32	211.3	156.6	183.3	231.3



DRC\_ 插头外形及安装尺寸图

DRC\_ secondary plug dimension outline



DRC2(T) 插座外形尺寸图

DRC7(T) 插座外形尺寸图

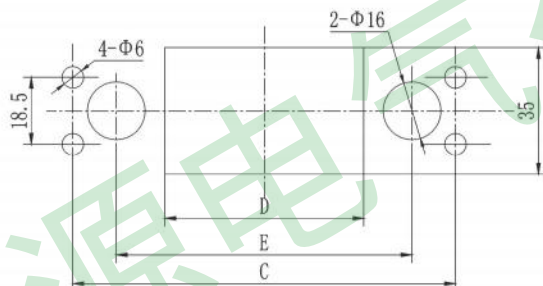
DRC2(T) secondary socket dimension outline

DRC7(T) secondary socket dimension outline

DRC2(DRC7)插座外形及安装尺寸列表

DRC2(DRC7) secondary socket outline and assemble dimension

型号 model	C	D	E	F
DRC_(Z)-5/10	104	55.4	82	121.3
DRC_(Z)-6/12	113.2	64.6	91.2	130.5
DRC_(Z)-8/16	131.6	83	109.6	148.9
DRC_(Z)-10/20	150	101.4	128	167.3
DRC_(Z)-12/24	168.4	119.8	146.4	185.7
DRC_(Z)-15/30	196	147.4	174	213.3
DRC_(Z)-16/32	205.2	156.6	183.2	222.5



DRC\_ 插座外形及安装尺寸图

DRC\_ secondary socket outline and assemble dimension

注:插头插座一起订货时,可直接写型号: DRC2-5/10即DRC2 5节10线

When ordering the plug and socket together, please write directly : DRC2-5/10

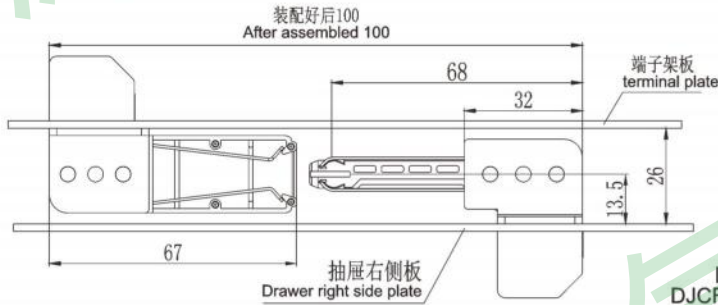
## DJCF系列二次接插件(侧出)

### DJCF series secondary connector(Side wiring)

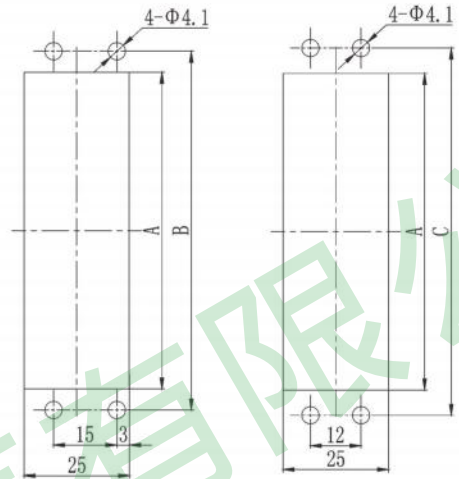


DJCF2系列二次接插件是专用于经济型侧出线方案的二次，可以替代B8E-S8E使用，具有三位功能并可按要求加装实验端子。

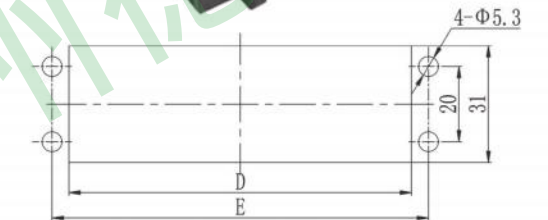
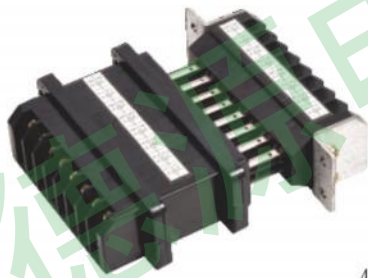
DJCF2 series secondary connector is designed for economical side outgoing scheme, which can replace B8E-S8E, with three position function and terminals can be added also.



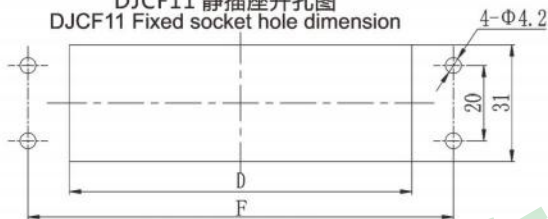
型号规格 Model No. And specification	A	B	C
DJCF2-6/12	58.8	68.8	70.6
DJCF2-8/16	75	85	86.8
DJCF2-12/24	107.4	117.4	119.2
DJCF2-15/30	131.7	141.7	143.5



DJCF2 插座开孔图 DJCF2 plug hole dimensions  
DJCF2 插头开孔图 DJCF2 socket hole dimensions

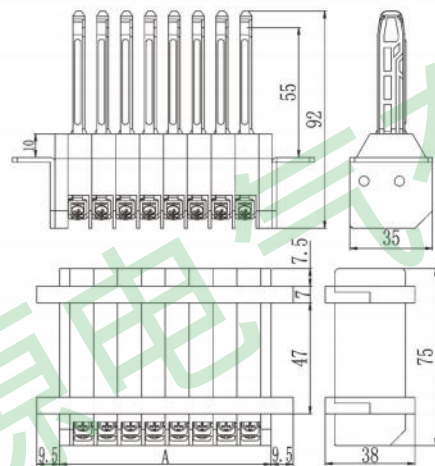


DJCF11 静插座开孔图  
DJCF11 Fixed socket hole dimension



DJCF11 动插头开孔图  
DJCF11 moving plug hole dimension

型号规格 Model No. And specification	A	D	E	F
DJCF11-5/10	60	61	70	83
DJCF11-6/12	70	71	80	93
DJCF11-8/16	90	91	100	113
DJCF11-10/20	110	111	120	133
DJCF11-11/22	120	121	130	143
DJCF11-12/24	130	131	140	153



——通用型低压配电柜附件(二代)

开启式仪表板

Open Type Instrumental Panel



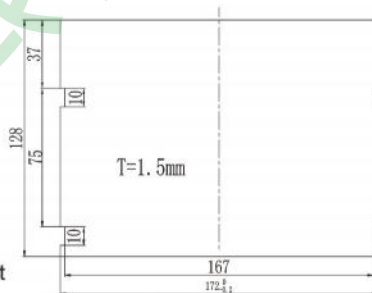
DCT-2.313 开启式仪表板

DCT-2.313 Open Type Instrumental Panel



DCT-2.31305 测控板支架

Measurement and control board support



客户自制钢板图 Steel plate drawing

适用于H=200mm以上抽屉, 仪表板为冷轧钢板, 由用户开孔后喷塑。

Used for drawer H=200mm above, instrument panel in cold rolled steel plate, sprayed by the user after opening hole



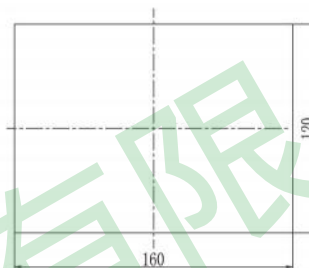
DCT-2.315 开启式仪表板

DCT-2.315 Open Type Instrumental Panel



DCT-2.31305 测控板支架

Measurement and control board support



仪表板开孔区域范围 Instrumental hole size

适用于H=200mm以上抽屉, 仪表板开孔区域为塑料。

Used for drawers in H=200mm and above, and the hole area of the instrument panel is plastic.



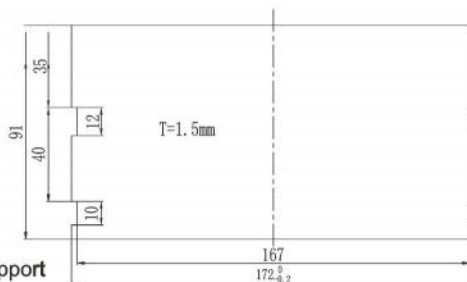
DCT-2.314 开启式仪表板

DCT-2.314 Open Type Instrumental Panel



DCT-2.31305 测控板支架

Measurement and control board support



客户自制钢板图 Steel plate drawing

适用于H<200mm抽屉, 仪表板为冷轧钢板, 由用户开孔后喷塑。

Used for drawer H<200mm above, instrument panel in cold rolled steel plate, sprayed by the user after opening hole



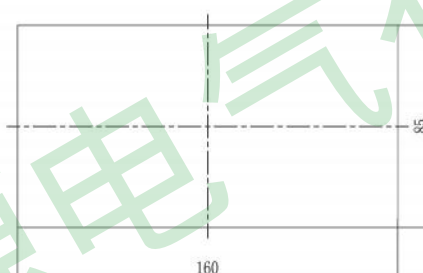
DCT-2.316 开启式仪表板

DCT-2.316 Open Type Instrumental Panel



DCT-2.31305 测控板支架

Measurement and control board support



仪表板开孔区域范围 Instrumental hole size

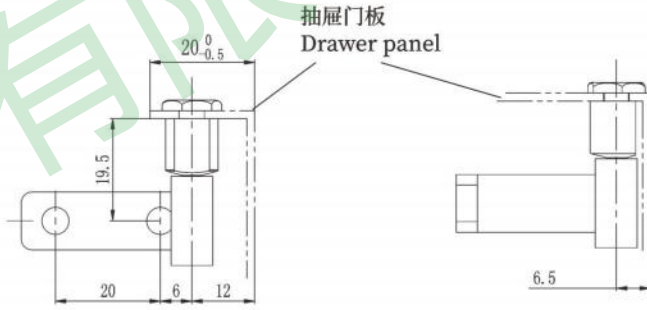
适用于H<200mm抽屉, 仪表板开孔区域为塑料。

Used for drawer H<200mm above, and the hole area of the instrument panel is plastic.

铰链  
Hinges



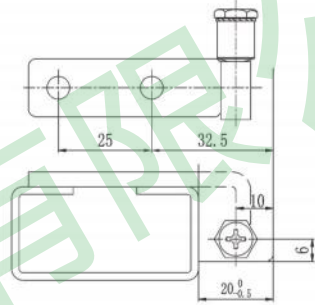
DJL3-4 抽屉暗铰链  
DJL3-4 Drawer Concealed Hinges



DJL3-8 大门暗铰链  
DJL3-8 Doors Concealed Hinges

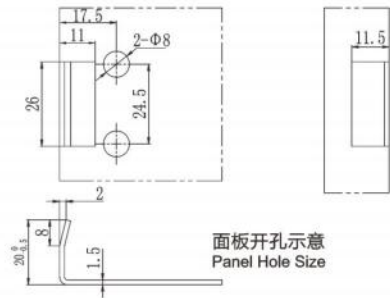


DJL3-8.1 大门暗铰链  
DJL3-8.1 Doors Concealed Hinges



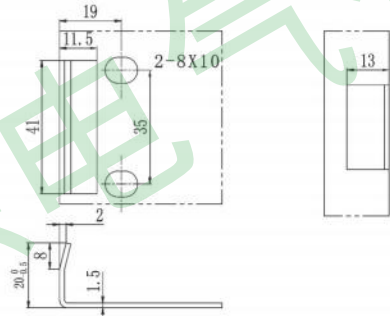
DJL3-7.1 抽屉明铰链  
DJL3-7.1 Drawer Hinge

DJL3-7.1 抽屉铰链  
DJL3-7.1 Drawer Hinge  
适用于抽屉门明装铰链  
Used for drawer door mounting hinge  
(整体式)  
(Integral hinge)



DJL3-6.1 大门明铰链  
DJL3-6.1 Panel Door Hinge

DJL3-6.1 大门铰链  
DJL3-6.1 Panel Door Hinge  
适用于大门明装铰链  
Used for drawer door mounting hinge  
(整体式)  
(Integral hinge)  
DJL3-6.1SL 大门铰链  
DJL3-6.1SL Panel Door Hinge  
(双开门)  
(Double open)

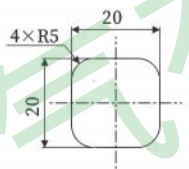


——通用型低压配电柜附件(二代)

**DMS3.1抽屉门锁**  
DMS3.1 Drawer Door L ocks



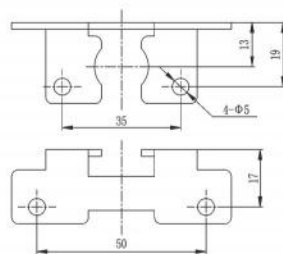
DMS3.31 解锁门锁  
DMS3.31 Unlock door lock



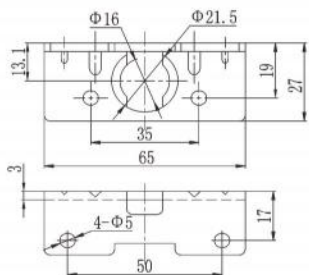
门锁开孔  
The door opening



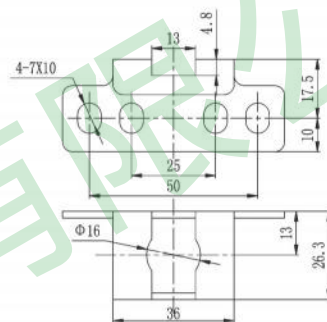
DMS3.31004门锁支架  
DMS3.31004 Door Lock Bracket



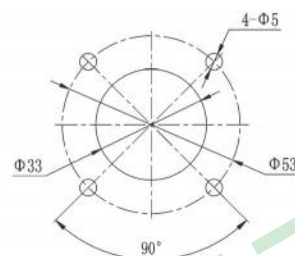
DMS3.33001无折弯门门锁支架  
Unbending Door L ock Bracket



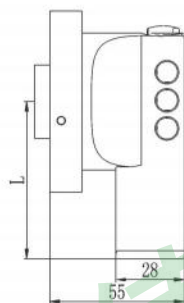
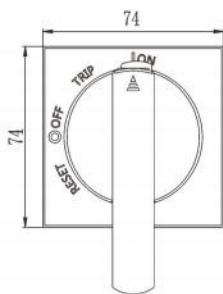
DMS3.32001大门锁支架  
DMS3.32001 Door Lock Bracket



**NGCSB操作手柄**  
NGCSB Operating Mechanism



手柄开孔图  
Hole Dimensions



产品型号 Model No.	L	操作杆 Operating Mechanism
NGCSB -001	65	8X8
NGCSB -002	65	10X10
NGCSB -003	105	8X8
NGCSB -004	105	10X10
NGCSB -005	30	8X8



DXTC-3.11001/-1/-2  
下导轨(450/400/500深)  
Lower Guide Rail  
(450/400/500Depth)



DXTC-3.11002/-1/-2  
下导轨(450/400/500深)  
Lower Guide Rail  
(450/400/500Depth)



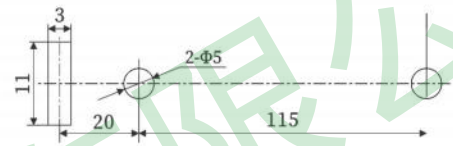
DXTC-3.11003/-1/-2  
下导轨(450/400/500深)  
Lower Guide Rail  
(450/400/500 Depth)



DLS3.10002 右拉手  
DLS3.10002 Right Handle



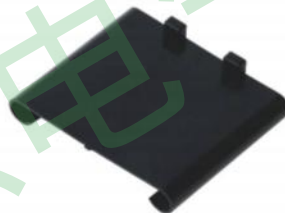
DLS5.114 拉手部件  
DLS5.114-3 拉手部件(电操)  
Handle unit (electric operation)



钣金开孔图  
Sheet metal opening diagram



DTC-1.33005/-1/-2  
抽屉铝导轨(400/450/500深)  
Drawer aluminum guide rail



DTC-1.34004 铝型材隔板  
Aluminum profile bulkhead



DXTC-1.33103  
安装板限位件  
Limit parts for assemble plate



轴承 Φ28  
Bearing Φ28



DTC-1.13108HD 轴  
DTC-1.13108HD Axle



DTC-1.13107 轮  
DTC-1.13107 Wheel



DTC-1.13106 轮轴  
DTC-1.13106 Shank

# **SUPERSET 低压配电柜附件**

SUPERSET LOW VOLTAGE SWITCHGEAR ACCESSORIES

## SUPERSET 低压配电柜

### Superset Low Voltage Switchgear Accessories

#### 柜体介绍:

SUPERSET新型通用柜是我司继2015推出的通用型低压配电柜基础上新推出的低压抽出式开关柜,其集国内外多种低压开关柜的优点于一身,并在原通用柜的基础上对部分专用器件、接插件、单元抽屉结构、框架结构等进行优化、创新而设计制造的一种新型低压抽出式开关柜。该柜型结构简单,造型美观,插件功能可靠,操作机构结构新颖,功能齐全,在柜体强度和钣金通用化程度有较大的提高,是一款性价比较高的新型柜体。

#### 主要特点:

- 1、该柜型的抽屉钣金高度标准化,手拉抽屉、手摇抽屉、暗铰链抽屉、明铰链抽屉四种方案共用一套抽屉钣金,可实现标准化生产和方案临时变更给生产带来便利,同时也便于售后维护。
- 2、该柜型的抽屉钣金标准化高抽屉高度采用25模数值可组装成高度为150、200、300、400、600等模数值内的单元抽屉。1/2单元抽屉配套使用电路分配转接器,可制作高度200小单元抽屉。200高抽屉单元可实现三极四极,二次线最大可达到32线。
- 3、新型一次接插件DJZ5系列的温升更低插拔力更小。新型一次侧出接插件(DCT2)简化了原来一次旁出线转接件结构。新插件性能更可靠安装更方便性价比优越。
- 4、该柜型有明铰链和暗铰链供任意选用,门板和铰链全部免焊接且钣金完全通用,该两种铰链的使用减少了钣金焊接工序,并加强了门铰链强度,无需考虑避让侧横梁位置门板通用标准化程度更高。
- 5、手拉手摇抽屉面板上外观高度的统一,并且钣金统一可以随意的切换机构,为现场快速升级改造提供了便利。
- 6、柜架结构可采用C型材或加强型C型材(375型材),新型钢的抗弯曲强度比原C型钢强度增加75%抗扭曲度增加25%,极大的改善了柜架的强度并可同常规C型材柜体正常并柜无需特殊配件。

#### Switchgear introduction:

SUPERSET New universal switchgear is new series low-voltage draw-out switchgear which combines the advantages of both at domestic and abroad. New type low voltage drawer out switchgear improve on the frame structure, drawer unit structure, connectors, special equipments. It is in simple structure, beautiful shape, reliable plug-in function, novel operating mechanism structure and complete functions, which is a cost-effective new cabinet.

#### Main features:

1. Highly standardized in drawer sheet metal, four schemes of hand-pulled drawer, hand-operated drawer, blind hinge drawer and hinged drawer, which can realize standardized production and temporary change of scheme, which bring large convenience in production and facilitate after-sales maintenance at the same time.
2. Switchgear drawer sheet metal in high standard, drawer height in 25 modulus, can be assembled into a height 150, 200, 300, 400, 600MM unit drawer. 1/2 drawer is equipped with circuit distribution condapter, which can make small drawers unit height in 200. 200 height drawer unit can realize 3Poles, 4 Poles, and secondary wires can reach up to 32 lines.
3. New primary connector DIZ5 series has lower temperature rise and less power, simplifies the structure of primary side outlet connector with more easy installation, better performance and competitive price.
4. The switchgear has hinge and blind hinge for choice, door plate and hinge are free of welding and sheet metal completely universal. The two kinds of hinge reduces the sheet metal welding process, and strengthen the door hinge which no need to avoid side beam position, with high standardization on the door.
5. Panel on the hand operating and hand swing mechanism has high uniform apperance, mechanism can be choose at ease for metal sheet, which providing large convenience for the rapid upgrading and reconstruction.
6. Switchgear frame structure can use C profile or strengthen type C profile (375 profile), bending strength of the new steel compared with the original C profile steel strength increased by 75%, the twisting strength increased by 25%, improve the strength of the cabinet frame greatly, and can be normal with the conventional C-shaped cabinet and cabinet without special accessories



## DLC1型手拉8E/4单元抽屉

DLC1 series hand pull operating mechanism for 8E/4

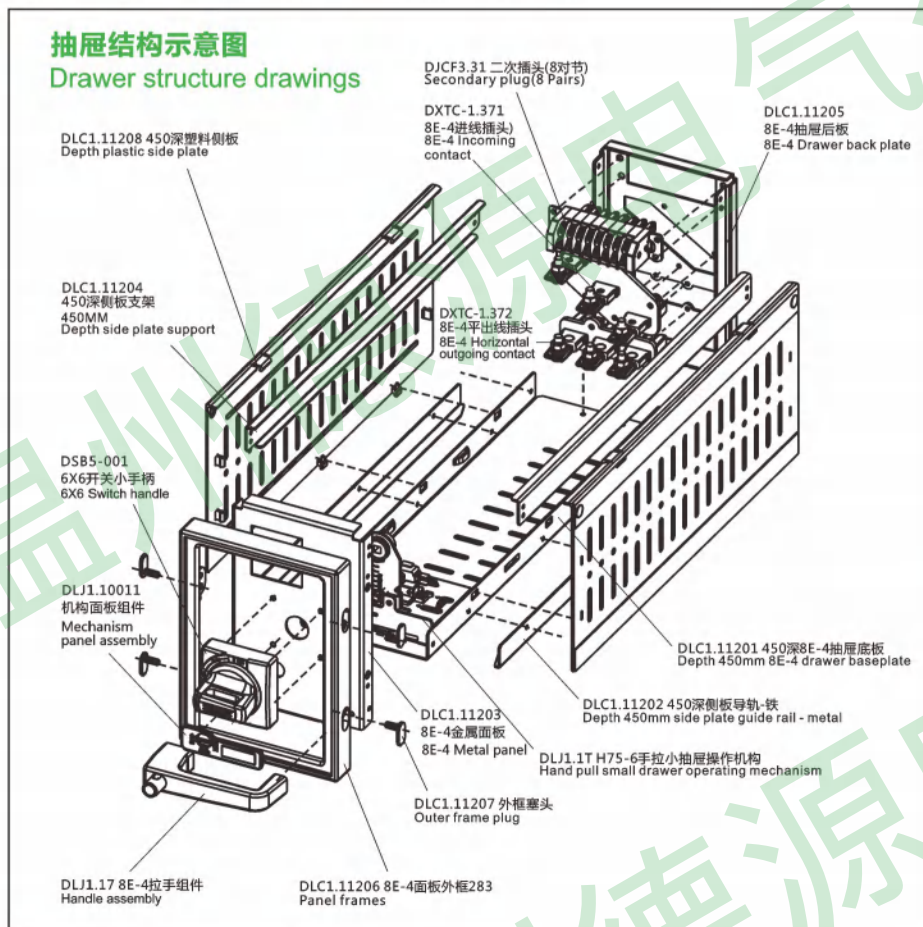


### 功能及操作简介

- ①该机构抽屉为手拉推进操作方式,操作简单方便,锁定可靠。抽屉高度H= 200。
- ②机构具有三位置显示、锁定、联锁等功能。手柄高度H=75。
- ③抽屉为后出线结构,抽屉电流: 63A,二次16线。
- ④试验位置到连接位置行程为24mm。试验位置:一次断开,二次连接。连接位置:一次二次连接。
- ⑤机构可实现现在试验位置和连接位置同时提供1组1开1闭转换开关,常规只在试验位置1组1开1闭。
- ⑥抽屉位置指示通过旋转箭头指示对应位置区域来指示。
- ⑦抽屉可以在按住左拉手上的解锁按钮推进抽屉到连接位置,分合闸手柄合闸后机构锁杆透过抽屉底板,锁定层隔板上的定位块,同时解锁按钮被锁定抽屉无法进出,手柄分闸后解锁,抽屉可按解锁按钮抽出。
- ⑧8E/4抽屉侧板常规采用塑料侧板,如需要金属的请特殊注明。

### Function and operation description

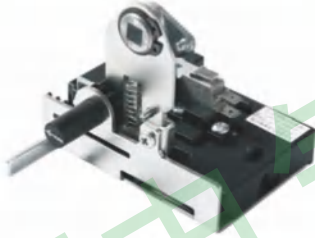
- ①Mechanism is operated by hand, which is easy to operate and reliable to lock. Drawer height H=200mm.
- ②The mechanism has three position : display, locking, interlocking .Handle height H=75.
- ③Back wiring structure drawer, current: 63A, secondary 16 line.



- ④Travel distance from test to connection position is 24mm. Test position: primary disconnection, secondary in connections; Connection position: primary and secondary all in connections
- ⑤The mechanism can provide 1 set of 10N 1 OFF conversion switches at both test position and connection position.Regular can only provide 1 set of 1 ON 1 OFF at the test position.
- ⑥Drawer position indicator is indicated by rotating the arrow to indicate the corresponding position area.
- ⑦The drawer can be pushed into the connecting position by pressing and holding the unlock button on the left pull hand. After closing handle is closed, the mechanism lock lever will pass through the bottom board of the drawer and lock the positioning block on the layerpartition. Meanwhile, the unlock button is locked, and the drawer can be unlocked after the handle is locked, and the drawer can be pulled out by pressing the unlock button.
- ⑧8E/4 drawer side plate will be plastic generally, please specify if metal needed.

## DLJ1型手拉机构(适用于8E/4单元抽屉)

DLJ1 hand pull operating mechanism (For 8E/4 unit drawer)



DLJ1  
手拉小抽屉操作机构  
Hand pull small drawer  
operating mechanism

### 功能及操作简介

- ①该机构为手拉推进式操作机构,操作简单方便,锁定可靠。
- ②机构具有三位置显示、锁定、联锁等功能。手柄高度H=75
- ③机构联锁简单减少开关跳闸时操作杆的阻力,使开关跳闸后面板上的手柄旋转力不减少能转到Trip位置。
- ④试验位置到连接位置行程为24mm。
- ⑤机构可实现同时在试验位置和连接位置同时提供1组1开1闭转换开关,常规只在试验位置1组1开1闭。
- ⑥机构可在解锁按钮处增加1开1闭转换开关实现机械电气互锁。

### Function and operation description

- ①Hand operating mechanism, with simple and convenient operation, locking reliable.
- ②The mechanism has three position : display, locking, interlocking Handle height H=67, 82,119 for choice.
- ③The mechanism reduces the resistance of the operating lever when the switch trips, so that the rotation force of the handle cannot reduce to Trip.
- ④Travel distance from test to connection position is 24mm.
- ⑤The mechanism can provide 1 set of 10N 1 OFF conversion switches at both test position and connection position.Regular can only provide 1 set of 1 ON 1 OFF at the test position.
- ⑥The mechanism can add 10N and 1OFF switch at the unlocking button to realize mechanical and electrical interlocking.

### 工作位置说明

**分离位置:**箭头指示“分离”区域,此位置抽屉可以离开柜体。按住解锁按钮可以推进抽屉到试验、连接位置。

**试验位置:**箭头指示“试验”区域,此位置抽屉二次回路接通,按住解锁按钮可以推进抽屉到连接位置或抽出到分离位置。

**连接位置:**箭头指示“连接”区域,此位置抽屉一二次回路接通,主开关合闸后机构锁定,抽屉锁定不能进出,手柄分闸后机构解锁,按住解锁按钮可以抽出抽屉到分离或试验位置。

### Working position description

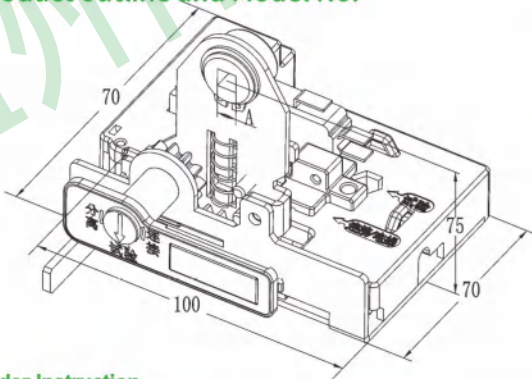
**Isolation position:**When the arrow indicates the "isolation" area,it can leave the switchgear.Press and hold the unlock button to push the drawer to the test and connect position.

**Test position:**When the arrow indicates the "test" area, secondary loop is connected. Press and hold the unlock button to push the drawer to the connection position or extract it to the isolation position.

**Connection position:** When the arrow indicates the "connection" area, the primary and secondary loop of the drawer is connected. The lock mechanism is locked after the main switch is closed, and the drawer cannot be locked in and out to Isolation or Test position.

## 产品外形及型号

Product outline and Model No.



## 产品型号表

Product Lists

方轴 Square shaft	型号 Model No.	带1组开关 With 1 set switches	带2组开关 With 2 set switches	电操型号 Motor model no.
A=6.2X6.2	DLJ1.1T	DLJ1.1C	DLJ1.1C	DLJ1.1D
A=8.2X8.2	DLJ1.2T	DLJ1.2C	DLJ1.2C	

### 订货须知

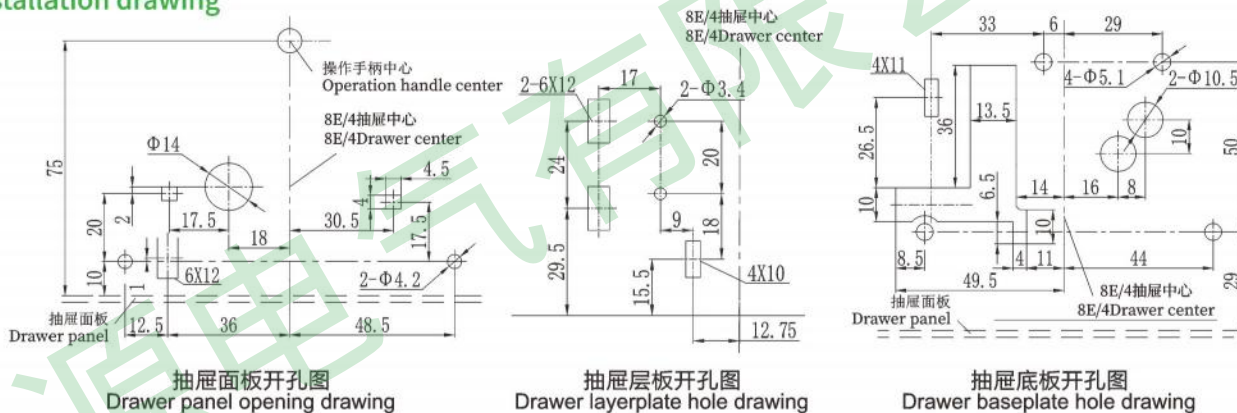
- 1、订货时请注明机构详细型号及功能。
- 2、带1组开关指试验位置1开1闭,带2组开关指试验和工作位置均1开1闭。
- 3、如有疑问请联系我司技术部,可提供完整抽屉图纸供参考。

### Order Instruction

- 1.Please indicate the detailed model and function of the mechanism when ordering.
- 2.With one sets switches in test position 1ON-1OFF; with two sets of switches means test and working position all in 1ON-1OFF;
- 3.If any questions, please contact our technical department. Technical drawings will be provided if need.

—SUPERSET低压配电柜附件

安装尺寸图  
Installation drawing



其他附件  
Other fittings



DLC1.11209 450深下导轨  
450MM depth guide rail



DLC1.11202 450深侧板导轨-铁  
450MM depth side guide rail-metal



DLC1.11204 450深侧板支架  
450MM depth side plate bracket



DLC1.11206 8E-4面板外框283  
8E-4 Panel frames 283



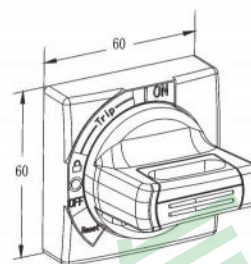
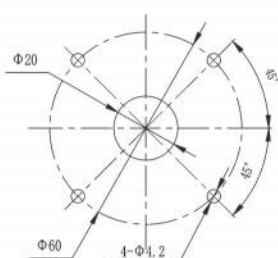
DLJ1.17 8E-4拉手组件  
8E-4.Handle



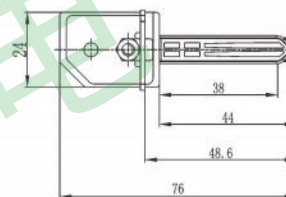
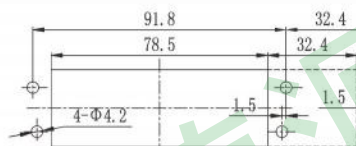
DLC1.11208 塑料侧板  
Plastic side panel



DSB5-001/002 手柄 handle  
备注:方轴孔 6X6/8X8

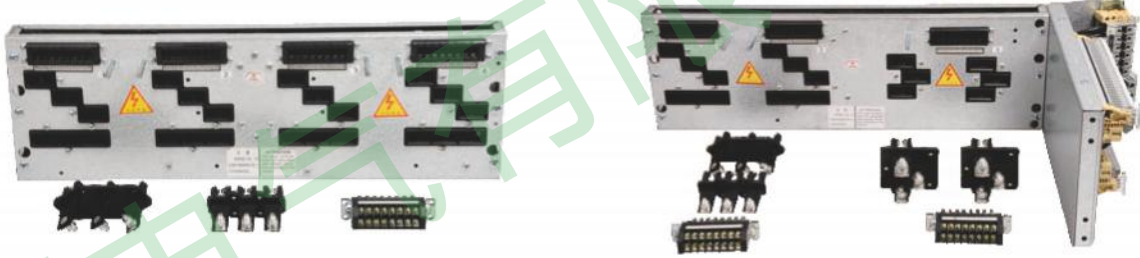


DJCF3.31/\_ (长Long)  
二次插头 Secondary



**DXFZ-5型三极8E/4薄型电路分配转接器**

DXFZ-5 Series 3Poles 8E/4 thin-type circuit distribution condapter


 DXFZ-5S.1/16 8E/4后出线转接单元  
 DXFZ-5S.1/16 8E/4 Back wiring condapter

 DXFZ-5S.3/16 混装侧出线转接单元  
 DXFZ-5S.3/16 Mixed type side wiring condapter

产品型号 Model No. And specification	外形尺寸 Overall dimensions	出线方式 Outgoing ways	备注 Note
DXFZ-5S.1/16	4个8E/4 4 Sets 8E/4	后出线 Back wiring	
DXFZ-5S.2/16	4个8E/4 4 Sets 8E/4	旁出线 Side wiring	
DXFZ-5S.3/16	左8E/4 右8E/2 Left 8E/4, Right 8E/2	旁出线 Side wiring	带端子盒 With terminal box
DXFZ-5S.4/16	左8E/4 右8E/2 Left 8E/4, Right 8E/2	后出线 Back wiring	带端子盒 With terminal box

**技术参数：**

- 1、额定工作电压 AC660V；
- 2、额定绝缘电压 690V；
- 3、额定工作电流 不大于63A；
- 4、工频耐受电压 2500V/Min；
- 5、B相中心到隔板中心 125mm；

**Technical parameters：**

- 1.Rated working voltage AC660V
- 2.Rated insulation voltage 690V
- 3.Rated working current Less than 63A;
- 4.Power frequency withstand voltage: 2500V/Min;
- 5.Phase B centre to partition plate centre 125mm

注：1、除DXFZ5.1外其他带1/4抽屉的转接单元在使用时请注意柜体中间型材均按照侧出线时型材位置布置(同标准型柜型)。

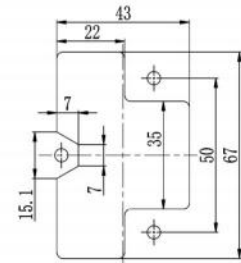
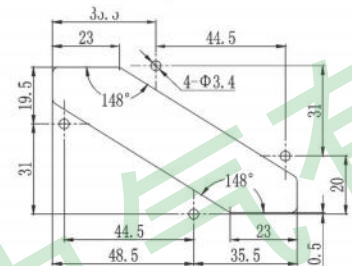
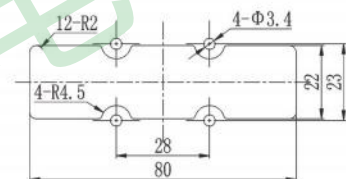
2、混装的转接单元：1/2抽屉可以按照24线加工，请注明是按照298抽屉中心距离还是按照283抽屉中心距离加工。

Note :1. When condapter is for 1/4 drawer switchgear middle profile,Please pay attention the side wiring profile will be used(Same as standard cubicles)

2.Mixed type condapter unit: 1/2 drawer will be in 24 wires, please specify drawer central distance in 298MM or 283MM

**DXFZ系列薄型转接器一次,二次插头**

DXFZ series condapter primary and secondary connectors


 DLC1.2221  
 125A一次插头268mm  
 125A Primary plug 268mm

 DXTC-1.371(63A)  
 进线插头(8E/4)  
 Incoming plugs(8E/4)

 DXTC-1.372(63A)  
 出线插头(8E/4)  
 Outgoing plugs(8E/4)


## DLC1型手拉8E/2单元抽屉

DLC1 series hand pull operating mechanism for 8E/2



### 功能及操作简介

- ①该机构抽屉为手拉推进操作方式,操作简单方便,锁定可靠。抽屉高度H=200。
- ②机构具有三位置显示、锁定、联锁等功能。手柄高度H=75。
- ③抽屉为后出线结构,抽屉电流: 125A;二次16线、24线、32线。
- ④试验位置到连接位置行程为24mm。试验位置: 一次断开,二次连接;连接位置: 一次二次连接。
- ⑤机构可实现现在试验位置和连接位置同时提供1组1开1闭转换开关,常规机构只在试验位置1组1开1闭。
- ⑥抽屉位置指示通过旋转箭头指示对应位置区域来指示。
- ⑦抽屉可以在按住左拉手上的解锁按钮推进抽屉到连接位置,分合闸手柄合闸后机构锁杆透过抽屉底板,锁定层隔板上的定位块,同时解锁按钮被锁定抽屉无法进出,手柄分闸后解锁,抽屉可按解锁按钮抽出。
- ⑧8E/2抽屉侧板常规采用金属侧板,如需要塑料的请特殊注明。

### Function and operation description

- ①Mechanism is operated by hand, which is easy to operate and reliable to lock. Drawer height H=200mm.
- ②The mechanism has three position : display, locking, interlocking. Handle height H=75.
- ③Back wiring structure drawer, current: 63A, secondary 16 line.

- ④Travel distance from test to connection position is 24mm. Test position: primary disconnection, secondary in connections; Connection position: primary and secondary all in connections

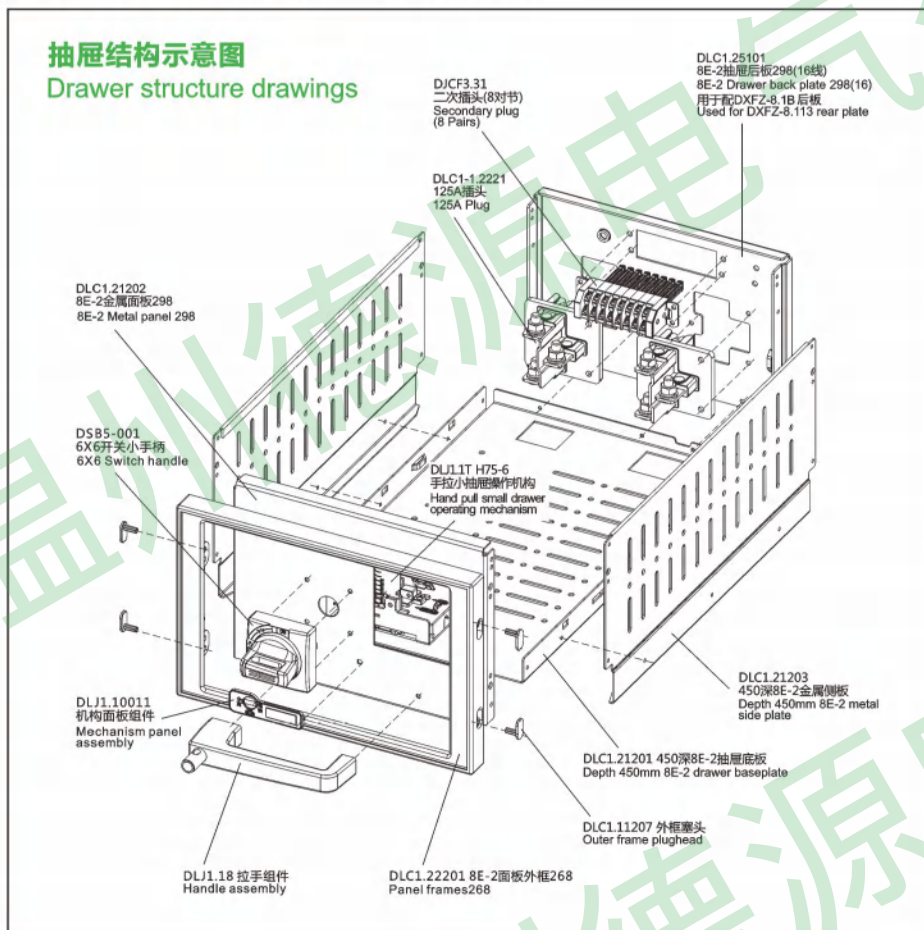
- ⑤The mechanism can provide 1 set of 10N 1 OFF conversion switches at both test position and connection position. Regular can only provide 1 set of 1 ON 1 OFF at the test position.

- ⑥Drawer position indicator is indicated by rotating the arrow to indicate the corresponding position area.

- ⑦The drawer can be pushed into the connecting position by pressing and holding the unlock button on the left pull hand. After closing handle is closed, the mechanism lock lever will pass through the bottom board of the drawer and lock the positioning block on the layer partition. Meanwhile, the unlock button is locked, and the drawer can be unlocked after the handle is locked, and the drawer can be pulled out by pressing the unlock button.

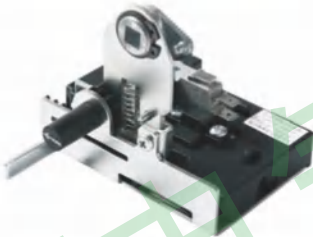
- ⑧8E/4 drawer side plate will be plastic side generally, please specify if metal needed.

### 抽屉结构示意图 Drawer structure drawings



## DLJ1型手拉机构(用于8E/2单元抽屉)

DLJ1 hand pull operating mechanism (For 8E/2 unit drawer)



DLJ1  
手拉小抽屉操作机构  
Hand pull small drawer  
operating mechanism

82,119 for choice.

- ③ The mechanism reduces the resistance of the operating lever when the switch trips, so that the rotation force of the handle cannot reduce to Trip.
- ④ Travel distance from test to connection position is 24mm.
- ⑤ The mechanism can provide 1 set of 10N 1 OFF conversion switches at both test position and connection position. Regular can only provide 1 set of 1 ON 1 OFF at the test position.
- ⑥ The mechanism can add 1ON and 1OFF switch at the unlocking button to realize mechanical and electrical interlocking.

### 工作位置说明

**分离位置:**箭头指示“分离”区域,此位置抽屉可以离开柜体。按住解锁按钮可以推进抽屉到试验、连接位置。

**试验位置:**箭头指示“试验”区域,此位置抽屉二次回路接通,按住解锁按钮可以推进抽屉到连接位置或抽出到分离位置。

**连接位置:**箭头指示“连接”区域,此位置抽屉一二次回路接通,主开关合闸后机构锁定,抽屉锁定不能进出,手柄分闸后机构解锁,按住解锁按钮可以抽出抽屉到分离或试验位置。

### Working position description

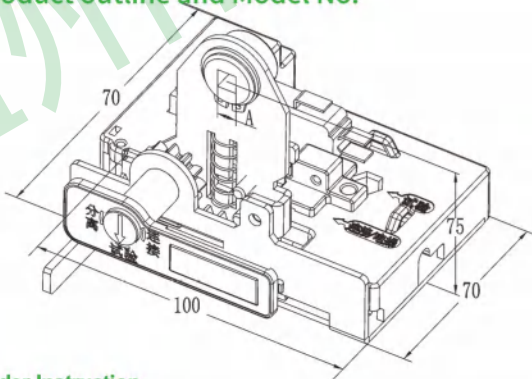
**Isolation position:** When the arrow indicates the "isolation" area, it can leave the switchgear. Press and hold the unlock button to push the drawer to the test and connect position.

**Test position:** When the arrow indicates the "test" area, secondary loop is connected. Press and hold the unlock button to push the drawer to the connection position or extract it to the isolation position.

**Connection position:** When the arrow indicates the "connection" area, the primary and secondary loop of the drawer is connected. The lock mechanism is locked after the main switch is closed, and the drawer cannot be locked in and out to Isolation or Test position.

## 产品外形及型号

Product outline and Model No.



方轴 Square shaft	型号 Model No.	带1组开关 With 1 set switches	带2组开关 With 2 set switches	电机型号 Motor model no.
A=6.2X6.2	DLJ1.1T	DLJ1.1C	DLJ1.1D	
A=8.2X8.2	DLJ1.2T	DLJ1.2C		

### 订货须知

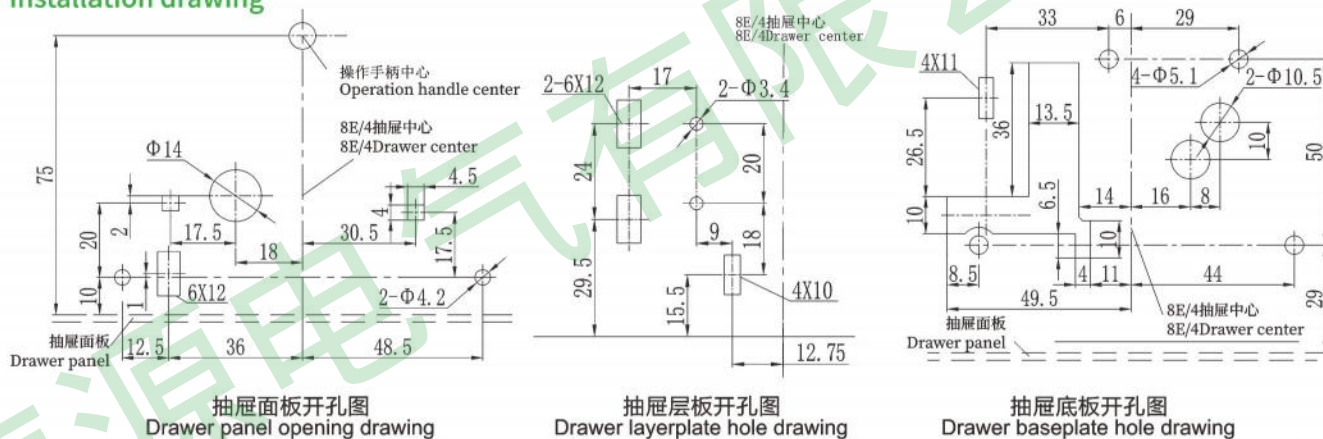
- 1、订货时请注明机构详细型号及功能。
- 2、带1组开关指试验位置1开1闭,带2组开关指试验和工作位置均1开1闭。
- 3、如有疑问请联系我司技术部,可提供完整抽屉图纸供参考。

### Order Instruction

1. Please indicate the detailed model and function of the mechanism when ordering.
2. With one sets switches in test position 1ON-1OFF; with two sets of switches means test and working position all in 1ON-1OFF;
3. If any questions, please contact our technical department. Technical drawings will be provided if need.

—SUPERSET低压配电柜附件

安装尺寸图  
Installation drawing

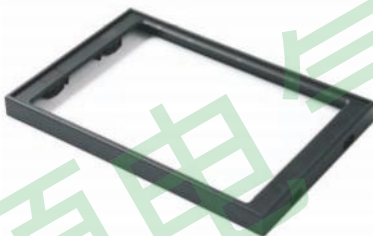


其他附件  
Other fittings

DLC1.11209 450深下导轨  
DLC1.11209 450MM depth guide rail

DLC1.21204 8E-2面板外框298  
DLC1.21204 8E-2 Panel frames 298

DLJ1.18 拉手组件  
DLJ1.18 Handle



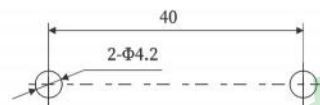
可订400、500规格  
400MM, 500mm can also be customized.



DLT1.21 标签框  
DLT1.21 Labelbox



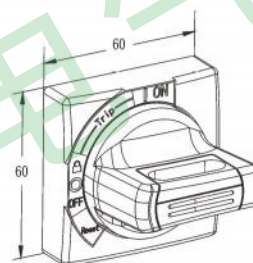
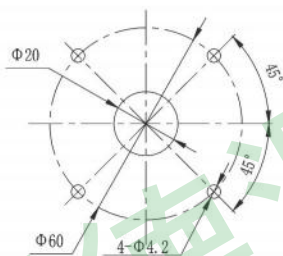
标签框外形示意图  
Outline of the label frame



钣金开孔图  
Sheetmetal opening diagram

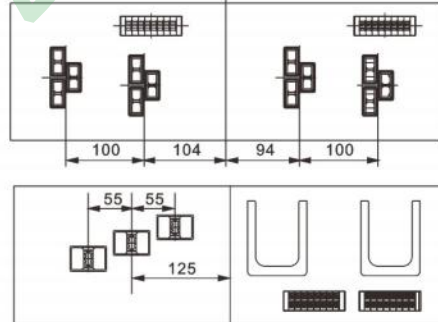


DSB5-001/002 手柄 handle  
备注:轴孔 6X6/8X8



**DXFZ-8B型三极125A后出线薄型电路分配转接器**

DXFZ-8B Type 3Poles 125A back wiring thin-type circuit distribution condapter



产品型号 Model No. And specification	外形尺寸 Overall dimensions	备注 Note
DXFZ-8.1B/16	175X549X45	KB型材 开档550 KB Profile Open size 550
DXFZ-8.3B/16	175X539X45	KS型材 开档540 KS Profile Open size 540
DXFZ-8.4B/16	125X549X45	KB型材 150抽屉 KB Profile Open size 150
DXFZ-8.5B/16	135X539X45	KS型材 开档540 KS Profile Open size 540

**技术参数:**

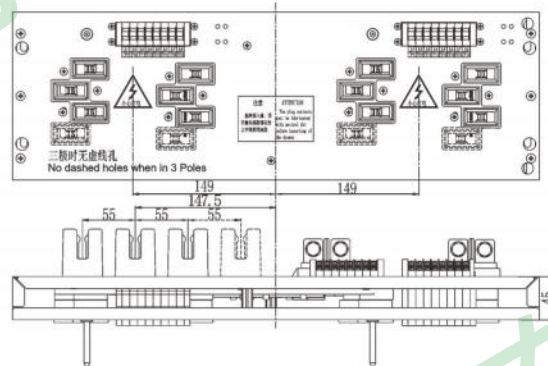
1. 额定工作电压 AC690V;
2. 额定绝缘电压 1000V;
3. 额定工作电流 不大于125A;
4. 工频耐受电压 2500V/Min;
5. 二次线数量(单抽) 16、24、32线

**Technical parameters:**

1. Rated working voltage AC690V
2. Rated insulation voltage 1000V
3. Rated working current Less than 125A;
4. Power frequency withstand voltage: 2500V/Min;
5. Number of secondary lines (single drawing) 16, 24, 32 wires

**DXFZ-9四(三)极125A后出线薄型电路分配转接器**

DXFZ-9 Series 4(3)Poles 125A back wiring thin-type circuit distribution condapter



此规格产品三极四极同柜时母线不用非标折弯仍为垂直排  
 When 3Poles and 4Poles are in one cubicle, busbar is still in vertical type, no need to customized bending

产品型号 Model No. And specification	相数 Poles	外形尺寸 Overall dimensions	备注 Note
DXFZ-9S.11/16	4极:4P	175X549X45	KB型材 开档550 KB Profile Open size 550
DXFZ-9S.13/16	4极:4P	175X539X45	KS型材 开档540 KS Profile Open size 540
DXFZ-9S.21/16	3极:3P	175X549X45	KB型材 150抽屉 KB Profile Open size 150
DXFZ-9S.23/16	3极:3P	175X539X45	KS型材 开档540 KS Profile Open size 540

**技术参数:**

1. 额定工作电压 AC690V;
2. 额定绝缘电压 1000V;
3. 额定工作电流 不大于125A;
4. 工频耐受电压 2500V/Min;
5. 二次线数量(单抽) 16、24线

**Technical parameters:**

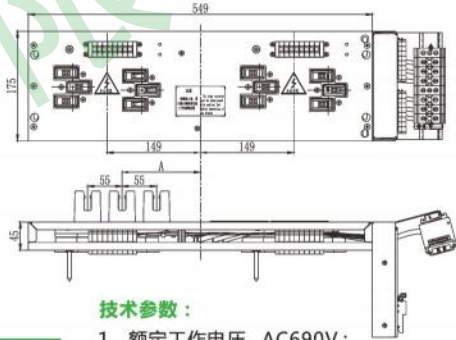
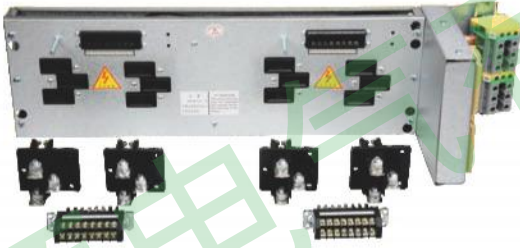
1. Rated working voltage AC690V
2. Rated insulation voltage 1000V
3. Rated working current Less than 125A;
4. Power frequency withstand voltage: 2500V/Min;
5. Number of secondary lines (single drawing) 16, 24 wires

注: 1/2转接器如果需要其他规格或要求(如抽屉中心距离为283mm等) 请参考我们公司第1本样册或登入我们公司网站  
 查阅详细信息或来电咨询。

Note: If 1/2 condapter other specifications or requirements (e.g.: drawer center distance 283mm) Please refer to our website or call us directly

**DXFZ-8(9)型 三(四)极125A旁出线薄型电路分配转接器**

DXFZ-8(9) Series 3(4)Poles 125A side wiring thin-type circuit distribution condapter



产品型号 Model No. And specification	相数 Poles	A	外形尺寸 Overall dimensions	备注 Note
DXFZ-8.21B/16	3极:3P	125	175X549X45	KB型材 开档550 KB Profile Open size 550
DXFZ-9S.31/16	4极:4P	147.5	175X549X45	KB型材 开档550 KB Profile Open size 550
DXFZ-9S.33/16	4极:4P	147.5	175X539X45	KS型材 开档540 KS Profile Open size 540
DXFZ-9S.41/16	3极:3P	147.5	175X549X45	KB型材 开档550 KB Profile Open size 550
DXFZ-9S.43/16	3极:3P	147.5	175X539X45	KS型材 开档540 KS Profile Open size 540

**技术参数:**

1. 额定工作电压 AC690V;
2. 额定绝缘电压 1000V;
3. 额定工作电流 不大于125A;
4. 工频耐受电压 2500V/Min;
5. 二次线数量(单抽) 16、24、32线

**Technical parameters:**

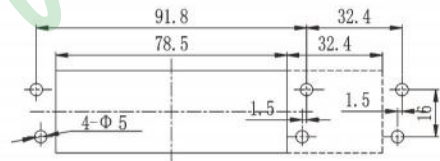
1. Rated working voltage AC690V
2. Rated insulation voltage 1000V
3. Rated working current Less than 125A;
4. Power frequency withstand voltage: 2500V/Min;
5. Number of secondary lines (single drawing) 16, 24, 32 wires

**DXFZ系列薄型转接器一次,二次插头**

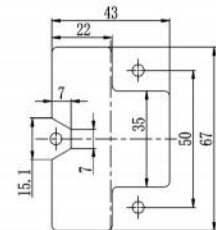
DXFZ series condapter primary and secondary connectors



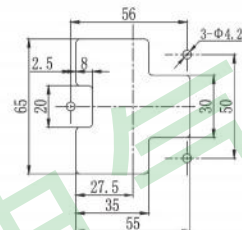
DJCF5.31/\_ (短)  
DJCF3.31/\_ (长)  
二次插头  
Secondary plugs



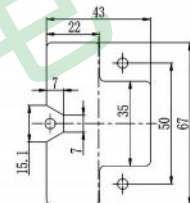
DLC1.2221  
125A一次插头268mm  
125A Primary plug 268mm



DXTC-1.313  
3极125A一次插头  
3Poles 125A primary plugs



4极125A一次插头  
DXTC-1.322  
4Poles 125A primary plugs



## DLC2型手拉单元抽屉

### DLC2 series hand pull operating mechanism for drawer unit



#### 功能及操作简介

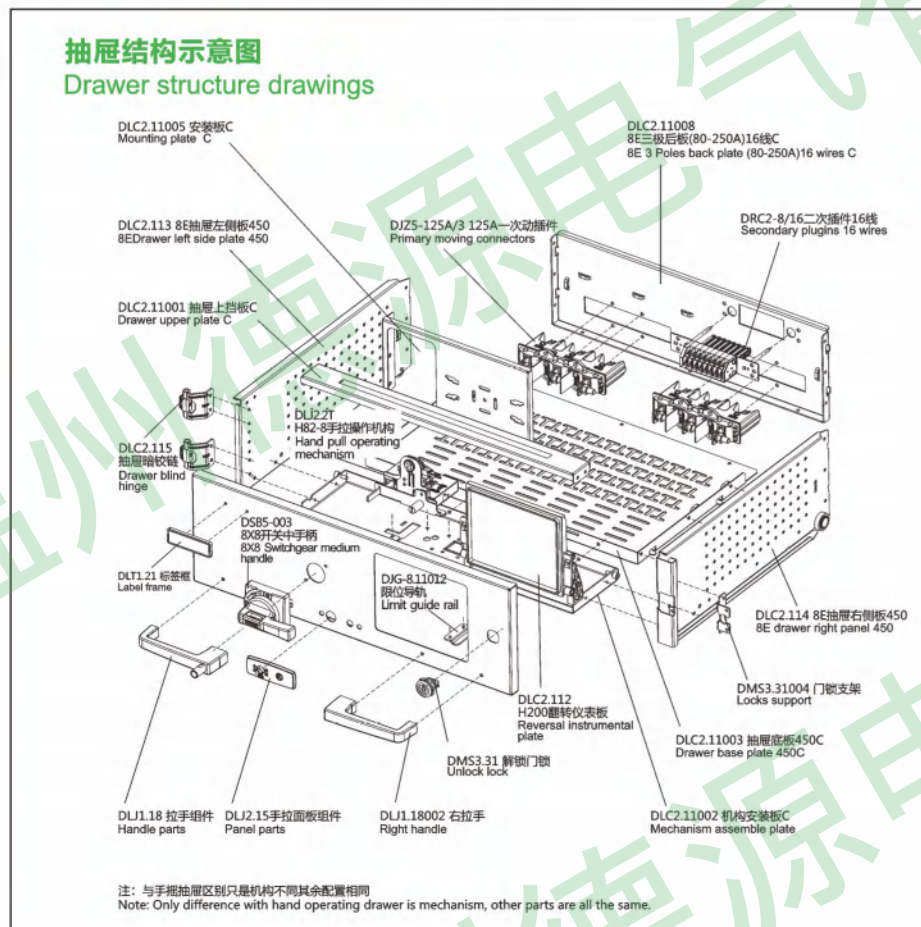
- 1、该机构抽屉为手拉推进操作方式,操作简单方便,锁定可靠。抽屉高度H=150、200、300、400、600。
- 2、机构具有三位置显示、锁定、联锁等功能。手柄高度67、82、119三种。
- 3、抽屉为后出线结构,抽屉电流:125A、250A、400A、630A。
- 4、试验位置到连接位置行程为24mm。试验位置:一次断开,二次连接。连接位置:一次二次连接。
- 5、机构可在试验位置和连接位置同时提供1组1开1闭转换开关,常规只在试验位置1组1开1闭。
- 6、抽屉位置指示通过旋转箭头指示对应位置区域来指示。
- 7、抽屉可以在按住左拉手上的解锁按钮推进抽屉到连接位置,分合闸手柄合闸后机构锁杆透过抽屉底板,锁定层隔板上的定位块,同时解锁按钮被锁定抽屉无法进出,手柄分闸后解锁,抽屉可按解锁按钮抽出。

#### Function and operation description

- 1.Mechanism is operated by hand, which is easy to operate and reliable to lock. Drawer height H=150,200,300,400,600mm.
- 2.The mechanism has three position : display, locking, interlocking.Handle height H=67, 82,119 for choice.
- 3.Back wiring sturcture drawer, current: 125A, 250A, 400A, 630A4.Travel distance from test to connection position is 24mm.Test position: primary disconnection, secondary in connections; Connection position: primary and secondary all in connections5.The mechanism can provide 1 set of 10N 1 OFF conversion switches at both test position and connection position.Regular can onlyprovide 1 set of 1 ON 1 OFF at the test position.6.Drawer position indicator is indicated by rotating the arrow to indicate the corresponding position area.7.The drawer can be pushed into the connecting position by pressing and holding the unlock button on the left pull hand. After closinghandle is closed, the mechanism lock lever will pass through the bottom board of the drawer and lock the positioning block on the layerpartition. Meanwhile, the unlock button is locked, and the drawer can be unlocked after the handle is locked, and the drawer can be pulledout by pressing the unlock button.

#### 抽屉结构示意图

#### Drawer structure drawings



## DLC3型手摇单元抽屉

## DLC3 series hand cranked operating mechanism for drawer unit



## 功能及操作简介

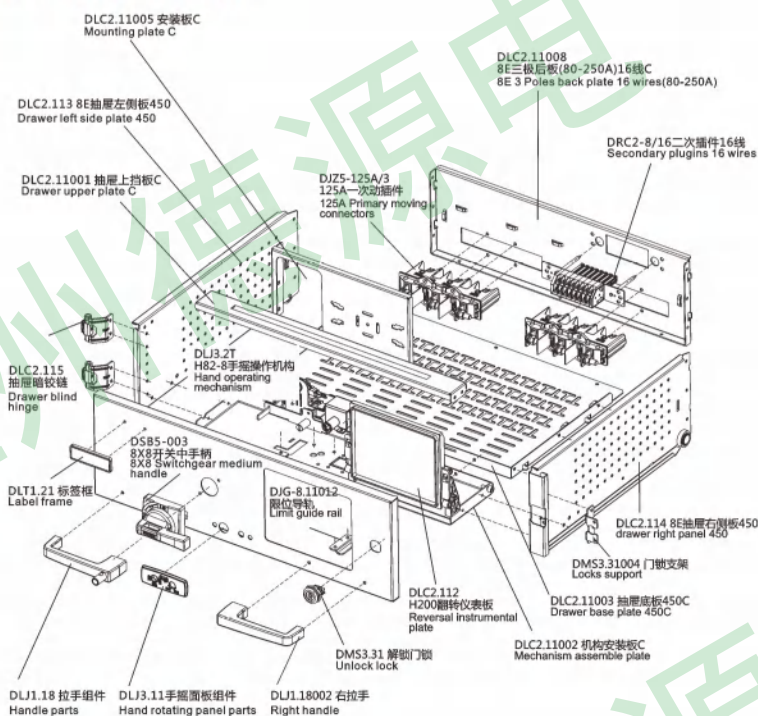
1. 该机构抽屉为手摇推进操作方式,操作简单方便,操作力小,锁定可靠。抽屉高H=150、200、300、400、600。
2. 机构具有三位置显示、锁定、联锁等功能。手柄高度67、82、119三种。
3. 抽屉为后出线结构,抽屉电流: 125A、250A、400A、630A。
4. 试验位置到连接位置行程为24mm。试验位置: 一次断开,二次连接。连接位置: 一次二次连接。
5. 机构可实现现在试验位置和连接位置同时提供1组1开1闭转换开关,常规只在实验位置1组1开1闭。
6. 抽屉位置指示通过旋转箭头指示对应位置区域来指示。
7. 抽屉从分离位置到试验位置插件无接插力,抽屉可以直接推到试验位置,从试验位置到工作位置需要按住左拉手上的解锁按钮同时顺时针摇进抽屉到连接位置,分闸手柄合闸后机构锁杆锁定抽屉同时锁定摇把孔,抽屉无法进出。手柄分闸后抽屉解锁,按住解锁按钮可用摇把逆时针摇出抽屉。

## Function and operation description

1. Mechanism is operated by hand rotating, which is easy to operate and reliable to lock. Drawer height H=150,200,300,400,600mm.
2. The mechanism has three position : display, locking, interlocking. Handle height H=67, 82,119 for choice.
3. Back wiring structure drawer, current: 125A, 250A, 400A, 630A

## 抽屉结构示意图

## Drawer structure drawings



注: 与手拉抽屉区别只是机构不同其余配置相同  
Note: Only difference with hand rotating drawer is mechanism, other parts are all the same.

4. Travel distance from test to connection position is 24mm. Test position: primary disconnection, secondary in connections; Connection position: primary and secondary all in connections
5. The mechanism can provide 1 set of 10N 1 OFF conversion switches at both test position and connection position. Regular can only provide 1 set of 1 ON 1 OFF at the test position.
6. Drawer position indicator is indicated by rotating the arrow to indicate the corresponding position area.
7. The drawer can be pushed into the connecting position by pressing and holding the unlock button on the left pull hand. After closing handle is closed, the mechanism lock lever will pass through the bottom board of the drawer and lock the positioning block on the layerpartition. Meanwhile, the unlock button is locked, and the drawer can be unlocked after the handle is locked, and the drawer can be pulled out by pressing the unlock button.

## DLC2型手拉侧出线单元抽屉

DLC2 series hand pull operating mechanism for drawer unit



### 功能及操作简介

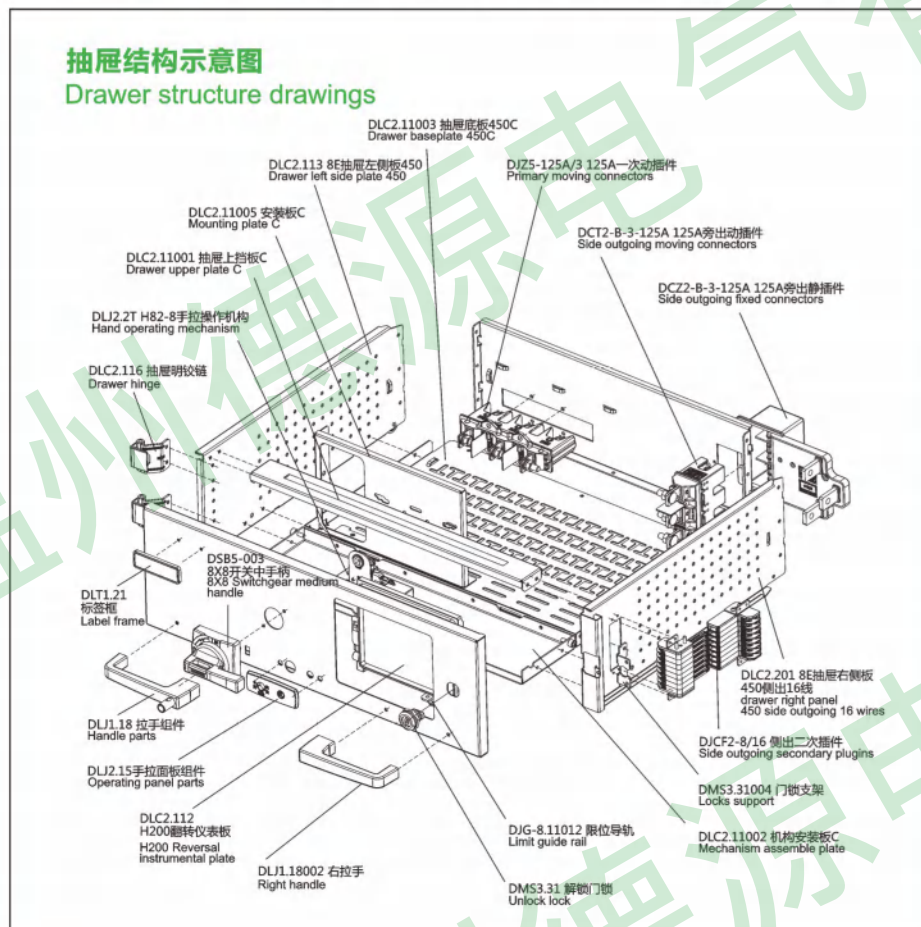
- 1、该抽屉为侧出线方案可采用手拉推进或手摇推进操作方式,均可实现一、二次侧出。抽屉高度H=150、200、300、400、600。
- 2、机构具有三位置显示、锁定、联锁等功能。手柄高度67、82、119三种。
- 3、抽屉为后出线结构, 抽屉电流: 125A 250A、400A、630A。
- 4、试验位置到连接位置行程为24mm。试验位置: 一次断开,二次连接。连接位置: 一次二次连接。
- 5、机构可实现同时在试验位置和连接位置同时提供1组1开1闭转换开关,常规只在试验位置1组1开1闭。
- 6、抽屉位置指示通过旋转箭头指示对应位置区域。
- 7、抽屉可以在按住左拉手上的解锁按钮推进抽屉到连接位置,分合闸手柄合闸后机构锁杆透过抽屉底板锁定层隔板上的定位块,同时解锁按钮被锁定抽屉无法进出,手柄分闸后解锁,抽屉可按解锁按钮抽出。

### Function and operation description

- 1.The drawer is for side wiring by hand operating or hand rotating mechanism, can get primary, secondary side wiring, drawer height=150,200,300,400,600mm.
- 2.The mechanism has three position : display, locking, interlocking.Handle height H=67, 82,119 for choice.

### 抽屉结构示意图

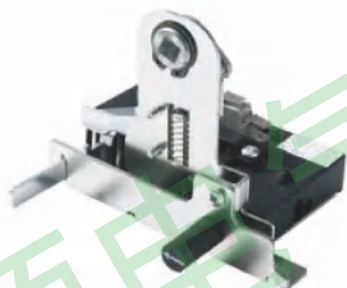
#### Drawer structure drawings



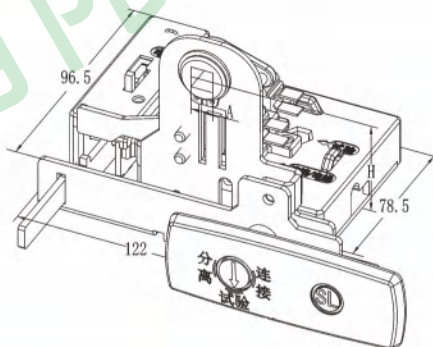
3. Back wiring structure drawer, current: 125A, 250A, 400A, 630A
- 4.Travel distance from test to connection position is 24mm.Test position: primary disconnection, secondary in connections; Connectionposition: primary and secondary all in connections
- 5.The mechanism can provide 1 set of 1ON 1 OFF conversion switches at both test position and connection position.Regular can onlyprovide 1 set of 1 ON 1 OFF at the test position.
- 6.Drawer position indicator is indicated by rotating the arrow to indicate the corresponding position area.
- 7.The drawer can be pushed into the connecting position by pressing and holding the unlock button on the left pull hand. After closinghandle is closed, the mechanism lock lever will pass through the bottom board of the drawer and lock the positioning block on the layerpartition. Meanwhile, the unlock button is locked, and the drawer can be unlocked after the handle is locked, and the drawer can be pulledout by pressing the unlock button.

专利产品 仿制必究  
Patented products are not to be copied

**DLJ2型手拉机构(适用于单元抽屉)**  
DLJ2 series hand pull operating mechanism (For unit drawer)



DLJ2手拉操作机构  
DLJ2Hand pull operating mechanism



**功能及操作简介**

1. 该机构为手拉推进式操作机构,操作简单方便,锁定可靠。
2. 机构具有三位置显示、锁定、联锁等功能。手柄高度H=67、82、119;方轴规格8X8、10X10。
3. 机构联锁简单减少开关跳闸时操作杆的阻力,使开关跳闸后面板上的手柄旋转力不减少能转到Trip位置。
4. 试验位置到连接位置行程为24mm。
5. 机构可实现现在试验位置和连接位置同时提供1组1开1闭转换开关,常规只在试验位置1组1开1闭。
6. 机构可在解锁按钮处增加1开1闭转换开关实现机械电气互锁。

**工作位置说明**

**分离位置:**箭头指示"分离"区域,此位置抽屉可以离开柜体。按住解锁按钮可以推进抽屉到试验、连接位置。  
**试验位置:**箭头指示"试验"区域,此位置抽屉二次回路接通,按住解锁按钮可以推进抽屉到连接位置或抽出到分离位置。  
**连接位置:**箭头指示"连接"区域,此位置抽屉二次回路接通,主开关合闸后机构锁定,抽屉锁定不能进出,手柄分闸后机构解锁,按住解锁按钮可以抽出抽屉到分离或试验位置。

**产品型号表**  
Product Lists

方轴 Square shaft	型号 Model No.	带1组开关 With 1 set switches	带2组开关 With 2 set switches	方轴A Square shaft A	电操型号 Motor model no.
H=67	DLJ2.1T	DLJ2.1C			
H=82	DLJ2.2T	DLJ2.2C		8X8	
H=119	DLJ2.3T	DLJ2.3C			DLJ2.1D
H=82	DLJ2.4T	DLJ2.4C		10X10	
H=119	DLJ2.5T	DLJ2.5C			

**Order Instruction:**

1. Please indicate the detailed model and function of the mechanism when ordering.
2. With one sets switches in test position 10N-1OFF; with two sets of switches means test and working position all in 10N-1OFF;
3. f any questions, please contact our technical department. Technical drawings will be provided if need.

**Function and operation description**

1. Hand operating mechanism, with simple and convenient operation, locking reliable.
2. The mechanism has three position : display, locking, interlocking. Handle height H=67, 82, 119 for choice. Shaft size 8X8, 10X10
3. The mechanism reduces the resistance of the operating lever when the switch trips, so that the rotation force of the handle cannot reduce to Trip
4. Travel distance from test to connection position is 24mm.
5. The mechanism can provide 1 set of 10N 1 OFF conversion switches at both test position and connection position. Regular can only provide 1 set of 1 ON 1 OFF at the test position.
6. The mechanism can add 10N and 10FF switch at the unlocking button to realize mechanical and electrical interlocking.

**Working position description**

**isolation position:** When the arrow indicates the "isolation" area, it can leave the switchgear. Press and hold the unlock button to push the drawer to the test and connect position.  
**Test position:** When the arrow indicates the "test" area, secondary loop is connected. Press and hold the unlock button to push the drawer to the connection position or extract it to the isolation position.  
**Connection position:** When the arrow indicates the "connection" area, the primary and secondary loop of the drawer is connected. The lock mechanism is locked after the main switch is closed, and the drawer cannot be locked in and out to Isolation or Test position.

**订货须知:**

1. 订货时请注明机构详细型号及功能。
2. 带1组开关指试验位置1开1闭,带2组开关指试验和工作位置均1开1闭。
3. 如有疑问请联系我司技术部,可提供完整抽屉图纸供参考。

## DLJ3型手摇机构(适用于单元抽屉)

### DLJ3 series hand cranked operating mechanism ( For drawer unit)

#### 功能及操作简介

1. 该机构为手摇推进式操作机构,操作简单方便,锁定可靠,适用于操作电流大的抽屉单元。
2. 机构具有三位置显示、锁定、联锁等功能。手柄高度H=67、82、119;方轴规格8X8、10X10。
3. 机构联锁简单能减少开关跳闸时操作杆的阻力,使开关跳闸后面板上的手柄旋转力不减少能转到Trip位置。
4. 试验位置到连接位置行程为24mm。增加限位导轨提高抽屉精度并减少机构安装板变形带来的插拔困难。
5. 机构可实现在试验位置和连接位置同时提供1组1开1闭转换开关,常规只在试验位置1组1开1闭。
6. 机构可在解锁按钮处增加1开1闭转换开关实现机械电气互锁。



DLJ3型手摇机构  
DLJ3 Hand cranked mechanism

#### 工作位置说明

1. 分离位置:箭头指示"分离"区域,此位置抽屉可以离开柜体。按住解锁按钮可以推进抽屉到试验、连接位置。
2. 试验位置:箭头指示"试验"区域,此位置抽屉二次回路接通,按住解锁按钮可以推进抽屉到连接位置或抽出到分离位置。
3. 连接位置:箭头指示"连接"区域,此位置抽屉一二次回路接通,主开关合闸后机构锁定,抽屉锁定不能进出,手柄分闸后机构解锁,按住解锁按钮可以抽出抽屉到分离或试验位置。

#### 机构操作说明

1. 分离位置-试验位置:按住解锁按钮(或不按)可以推进抽屉到试验位置;按住解锁按钮可以将抽屉从试验位置拉出到分离位置。
2. 试验位置连接位置:按住解锁按钮,顺时针摇动摇把推进抽屉到连接位置;反之按住解锁按钮,逆时针摇动摇把把抽屉从连接位置摇到试验位置。
3. 注:摇进部件只是作为抽屉试验位置到工作位置插件受力时抽屉推进的助力机构。也只在这2个位置切换时使用。

#### Function and operation description

1. Hand rotating mechanism with simple and convenient operation, locking reliable, used for large current unit drawer
2. The mechanism has three position : display, locking, interlocking. Handle height H=67, 82, 119 for choice. Shaft size 8X8, 10X10
3. The mechanism reduces the resistance of the operating lever when the switch trips, so that the rotation force of the handle cannot reduce to Trip
4. Travel distance from test to connection position is 24mm, added limit guide rail to improve the drawer accuracy and reduce the difficulty of inserting and removing caused by the deformation of the installation plate of the mechanism.
5. The mechanism can provide 1 set of 1ON 1 OFF conversion switches at both test position and connection position. Regular can only provide 1 set of 1 ON 1 OFF at the test position.
6. The mechanism can add 1ON and 1OFF switch at the unlocking button to realize mechanical and electrical interlocking.

#### Working position description

1. Isolation position: When the arrow indicates the "isolation" area, it can leave the switchgear. Press and hold the unlock button to push the drawer to the test and connect position.
2. Test position: When the arrow indicates the "test" area, secondary loop is connected. Press and hold the unlock button to push the drawer to the connection position or extract it to the isolation position.
3. Connection position: When the arrow indicates the "connection" area, the primary and secondary loop of the drawer is connected. The lock mechanism is locked after the main switch is closed, and the drawer cannot be locked in and out to Isolation or Test position.

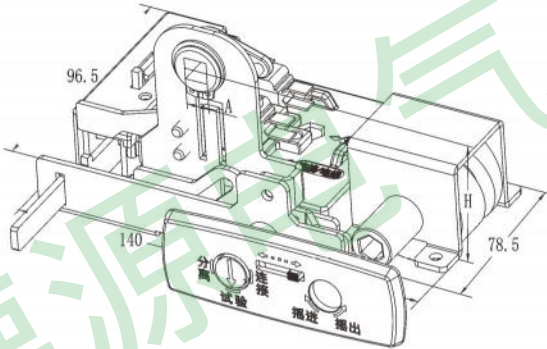
#### Operating Mechanism Instruction

1. Isolation position --test position: Press the unlock button or push the drawer to the test position; Press and hold the unlock button to pull the drawer out of the test position and into the isolation position.
2. Test position - connection position: Press unlock button, and push the handle in clockwise into the connection position; Instead, press the unlock button in anticlockwise to move the drawer from connection to test position.
3. Note: Rocker is only assistance tool for drawer from test position to work position, and only used when switching between these two positions.

产品外形及型号  
Product outline and Model No.

产品型号表  
Product Lists

方轴 Square shaft	型号 Model No.	带1组开关 With 1 set switches	带2组开关 With 2 set switches	方轴A Square shaft A	电操型号 Motor model no.
	H=67	DLJ3.1T	DLJ3.1C		
	H=82	DLJ3.2T	DLJ3.2C	8X8	
	H=119	DLJ3.3T	DLJ3.3C		DLJ3.1D
	H=82	DLJ3.4T	DLJ3.4C	10X10	
	H=119	DLJ3.5T	DLJ3.5C		



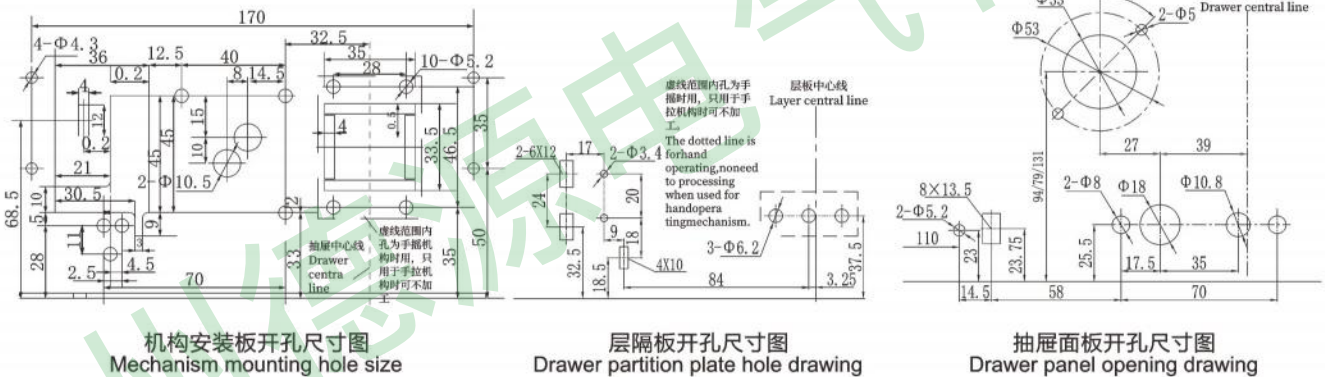
订货须知:

1. 订货时请注明机构详细型号及功能。
2. 带1组开关指试验位置1开1闭, 带2组开关指试验和工作位置均1开1闭。
3. 如有疑问请联系我司技术部, 可提供完整抽屉图纸供参考。

Order Instruction:

1. Please indicate the detailed model and function of the mechanism when ordering.
2. With one sets switches in test position 1ON-1OFF; with two sets of switches means test and working position all in 1ON-1OFF;
3. f any questions, please contact our technical department. Technical drawings will be provided if need.

安装尺寸图  
Installation drawing



DLJ3型手摇机构其他附件  
DLJ3 series hand cranked Other fittings



DLJ1.18002 右拉手  
DLJ1.18002 Right handle

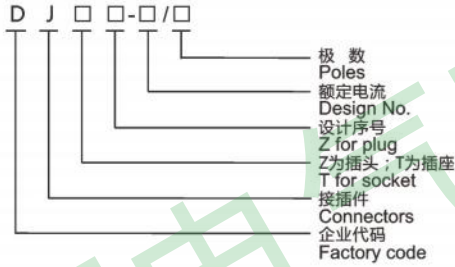
DLJ1.18 拉手组件  
DLJ1.18 Handle parts

DJG8.16 摇把  
DJG8.16 Swing handle

DJG-8.11012 限位导轨  
DJG-8.11012 Limit guide rail

DJZ5型主电路动插件(后出)

DJZ5 series main circuit connectors(Rear Wiring)

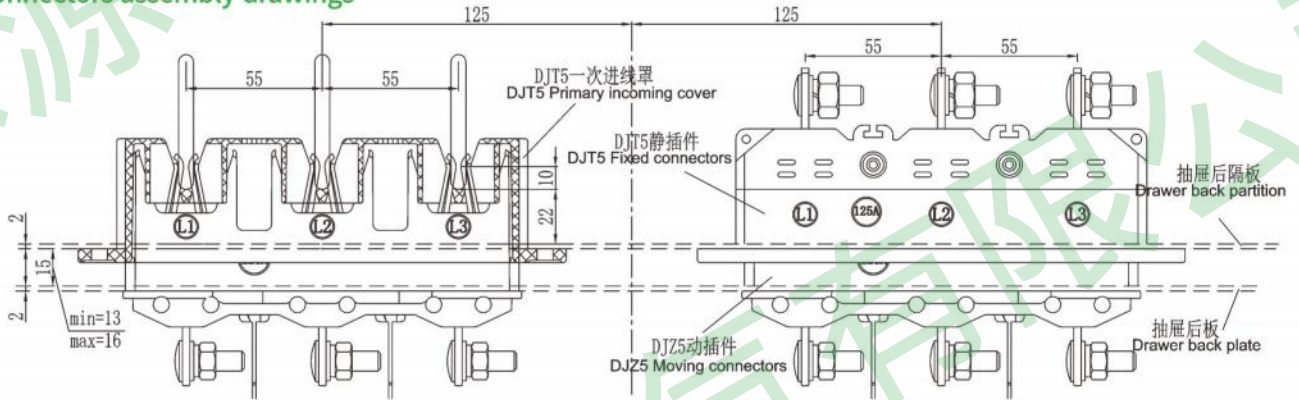


技术参数 Technical data

额定电压 Rated voltage: AC690V  
 额定电流 Rated current: 125A, 250A, 400A, 630A  
 额定绝缘电压 Rated insulation voltage: 1000V  
 额定工频耐受电压 Rated power frequency withstand voltage: 3500V  
 垂直母线相距 vertical busbars distance: 55mm  
 垂直母线厚度 vertical busbars thickness: 6mm

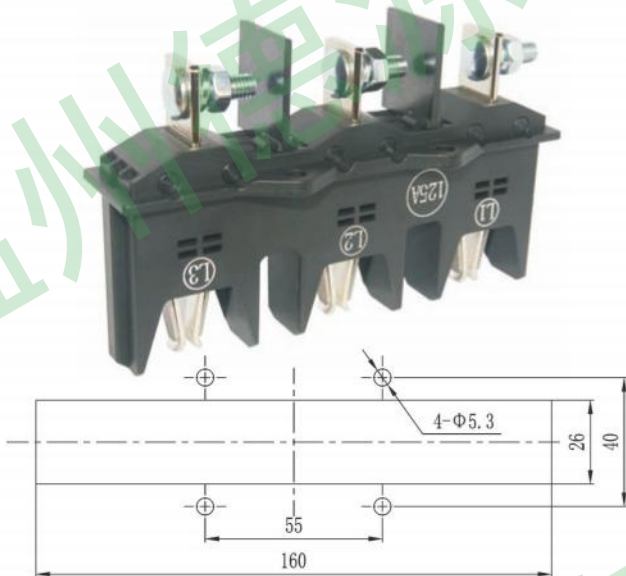
插件装配示意图

Connectors assembly drawings

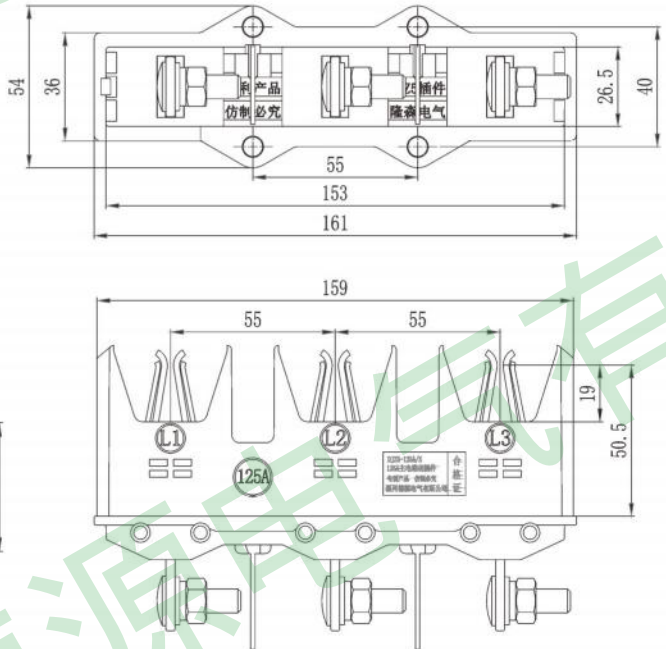


DJZ5-125A/3 125A一次动插件

DJZ5-125A/3 125A Primary moving connector



DJZ5-125A/3 125A动插件开孔示意图  
 DJZ5-125A/3 125A Hole dimension for moving connectors



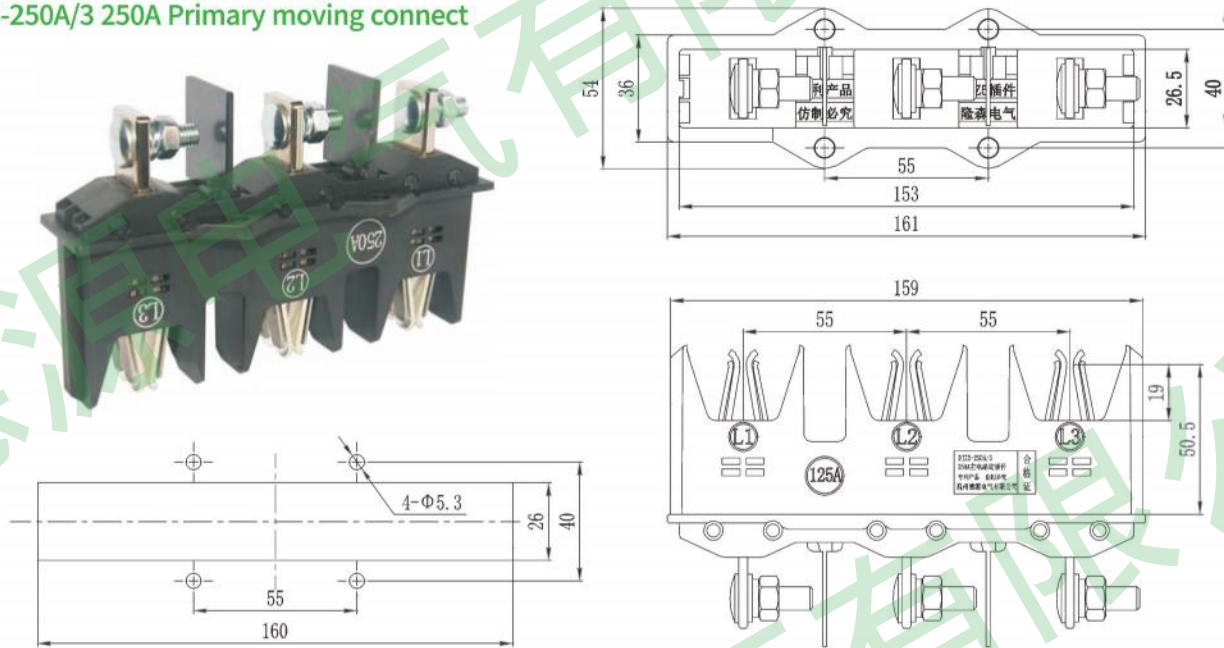
DJZ5-125A/3 125A动插件外形图  
 DJZ5-125A/3 125A Moving connectors outlines

**DJZ5型主电路动插件(后出)**

DJZ5 Series main circuit moving connectors(Rear Wiring)

**DJZ5-250A/3 250A一次动插件**

DJZ5-250A/3 250A Primary moving connect

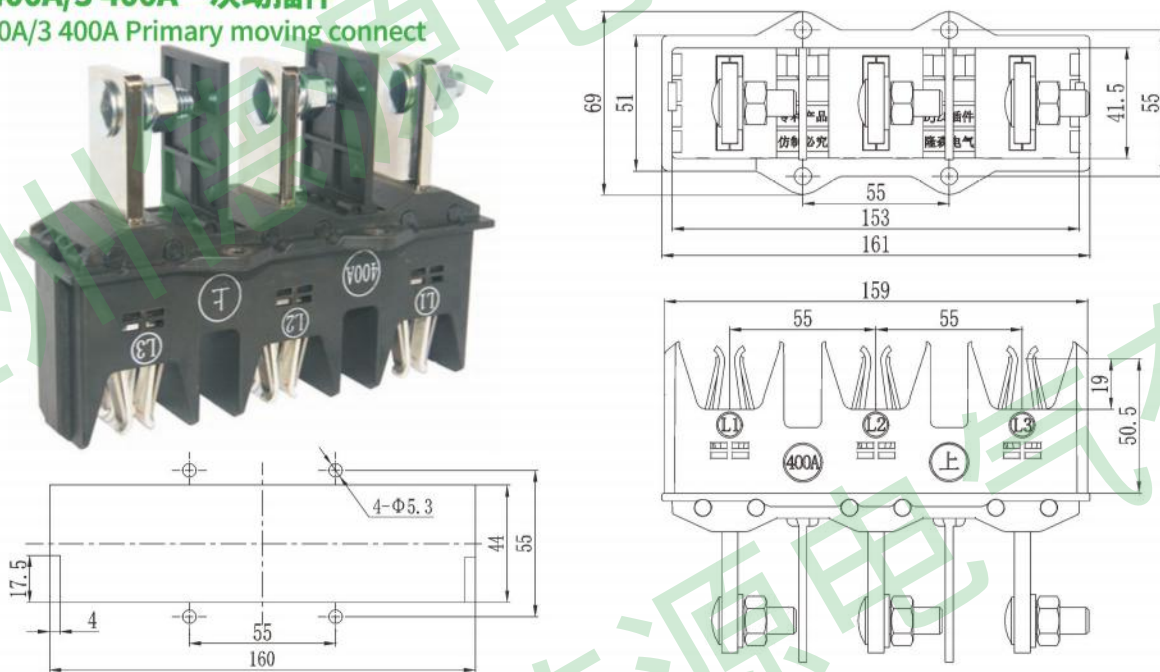


DJZ5-250A/3 250A动插件开孔示意图  
DJZ5-250A/3 250A Hole dimension for moving connectors

DJZ5-250A/3 250A动插件外形图  
DJZ5-250A/3 250A Moving connectors outlines

**DJZ5-400A/3 400A一次动插件**

DJZ5-400A/3 400A Primary moving connect



DJZ5-400A/3 400A动插件开孔示意图  
DJZ5-400A/3 400A Hole dimension for moving connectors

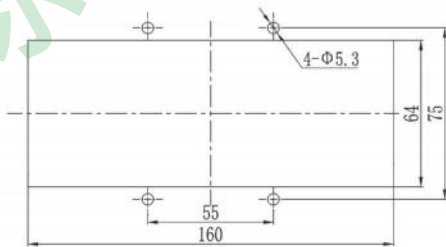
DJZ5-400A/3 400A动插件外形图  
DJZ5-400A/3 400A Moving connectors outlines

### DJZ5型主电路动插件(后出)

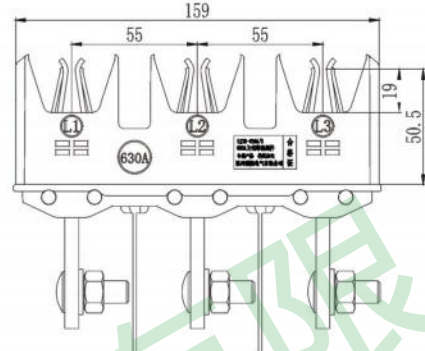
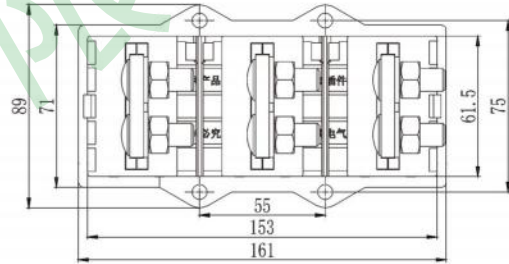
DJZ5 Series main circuit moving connectors(Rear Wiring)

### DJZ5-630A/3 630A一次动插件

DJZ5-630A/3 630A Primary moving connector



DJZ5-630A/3 630A动插件开孔示意图  
 DJZ5-630A/3 630A Hole dimension for moving connectors



DJZ5-630A/3 630A动插件外形图  
 DJZ5-630A/3 630A Moving connectors outlines

#### 产品特点:

1. 插件的插片结构采用鳄鱼结构设计原理, 插片的夹紧力更大, 插片与铜排接触面积更大, 导电效果更好。
2. 插件的弹片采用进口304高硬度不锈钢, 硬度均衡压力一致性高, 同时不锈钢隔磁减少因涡流引起的温升。
3. 动插件与静插件之间有导向装置, 先导向后接插, 减少因钣金制造的误差带来的插件插偏。
4. 插片与铜排接触位置对应的插头壳和插座壳均开有通风散热孔, 便于散热降低温升。

#### 订货须知:

1. 订货时请注明插件的详细型号, 名称及规格。
2. 如果有其他的特殊要求, 请与我公司技术部门联系。

#### Advantages:

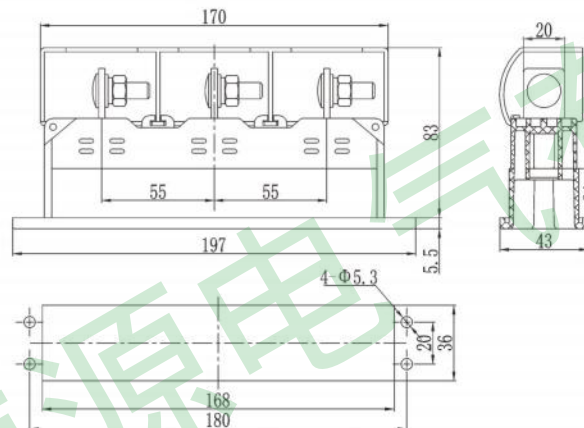
- 1.Connectors contacts in alligator structure with large clamping force, larger contact area between connector and busbar, better conductive.
- 2.Plugin contact in Imported 304 high-hardness stainless steel with high consistency of hardness and stainless steel magnetic isolation to reduce the temperature rise caused by eddy current.
- 3.Guide device between moving and fixed connectors,guide first then connectors,reduce offset caused by sheet metal fabrication errors.
- 4.Heat dissipation holes on contacts of the plug shell and socket, Helps dissipate heat and lowers temperature rise.

#### Order instruction:

- 1.Please indicate the detailed model, name and specification of the connectors when ordering.
- 2.Any special requirements, please contact our technical department.

### DJT5-125A/3 125A一次静插件

DJT5-125A/3 125A Primary fixed connector



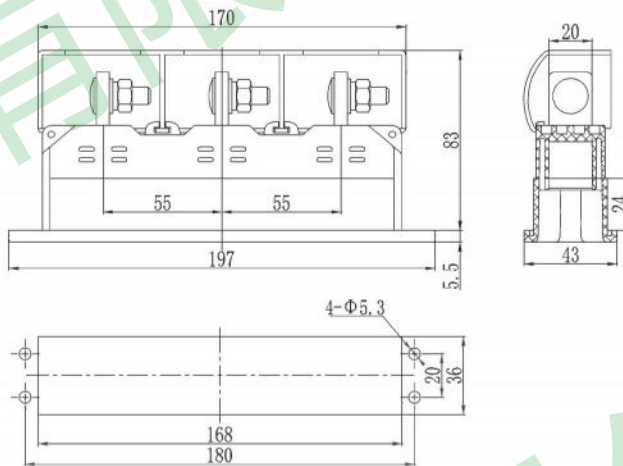
DJT5-125A/3 125A静插件外形及开孔图  
 DJT5-125A/3 125A Hole dimension for fixed connectors

**DJT5型主电路静插件(后出)**

DJT5 Series main circuit fixed connectors(Rear Wiring)

**DJT5-250A/3 250A一次静插件**

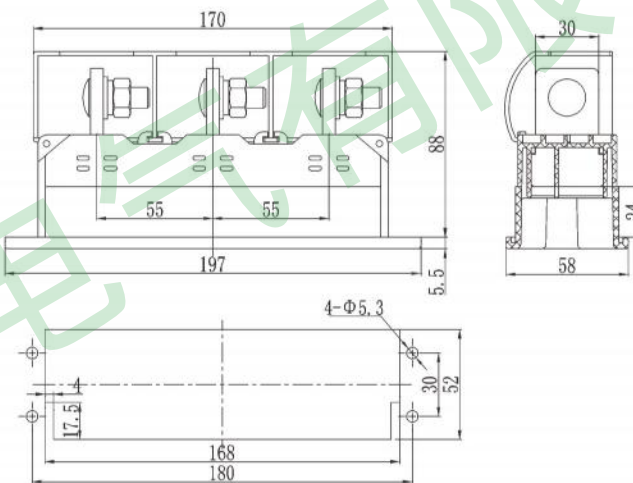
DJT5-250A/3 250A Primary fixed connector



DJT5-250A/3 250A静插件外形及开孔图  
DJT5-250A/3 250A Hole dimension for fixed connector

**DJT5-400A/3 400A一次静插件**

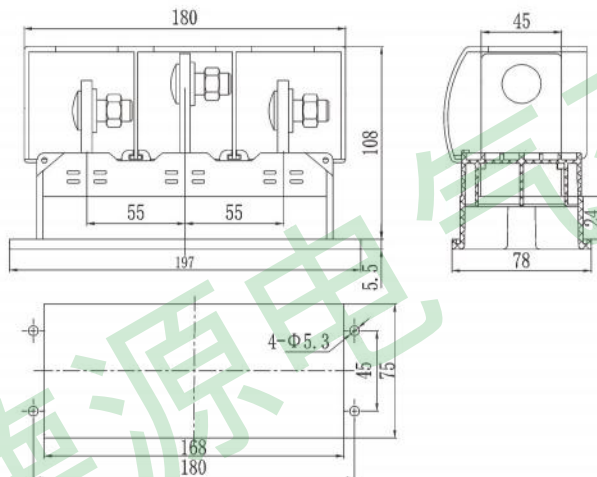
DJT5-400A/3 400A Primary fixed connector



DJT5-400A/3 400A静插件外形及开孔图  
DJT5-400A/3 400A Hole dimension for fixed connector

**DJT5-630A/3 630A一次静插件**

DJT5-630A/3 630A Primary fixed connector



DJT5-630A/3 630A静插件外形及开孔图  
DJT5-630A/3 630A Hole dimension for fixed connector

**DJT5一次进线罩**

DJT5 Primary incoming cover

**DJT5.11004 125A进线罩**

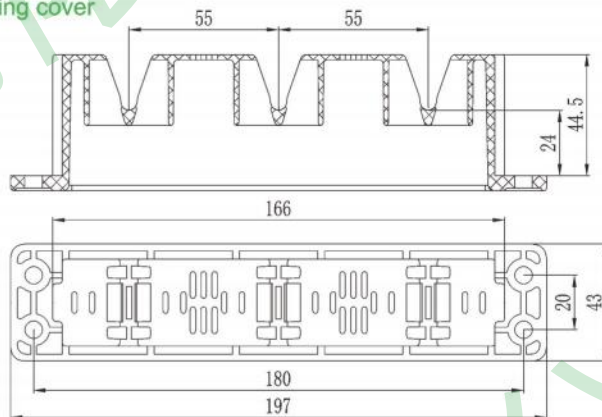
DJT5.11004 125A Incoming cover

**DJT5.21004 250A进线罩**

DJT5.21004 250A Incoming cover



DJT5.11004 125A, 250A进线罩外形及开孔图  
125A, 250A Outline and hole dimension for fixed connector

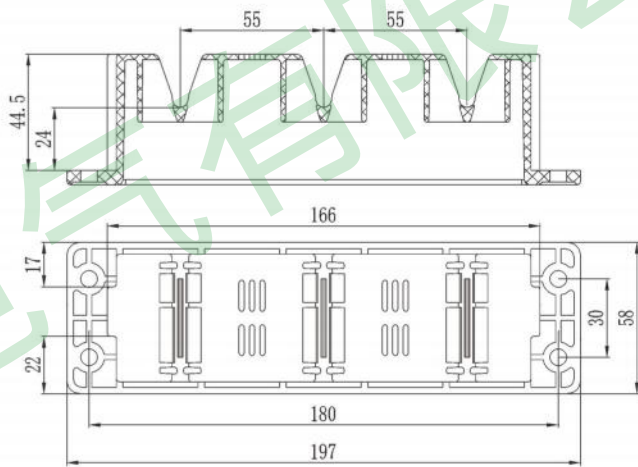


**DJT5.31004 400A进线罩**

DJT5.31004 400A Incoming cover

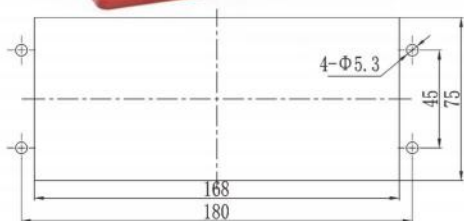


DJT5.31004 400A进线罩外形及开孔图  
DJT5.31004 400A Outline and hole dimension for fixed connector

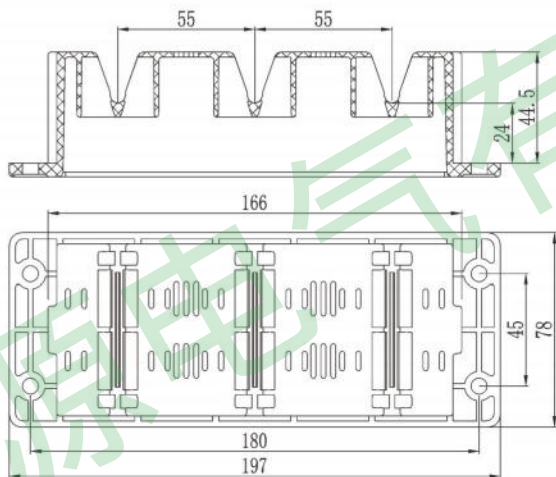


**DJT5.41005 630A进线罩**

DJT5.41005 630A Incoming cover

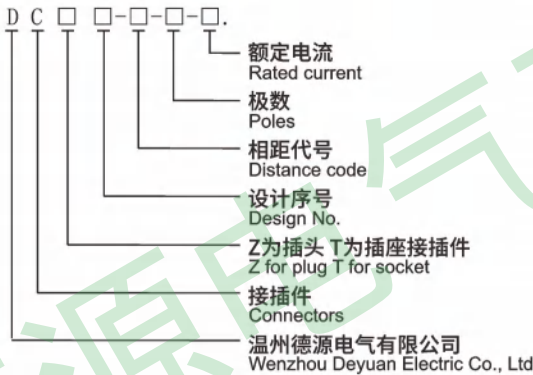


DJT5.41005 630A进线罩外形及开孔图  
DJT5.41005 630A Outline and hole dimension for incoming cover



## DCT(Z)2型主电路接插件(侧出)

### DCT(Z)2 series main circuit connectors(Side wiring)



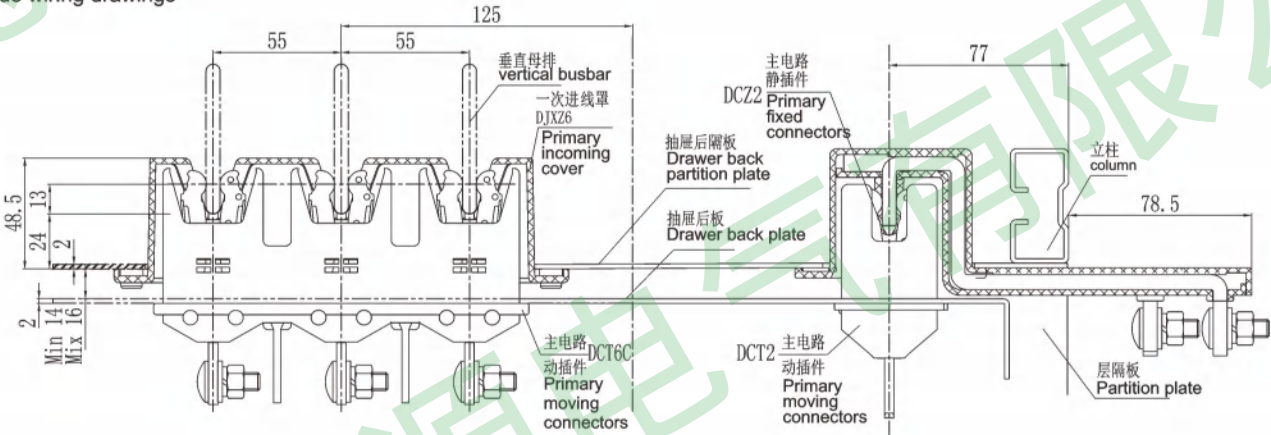
#### 技术参数

额定电压: AC690V  
 额定电流: 125A、250A、400A、630A  
 额定绝缘电压: 1000V  
 额定工频耐受电压: 3500V  
 垂直母线厚度: 6mm

#### Technical data

Rated voltage: AC690V  
 Rated current: 125A、250A、400A、630A  
 Rated insulation voltage: 1000V  
 Rated power frequency withstand voltage: 3500V  
 vertical busbars thickness: 6mm

侧出线示意图  
Side wiring drawings



#### 产品优点:

DCT2系列主电路接插件是我公司开发用于经济型侧出线方案的一次接插件作为单一回路出线用。可以与DCT6C系列接插件配套使用,用于经济型55mm相距的侧出线方案抽屉。也可以与DCT9系列接插件配套使用,用于半块功能板方案的侧出线方案。

1. 插件的插片结构采用双夹头设计原理,卡扣等零件采用进口不锈钢材料隔磁减少因涡流弓引起的温升。
2. 插片之间有凸点隔开,而不是直接的叠加,增加了插片之间的表面积散热和导电效果更好。
3. 插片与铜排接触位置对应的插头壳位置有开通风孔,便于散热降低温升。
4. 插件的电流规格为125A、250A、400A、630A。可适用于最小模数为H=150mm的6E抽屉实现经济型抽屉150mm高抽屉的侧出,替代GCS的侧出方案。

#### Product Advantages:

DCT2 series main circuit connector is a primary connector developed by us for the economical side outgoing wiring used as a single circuit outgoing. It can be used with DCT6C series connectors, used as side outgoing drawer distance 55mm drawer, or it can be used with DCT9 series connectors for the side wiring of half functional board solutions.

1. Double chuck designing structure, which can ensure the plugins more reliable.
2. The convex points between the inserts are not directly superimposed, which increases the surface area between the inserts and has better heat dissipation effect
3. The plug and socket housing is provided with ventilation slots for heat radiating, which effectively reduces the temperature rise;
4. Current level for connectors are 125A, 250A, 400A and 630A, which can be used in 6E drawer H=150mm to realize the side outgoing wire solution.

#### 订货须知:

1. 订货时请注明插件的型号,名称和规格,侧出线规格只有3极。
2. 如果有其他特殊的需求,可与我公司技术部门联系。

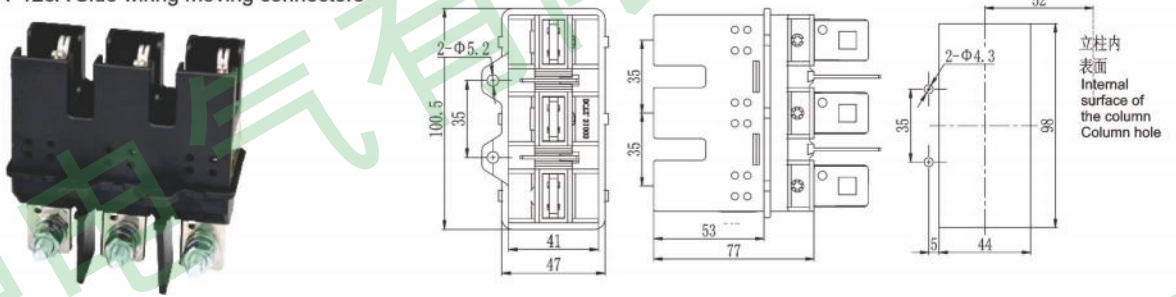
#### Ordering instructions

1. Please indicate the model, name and specification of the plug-in when ordering.
2. If any special requirements, please contact our technical department.

**DCT2型主电路接插件(侧出)**
**DCT2 series main circuit connectors(Side wiring)**

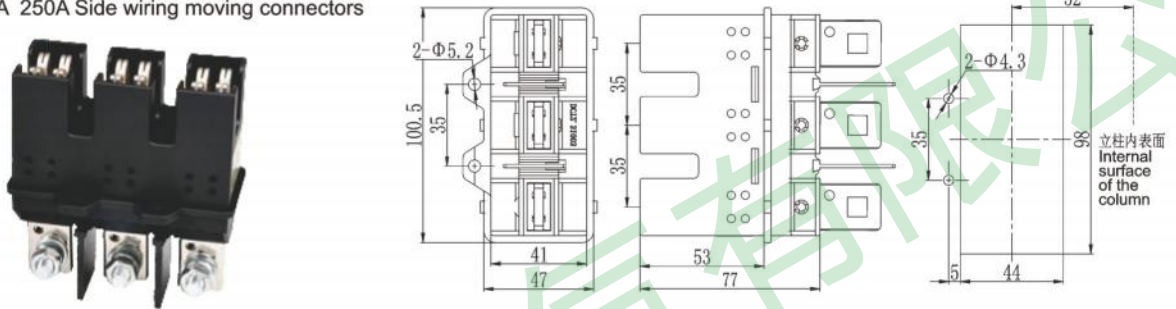
DCT2-B-3-125A 125A侧出插件

DCT2-B-3-125A 125A Side wiring moving connectors



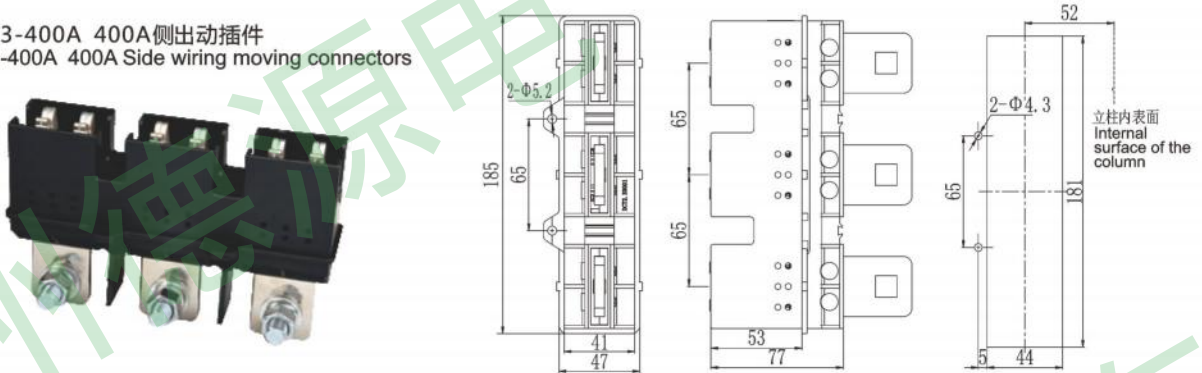
DCT2-B-3-250A 250A侧出插件

DCT2-B-3-250A 250A Side wiring moving connectors



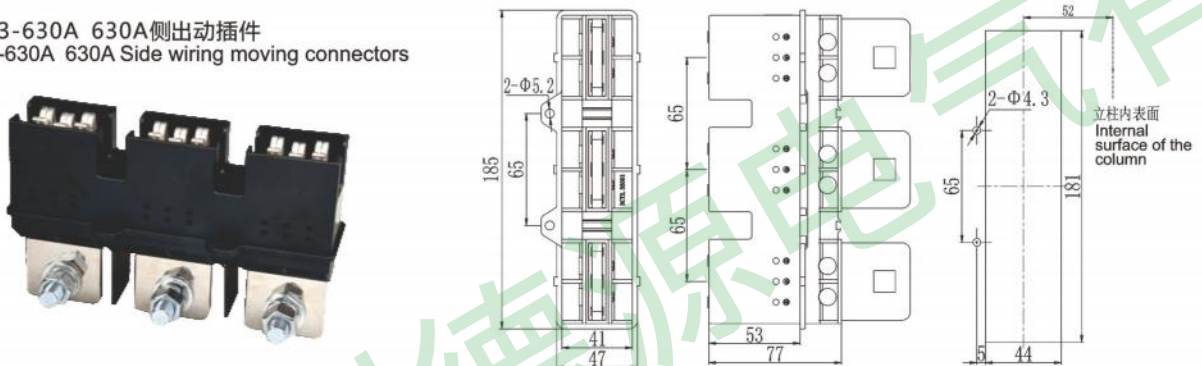
DCT2-B-3-400A 400A侧出插件

DCT2-B-3-400A 400A Side wiring moving connectors



DCT2-B-3-630A 630A侧出插件

DCT2-B-3-630A 630A Side wiring moving connectors

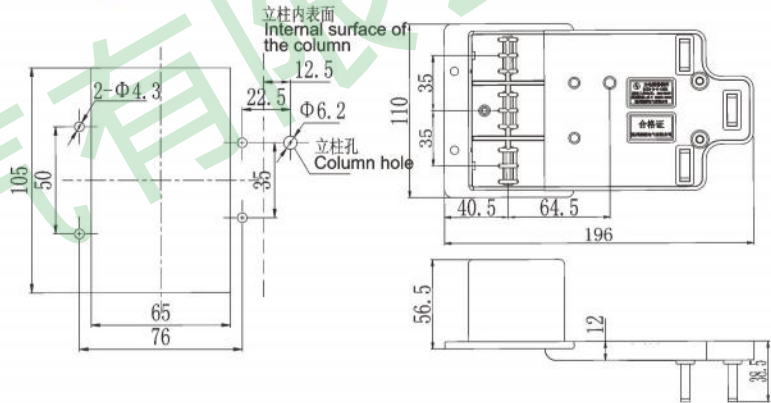
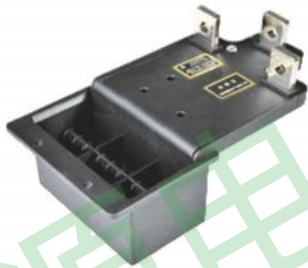


**DCZ2型主电路接插件(侧出)**

**DCZ2 series main circuit connectors(Side wiring)**

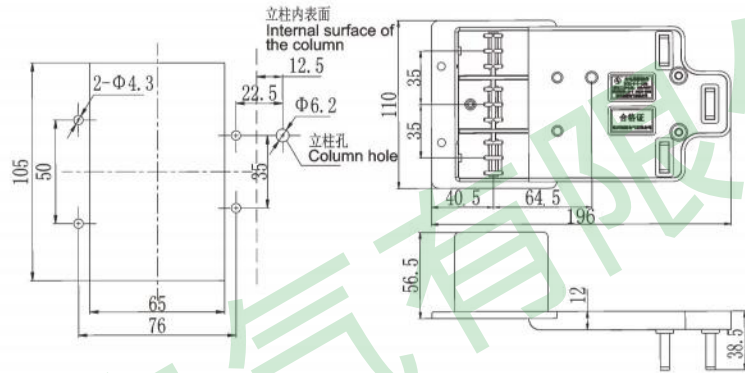
DCZ2-B-3-125A 125A侧出静插件

DCZ2-B-3-125A 125A Side wiring fixed connectors



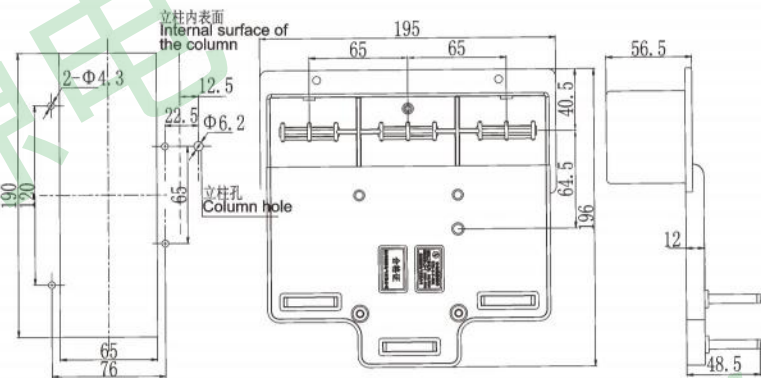
DCZ2-B-3-250A 250A侧出静插件

DCZ2-B-3-250A 250A Side wiring fixed connectors



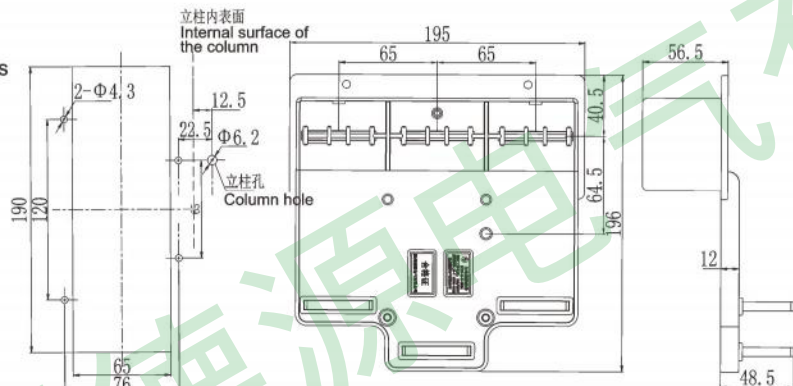
DCZ2-B-3-400A 400A侧出静插件

DCZ2-B-3-400A 400A Side wiring fixed connectors



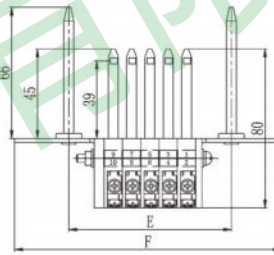
DCZ2-B-3-630A 630A侧出静插件

DCZ2-B-3-630A 630A Side wiring fixed connectors

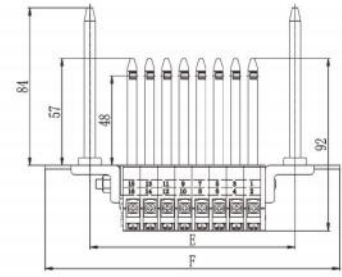


### DRC系列二次接插件(后出)

DRC series secondary connector(Rear Wiring)



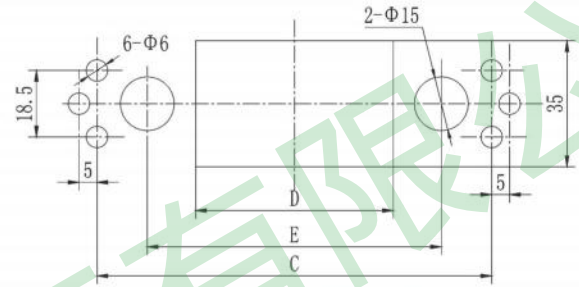
DRC2(T) 插头外形尺寸图  
DRC2(T) secondary plug dimension outline



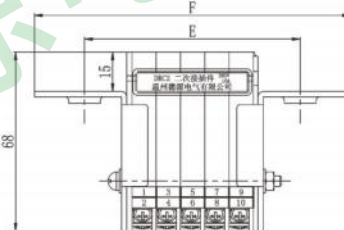
DRC7(T) 插头外形尺寸图  
DRC7(T) secondary plug dimension outline

DRC2(DRC7)插头外形及安装尺寸列表  
DRC2(DRC7) secondary plug outline and assemble dimension

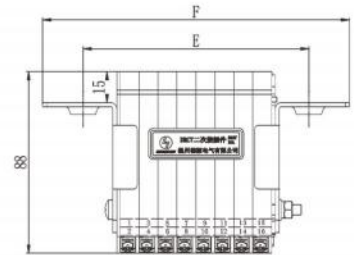
型号规格 Model No. And specification	C	D	E	F
DRC_(T)-5/10	110.3	55.4	82.1	130.1
DRC_(T)-6/12	119.5	64.6	91.3	139.3
DRC_(T)-8/16	137.7	83	109.7	157.7
DRC_(T)-10/20	156.1	101.4	128.1	176.1
DRC_(T)-15/30	202.1	147.4	174.1	222.1
DRC_(T)-16/32	211.3	156.6	183.3	231.3



DRC\_ 插头外形及安装尺寸图  
DRC\_ secondary plug dimension outline



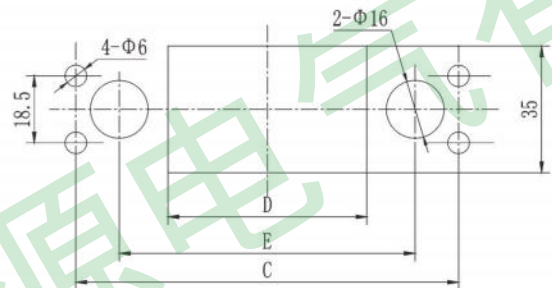
DRC2(T) 插座外形尺寸图  
DRC2(T) secondary socket dimension outline



DRC7(T) 插座外形尺寸图  
DRC7(T) secondary socket dimension outline

DRC2(DRC7)插座外形及安装尺寸列表  
DRC2(DRC7) secondary socket outline and assemble dimension

型号规格 Model No. And specification	C	D	E	F
DRC_(Z)-5/10	104	55.4	82	121.3
DRC_(Z)-6/12	113.2	64.6	91.2	130.5
DRC_(Z)-8/16	131.6	83	109.6	148.9
DRC_(Z)-10/20	150	101.4	128	167.3
DRC_(Z)-15/30	196	147.4	174	213.3
DRC_(Z)-16/32	205.2	156.6	183.2	222.5



DRC\_ 插座外形及安装尺寸图  
DRC\_ secondary socket outline and assemble dimension

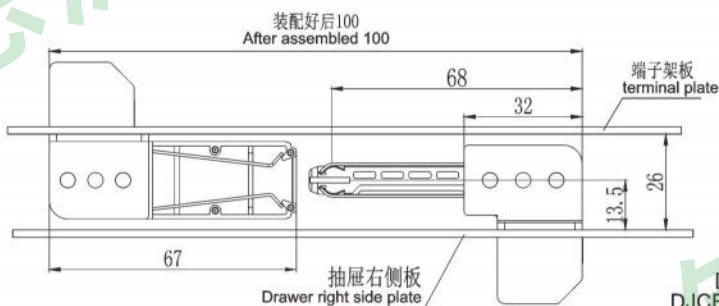
注：订货时插头插座一起订货，可直接写型号：DRC2-5/10 即DRC2 5节10线  
When ordering the plug and socket together, please write directly : DRC2-5/10

### DJCF系列二次接插件(侧出)

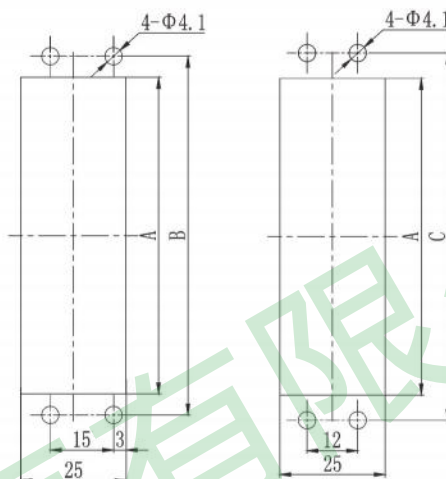
DJCF series secondary connector(Side wiring)



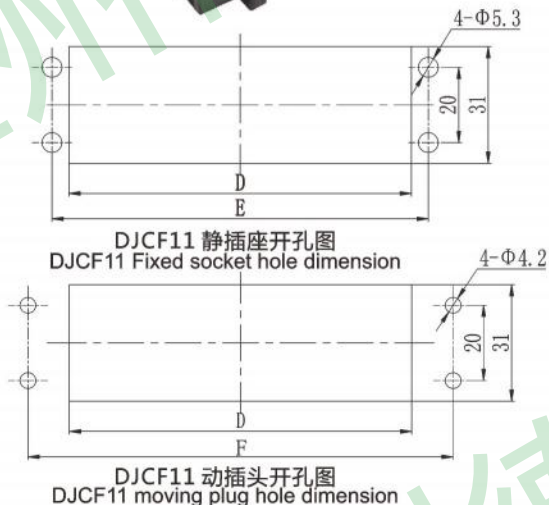
DJCF2系列二次接插件是专用于经济型侧出线方案的二次，可以替代B8E-S8E使用，具有三位置功能并可按要求加装实验端子。  
DJCF2 series secondary connector is designed for economical side outgoing scheme, which can replace B8E-S8E, with three position function and terminals can be added also.



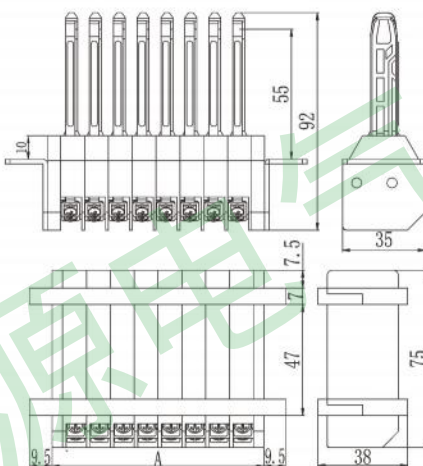
型号规格 Model No. And specification	A	B	C
DJCF2-6/12	58.8	68.8	70.6
DJCF2-8/16	75	85	86.8
DJCF2-12/24	107.4	117.4	119.2
DJCF2-15/30	131.7	141.7	143.5
DJCF2-16/32	139.8	149.8	151.6



DJCF2 插座开孔图 DJCF2 plug hole dimensions  
DJCF2 插头开孔图 DJCF2 socket hole dimensions



型号规格 Model No. And specification	A	D	E	F
DJCF11-5/10	60	61	70	83
DJCF11-6/12	70	71	80	93
DJCF11-8/16	90	91	100	113
DJCF11-10/20	110	111	120	133
DJCF11-11/22	120	121	130	143
DJCF11-12/24	130	131	140	153



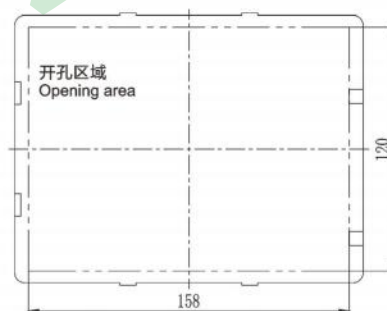
## 翻转式仪表板

### Reverse type instrumental plate

DLC2.112 H200翻转仪表板-塑  
DLC2.112 H200 Reverse type instrumental plate-Plastic



适用于H=200mm以上抽屉, 仪表板开孔区域为塑料。  
Used for H=200mm or above drawer, instrumental plate hole area all in plastic

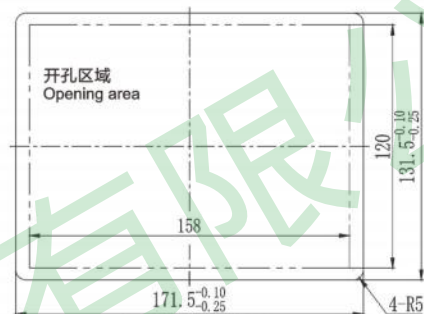


仪表板开孔区域范围  
Instrumental plate hole area

DLC2.112-1 H200翻转仪表板-铁  
DLC2.112-1 H200 Reverse type instrumental plate-Metal



适用于H=200mm以上抽屉, 仪表板为冷轧钢板,由用户开孔后喷塑。  
Used for H=200mm or above drawer, instrumental plate in cold rolled steel plate, and power coating after clients open hole

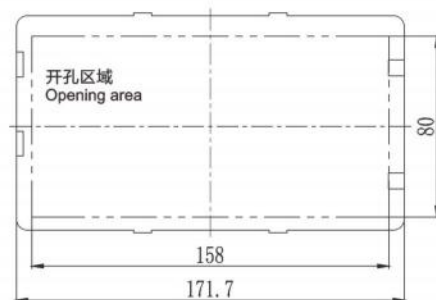


客户自制钢板图  
Clients steel plate drawing

DLC2.117 H150翻转仪表板-塑  
DLC2.117 H150 Reverse type instrumental plate-Plastic



适用于H<200mm抽屉, 仪表板开孔区域为塑料。  
Used for H<200mm drawer, instrumental plate hole area all in plastic

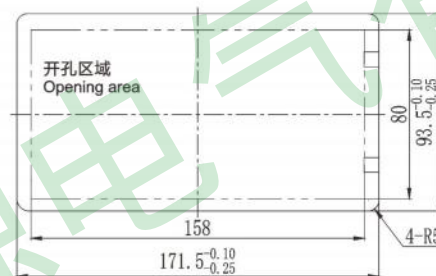


仪表板开孔区域范围  
Instrumental plate hole area

DLC2.117-1 H150翻转仪表板-铁  
DLC2.117-1 H150 Reverse type instrumental plate-Metal



适用于H<200mm抽屉, 仪表板为冷轧钢板,由用户开孔后喷塑。  
Used for H<200mm or above drawer, instrumental plate in cold rolled steel plate, and power coating after clients open hole



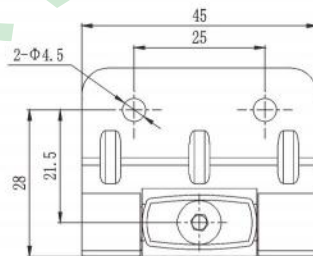
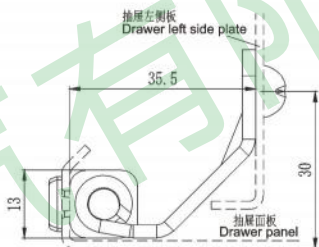
客户自制钢板图  
Clients steel plate drawing

—SUPERSET低压配电柜附件

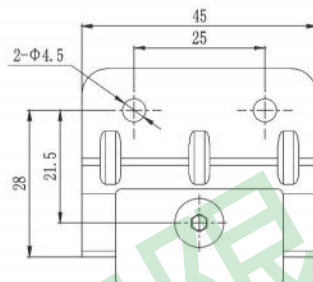
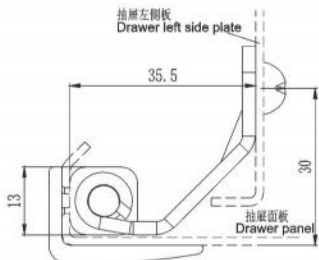
**铰链-明/暗铰链开孔一致**  
Hinge - Two kinds of hinges hole are the same

专利产品 仿制必究  
Patented products are not to be copied

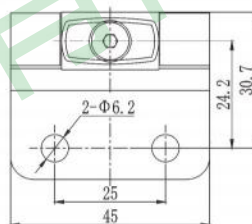
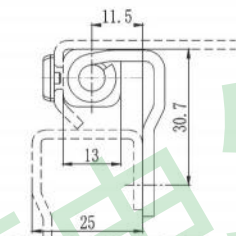
DLC2.115 抽屉暗铰链  
DLC2.115 Drawer concealed hinge



DLC2.116 抽屉明铰链  
DLC2.116 Drawer hinge

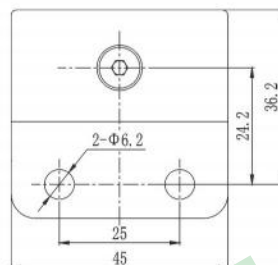
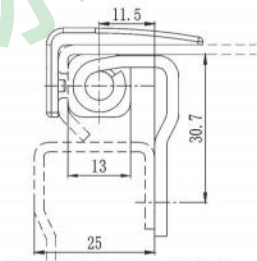


DLT1.131 H20大门暗铰链C型材  
DLT1.131 H20 Concealed hinge for C profile



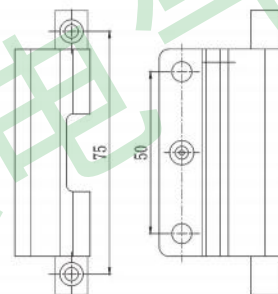
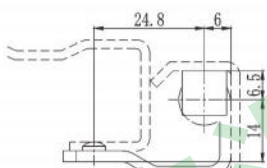
门板与铰链免焊接  
No need welding for door plate and hinge

DLT1.132 H20大门明铰链C型材  
DLT1.132 H20 Concealed hinge for C profile



门板与铰链免焊接  
No need welding for door plate and hinge

DLT1.121 H20 大门铰链(双点固定)  
DLT1.121 H20 Door hinge (Two point fixed)



门板与铰链免焊接  
No need welding for door plate and hinge

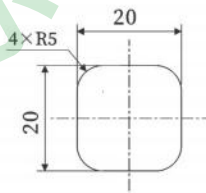
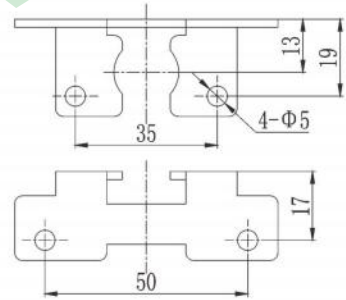
门锁  
Lock



DMS3.31 解锁门锁  
DMS3.31 Unlocking lock



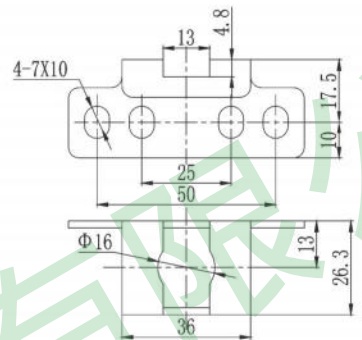
DMS3.31004 门锁支架  
DMS3.31004 Lock bracket



门锁开孔  
The door opening



DMS3.32001 大门锁支架  
DMS3.31004 Door lock bracket



其他附件  
Other fittings



DLT1.21 标签框  
DLT1.21 Label frames



CZMJ3-3 垂直母线框(3极)  
Vertical busbar frame (3 Poles)



XP1-55-7 小排托  
XP1-55-7 Small line supporting



DLC2.11004 侧板螺钉M5  
DLC2.11004 Side plate screw M5



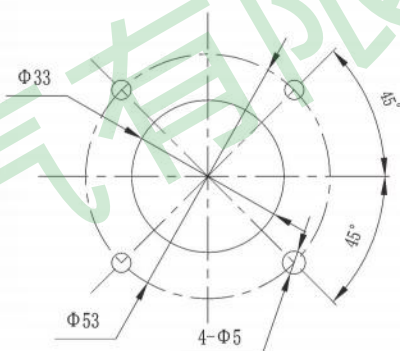
轴承 Φ28  
Bearing Φ28



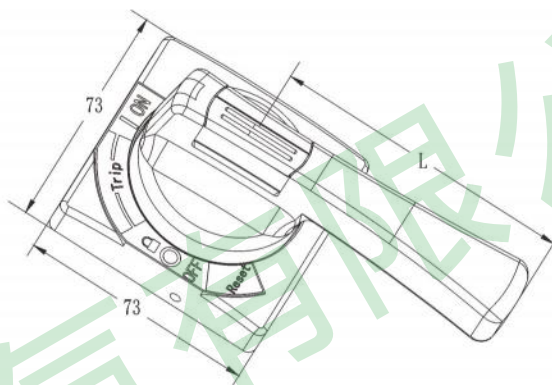
DTC-1.13108HD 轴  
DTC-1.13108HD AXLE

—SUPERSET低压配电柜附件

**DSB5 手柄**  
DSB5 handle

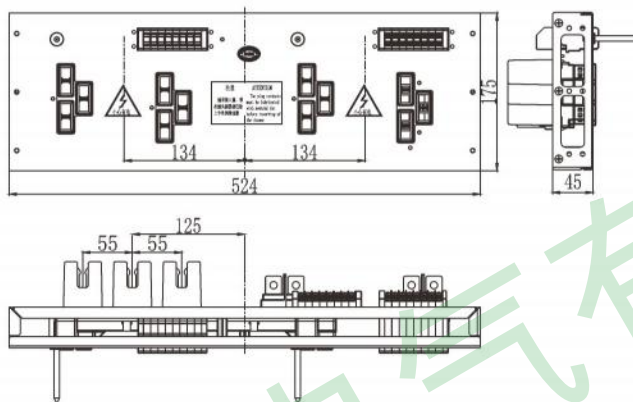
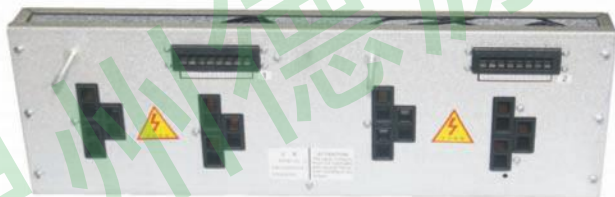


产品型号 Product model	L	操作杆 Operating shaft	颜色 Color
DSB5-003	73	8X8	黑色 灰色 Black Grey
DSB5-004	95	8X8	
DSB5-005	73	10X10	
DSB5-006	95	10X10	
DSB5-008	120	10X10	



**DLZ-1三极125A后出线268薄型电路分配转接器(用于37.5型材)**

DLZ-13Poles 125A back wiring 268 thin-type circuit distribution condapter (Used for 37.5 profile)



产品型号 Model No.	外形尺寸 Outline dimension	备注 Remark
DLZ-1/16	175X524X45	二次线16线/每抽 Secondary connector in 16 wires/ each drawer
DLZ-1/24	175X524X45	二次线24线/每抽 Secondary connector in 24 wires/ each drawer
DLZ-1/32	175X524X45	二次线32线/每抽 Secondary connector in 32 wires/ each drawer

技术参数:

1. 额定工作电压 AC690V;
2. 额定绝缘电压 1000V;
3. 额定工作电流 不大于125A;
4. 工频耐受电压 2500V/Min;

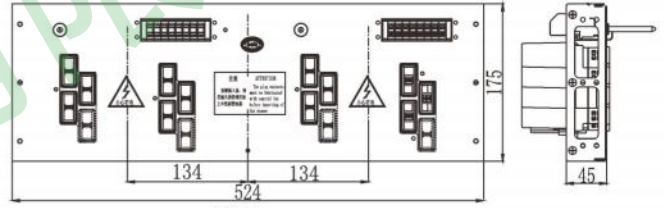
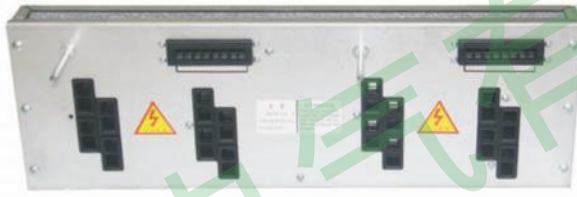
Technical parameters:

1. Rated working voltage AC690V
2. Rated insulation voltage 1000V
3. Rated working current Less than 125A;
4. Power frequency withstand voltage: 2500V/Min;

注: 本转接单元用于型材宽度为37.5的柜体。  
Note: The condapter is for 37.5mm width profile

### DLZ-3四极125A后出线268薄型电路分配转接器(用于37.5型材)

DLZ-1 4Poles 125A back wiring 268 thin-type circuit distribution condapter (Used for 37.5 profile)



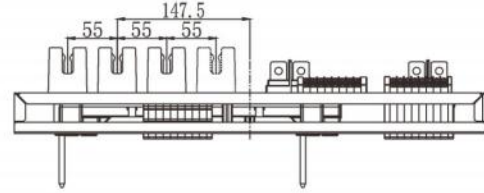
产品型号 Model No.	相数 Poles	外形尺寸 Outline dimension	备注 Remark
DLZ-3.1/16	4极 4P	175X524X45	二次线16线/每抽 Secondary connector in 16 wires/ drawer
DLZ-3.1/24	4极 4P	175X524X45	二次线24线/每抽 Secondary connector in 24 wires/drawer
DLZ-3.1/32	4极 4P	175X524X45	二次线32线/每抽 Secondary connector in 32 wires/ drawer
DLZ-3.2/16	3极 3P	175X524X45	二次线16线/每抽 Secondary connector in 16 wires/ drawer
DLZ-3.2/24	3极 3P	175X524X45	二次线24线/每抽 Secondary connector in 24 wires/ drawer
DLZ-3.2/32	3极 3P	175X524X45	二次线32线/每抽 Secondary connector in 32 wires/ drawer

注: 本转接单元用于型材宽度为37.5的柜体。

此规格产品三极四极同时母线不用非标折弯仍为垂直排

Note: The condapter is for 37.5mm width profile

When 3poles and 4 poles in the same cubicle, it is still in vertical busbar, no need to bending.



#### 技术参数:

1. 额定工作电压 AC690V;
2. 额定绝缘电压 1000V;
3. 额定工作电流 不大于125A;
4. 工频耐受电压 2500V/Min;
5. 抽屉中心距离为268;

#### Technical parameters:

1. Rated working voltage AC690V
2. Rated insulation voltage 1000V
3. Rated working current Less than 125A;
4. Power frequency withstand voltage: 2500V/Min;
5. Drawer central distance in 268MM

### DLZ-4三极8E/4薄型电路分配转接器

DLZ-43Poles 8E/4 thin-type circuit distribution condapter



DLZ-4.1/16 8E/4后出线268转接单元  
DLZ-4.1/16 8E/4 back wiring 268MM condapter



DLZ-4.2/16 8E/4侧出线268转接单元  
DLZ-4.2/16 8E/4 side wiring 268MM condapter

产品型号 Model No.	外形尺寸 Outline dimension	出线方式 Outgoing ways	备注 Remark
DLZ-4.1/16	4个8E/4 4 Sets 8E/4	后出线 Back outgoing	
DLZ-4.2/16	4个8E/4 4 Sets 8E/4	旁出线 Side outgoing	
DLZ-4.3/16	左8E/4 右8E/2 Left 8E/4, Right 8E/2	旁出线 Side outgoing	带端子盒 With terminal box
DLZ-4.4/16	左8E/4 右8E/2 Left 8E/4, Right 8E/2	后出线 Back outgoing	带端子盒 With terminal box

#### 技术参数:

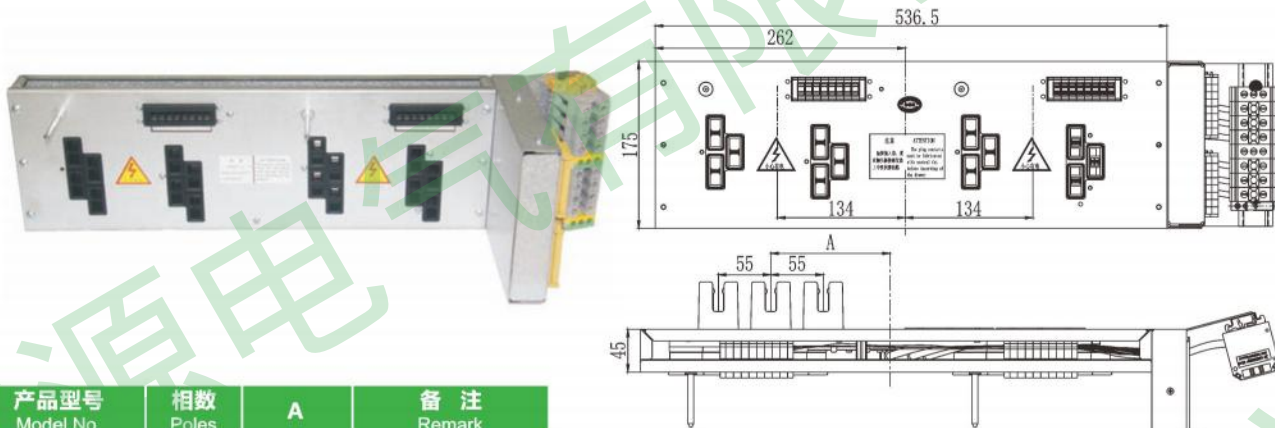
1. 额定工作电压 AC660V;
2. 额定绝缘电压 690V;
3. 额定工作电流 不大于63A;
4. 工频耐受电压 2500V/Min;
5. B相中心到隔板中心 125mm;;

#### Technical parameters:

1. Rated working voltage AC690V
2. Rated insulation voltage 1000V
3. Rated working current Less than 125A;
4. Power frequency withstand voltage: 2500V/Min;
5. Phase B center to partition plate center 125MM

**DLZ-5三(四)极125A后出线268薄型电路分配转接器(用于37.5型材)**

DLZ-5 3(4)Poles 125A back wiring 268 thin-type circuit distribution condapter (Used for 37.5 profile)



产品型号 Model No.	相数 Poles	A	备注 Remark
DLZ-5.1/16	3极 3P	125	二次线16线/每抽 Secondary connector in 16 wires/ drawer
DLZ-5.1/24	3极 3P	125	二次线24线/每抽 Secondary connector in 24 wires/ drawer
DLZ-5.2/16	4极 4P	147.5	二次线16线/每抽 Secondary connector in 16 wires/ drawer
DLZ-5.2/24	4极 4P	147.5	二次线24线/每抽 Secondary connector in 24 wires/ drawer
DLZ-5.3/16	3极 3P	147.5	二次线16线/每抽 Secondary connector in 16 wires/ drawer
DLZ-5.3/16	3极 3P	147.5	二次线24线/每抽 Secondary connector in 24 wires/ drawer

**技术参数：**

- 1、额定工作电压 AC690V；
- 2、额定绝缘电压 1000V；
- 3、额定工作电流 不大于125A；
- 4、工频耐受电压 2500V/Min；
- 5、抽屉中心距离为268；

**Technical parameters：**

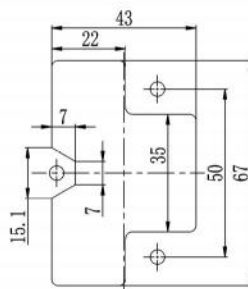
1. Rated working voltage AC690V
2. Rated insulation voltage 1000V
3. Rated working current Less than 125A;
4. Power frequency withstand voltage: 2500V/Min;
5. Drawer central distance in 268MM

**DLZ转接件配套附件(用于375型材)**

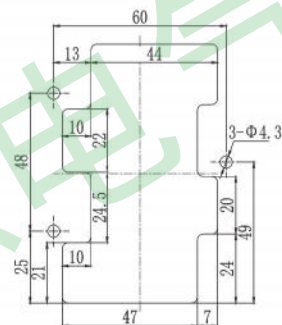
DLZ Series condapter fittings(Used for 375 profile)



DLC1.2221  
125A一次插头268  
(小抽屉进、出线)  
DLC1.2221  
125A Primary plug 268mm  
Small drawer incoming, outgoing

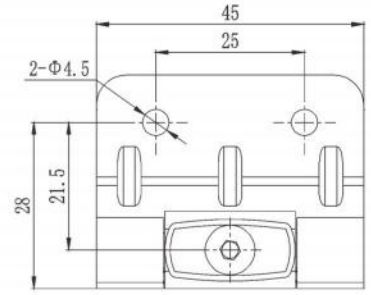
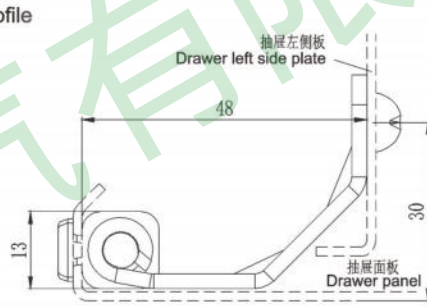


DLC1.2421  
四极一次插头268  
(小抽屉进、出线)  
DLC1.2421  
4Poles Primary plug 268mm  
Small drawer incoming, outgoing

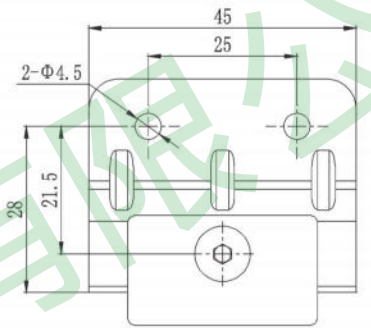
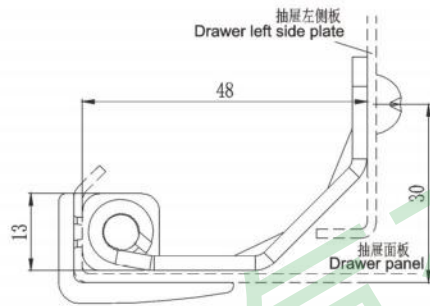


铰链(用于375型材)-明/暗铰链并孔一致  
DLZ-43Poles 8E/4 thin-type circuit distribution condapter

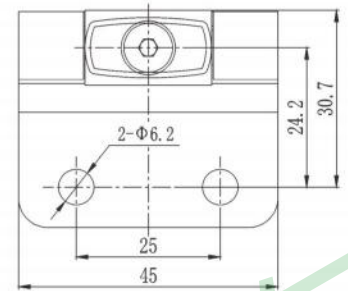
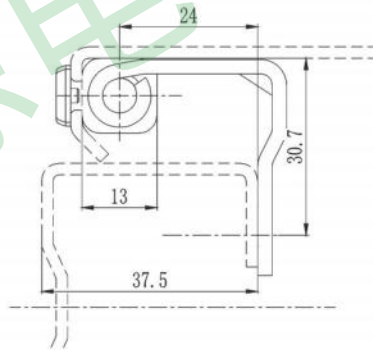
DLC3.111 抽屉暗铰链375  
DLC3.111 Drawer concealed hinge for 375 profile



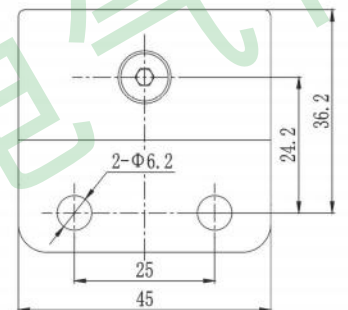
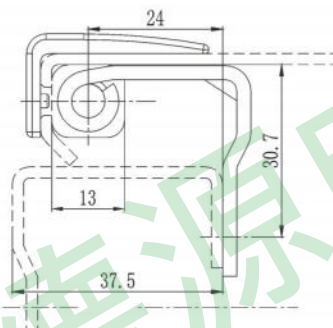
DLC3.112 抽屉明铰链375  
DLC3.112 Drawer hinge for 375 profile



DLT1.141 H20大门暗铰链375型材  
DLT1.141 H20 Concealed hinge for 375 profile



DLT1.142 H20大门明铰链375型材  
DLT1.142 H20 Hinge for 375 profile



## —SUPERSET低压配电柜附件

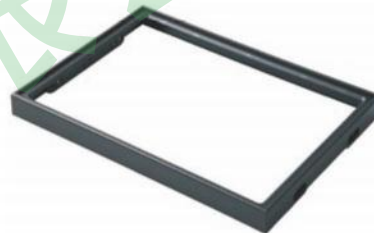
DLC1.12201 8E-4面板外框268  
DLC1.12201 8E-4Panel frames 268

黑/灰色  
Black/grey

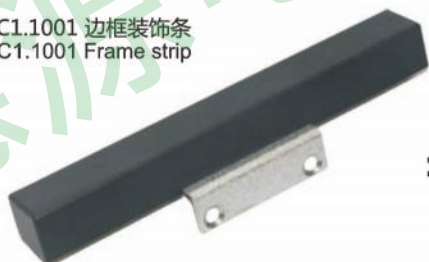


DLC1.22201 8E-2面板外框268  
DLC1.22201 8E-2Panel frames 268

黑/灰色  
Black/grey



DLC1.1001 边框装饰条  
DLC1.1001 Frame strip



用于375型材小抽屉侧边  
Used for 375 profile small drawer side plate

黑/灰色  
Black/grey

=



DLC1.10011 装饰条  
DLC1.10011 Strip

+



DLC1.10012 装饰条支架  
DLC1.10012 Strip support

**定货须知:**

- ①订购时请按照我司订货代号提交。
- ②此样本照片所示只是产品示意,具体发货根据实际情况配套,若有其他特殊要求请联系技术部。
- ③此样本所列产品型号截止至2022年,如有增加及更改恕不另行通知,请与我司联系。

**Instructions for ordering:**

- ①Please submit the order according to our order code when ordering.
- ②This sample photo only shows the product. The specific delivery is based on the actual situation. If you have any other special requirements, please contact the technical department.
- ③The product models listed in this sample are up to 2022. If there is any increase or change without prior notice, please contact our company.

# 经济型低压配电柜通用附件

ECONOMICAL LOW VOLTAGE SWITCHGEAR ACCESSORIES

## DXFZ-1型后出线薄型电路分配转接器

### DXFZ-1 Type Back Wiring Thin-type Circuit Distribution Condapter

#### ■ 主要电气参数

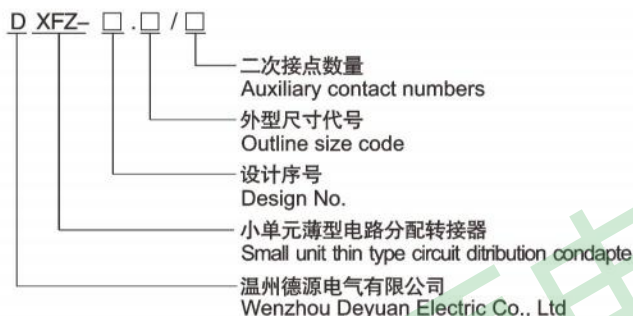
##### Main Technical Data

额定工作电压:主回路400V;辅助回路交流200V(直流100V)  
 额定绝缘电压:690V  
 工频耐受电压:2500V/min  
 额定电流:主回路进线至250A(分路出线至125A);辅助回路10A

Rated operating voltage: 400V for main circuit, AC200V (DC100V) for auxiliary circuit  
 Rated insulation voltage: 690V  
 Power frequency withstand voltage: 2500V/min  
 Rated current: main circuit incoming up to 250A (branch outgoing up to 125A); 10A for auxiliary circuit

#### ■ 型号及含义

##### Model No. And Description



#### ■ 产品优点

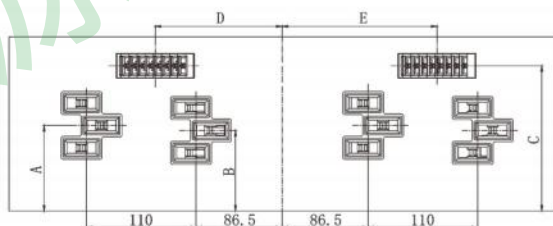
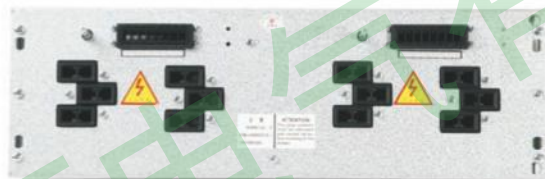
##### Product Advantages

- ① 主电路电气连接异型铜母线, 单个抽屉额定电流最大达到125A;
- ② 转接器厚度为45mm,增加了抽屉深度;
- ③ 抽屉二次线最多可至24点;
- ④ 更换二次可与三位置机构配套实现三位置功能;
- ⑤ 抽屉侧板分两种: 塑料侧板和金属侧板; 两种形式的抽屉能完全互换;
- ⑥ 采用多层布线, 异型母线排列在具有通风槽的座体内, 提高了转接器的散热效果;

- ① Main circuit electrical connects special-shaped copper busbar, rated current of single drawer up to 125A;
- ② Thickness of the condapter is 45mm, which increases the depth of drawer;
- ③ Secondary plugins of the drawer can be at most 24 points;
- ④ It can realize three-position function with change secondary plugins to the three-position mechanism
- ⑤ The drawer side wall can be divided into two types: plastic and metal; two types can be totally exchanged;
- ⑥ Multi-layer wiring is adopted, and the special-shaped bus is arranged in the seat body with ventilation slots, which improves the heat dissipation effect of the adapter.

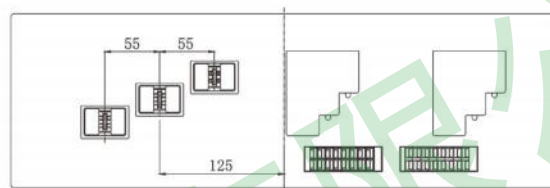
### DXFZ-1型125A后出线示意图

#### DXFZ-1 Series 125A Rear Wiring Drawings



DXFZ-1型后出线薄型电路分配转接器正面示意图  
抽屉中心距283mm

Front view of DXFZ-1 back outgoing thin-type circuit distribution condapter Drawer centre distance 283MM



DXFZ-1型后出线薄型电路分配转接器背面示意图  
B相中心距柜体中心125mm

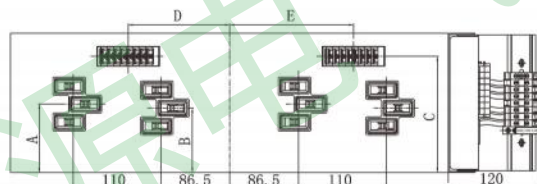
Back view of DXFZ-1 back outgoing thin-type circuit distribution condapter Phase B central distance 125MM

### DXFZ-1型125A后出线型号列表

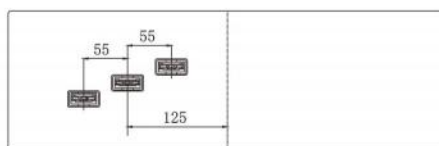
#### DXFZ-1 Type 125A Rear Wiring Lists

型号 Mode	A	B	C	D	E	外形尺寸 Outline size	带三位置功能的型号 With three-position function model	备注 Remark
DXFZ-1.1/16				127.5	155.5	175×549×45	DXFZ-1S.1/16	用于开档尺寸为550柜体 Used for hole size 550 cubicle
DXFZ-1.1/24	86.5	81.5	146	111.25	171.75		DXFZ-1S.1/24	
DXFZ-1.3/16				132.5	150.5	175×539×45	DXFZ-1S.3/16	用于开档尺寸为540柜体 Used for hole size 540 cubicle
DXFZ-1.3/24				116.25	166.75		DXFZ-1S.3/24	
DXFZ-1.5/16				132.5	150.5	135×539×45	DXFZ-1S.5/16	
DXFZ-1.5/24	56.5	51.5	111	116.25	166.25		DXFZ-1S.5/24	
DXFZ-1.6/16				132.5	150.5	135×549×45	DXFZ-1S.6/16	用于开档尺寸为550 20模数C型材柜体 Used for hole size 550 cubicle, 20 modular Type C section cubicle
DXFZ-1.6/24				116.25	166.75		DXFZ-1S.6/24	

### DXFZ-3.2型旁出线薄型电路分配转接器 DXFZ-3.2 Side Outgoing Thin-type Circuit Distribution Condapter



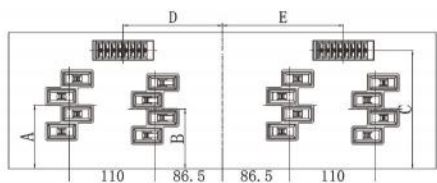
DXFZ-3.2型旁出线薄型电路分配转接器正面示意图  
抽屉中心距283mm  
DXFZ-3.2 side outgoing thin-type circuit distribution condapter front view Drawer centre distance 283MM



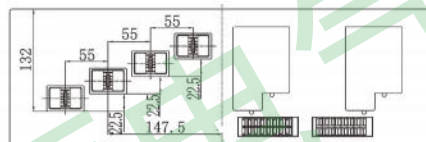
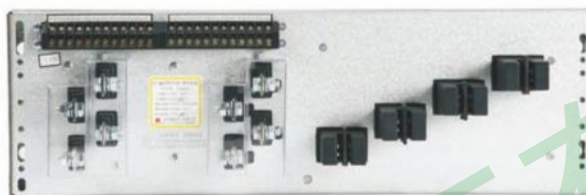
DXFZ-3.2型旁出线薄型电路分配转接器背面示意图  
B相中心距柜体中心125mm  
DXFZ-3.2 side outgoing thin-type circuit distribution condapter back view Drawer central distance 125MM

型号 Model No.	D	E	外形尺寸 Outline size	带三位置功能的型号 With three-position function model	备注 Remark
DXFZ-3.21/16	127.5	155.5	175×549×45	DXFZ-3S.21/16	用于开档尺寸为550柜体 Used for hole size 550 cubicle
DXFZ-3.21/24	111.25	171.75		DXFZ-3S.21/24	
DXFZ-3.23/16	132.5	150.5	175×539×45	DXFZ-3S.23/16	用于开档尺寸为540柜体 Used for hole size 540 cubicle
DXFZ-3.23/24	116.25	166.75		DXFZ-3S.23/24	

### DXFZ-4.1型四极后出线薄型电路分配转接器 DXFZ-4.1 4Poles Back Outgoing Thin-type Circuit Distribution Condapter



DXFZ-4.1型四极后出线薄型电路分配转接器正面示意图  
抽屉中心距283mm  
DXFZ-4.1 4Poles back outgoing thin-type circuit distribution condapter front view Drawer central distance 283MM



DXFZ-4.1型四极后出线薄型电路分配转接器背面示意图  
B相中心距柜体中心147.5mm  
DXFZ-4.1 back outgoing thin-type circuit distribution condapter back view Drawer central distance 147.5MM

### DXFZ-4.1型四极125A后出线型号列表

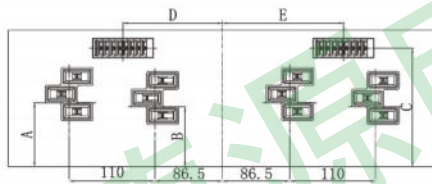
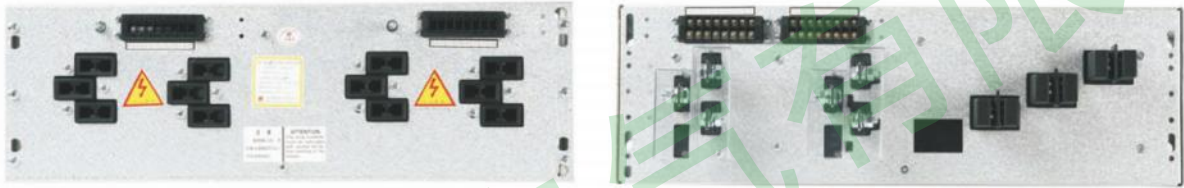
#### DXFZ-4.1 Type 4Poles 125A Back Outgoing Lists

型号 Model No.	A	B	C	D	E	外形尺寸 Outline size	带三位置功能的型号 With three-position function model
DXFZ-4.11/16				112.5	170.5	175×549×45	DXFZ-4S.11/16
DXFZ-4.11/24	81.75	76.75	152	96.25	186.75		DXFZ-4S.11/24
DXFZ-4.13/16				120.5	162.5	175×539×45	DXFZ-4S.13/16

- 同类型三、四极转接器混装不必另外加工非标垂直母线  
3P and 4P condapters in same type no need to customize the vertical busbar

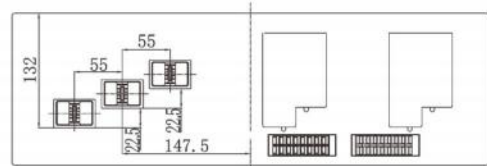
### DXFZ-4.2型后出线薄型电路分配转接器

#### DXFZ-4.2 Back Outgoing Thin-type Circuit Distribution Condapter



DXFZ-4.2型后出线薄型电路分配转接器正面示意图  
抽屉中心距283mm

DXFZ-4.2 back outgoing thin-type circuit distribution condapter Front view Drawer central distance 283MM



DXFZ-4.2型后出线薄型电路分配转接器正面示意图  
B相中心距柜体中心147.5mm

DXFZ-4.2 back outgoing thin-type circuit distribution condapter Back view Drawer central distance 147.5MM

### DXFZ-4.2型三极125A后出线型号列表

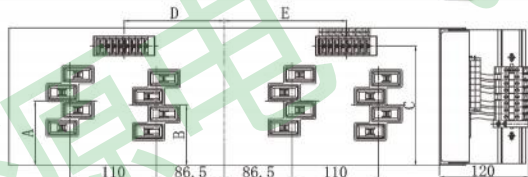
#### DXFZ-4.2 Type 3Poles 125A Back Outgoing Lists

型号 Model No.	A	B	C	D	E	外形尺寸 Outline size	带三位置功能的型号 With three-position function model
DXFZ-4.21/16				112.5	170.5	175×549×45	DXFZ-4S.21/16
DXFZ-4.21/24	81.75	76.75	152	96.25	186.75		DXFZ-4S.21/24
DXFZ-4.23/16				120.5	162.5	175×539×45	DXFZ-4S.23/16

- 同类型三、四极转接器混装不必另外加工非标垂直母线  
3P and 4P condapters in same type no need to customize the vertical busbar

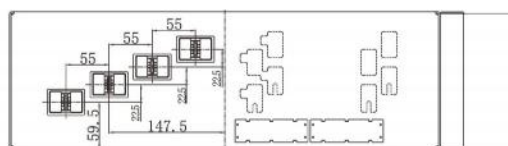
### DXFZ-4.3型四极旁出线薄型电路分配转接器

#### DXFZ-4.3 4Poles Side Outgoing Thin-type Circuit Distribution Condapter



DXFZ-4.3型四极旁出线电路分配转接器正面示意图薄型  
抽屉中心距283mm

DXFZ-4.3 4Poles side outgoing thin-type circuit distribution condapter front view Drawer central distance 283MM



DXFZ-4.3型四极旁出线薄型电路分配转接器背面示意图  
B相中心距柜体中心147.5mm

DXFZ-4.3 4Poles back outgoing thin-type circuit distribution condapter Back view Drawer central distance 147.5MM

### DXFZ-4.3型四极125A旁出线型号列表

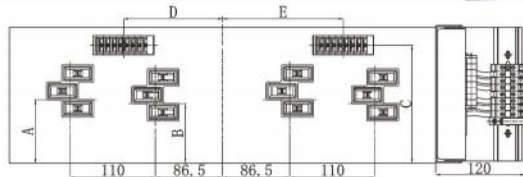
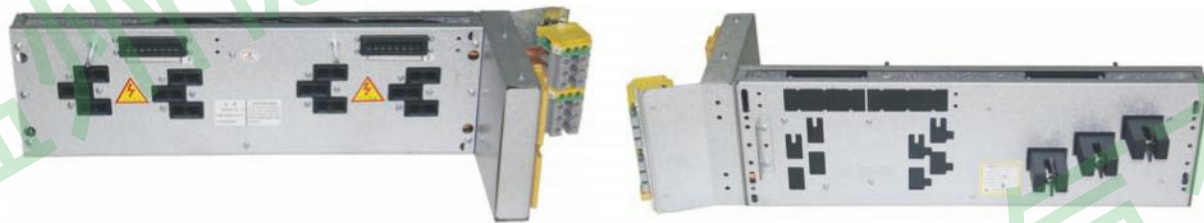
#### DXFZ-4.3 Type 4Poles 125A Side Outgoing Lists

型号 Model No.	D	E	外形尺寸 Outline size	带三位置功能的型号 With three-position function model	备注 Remark
DXFZ-4.31/16	112.5	170.5	175×549×45	DXFZ-4S31/16	用于开档尺寸为550柜体 Used for hole size 550 cubicle
DXFZ-4.31/24	96.25	186.75		DXFZ-4S31/24	
DXFZ-4.33/16	120.5	162.5	175×539×45	DXFZ-4S33/16	用于开档尺寸为540柜体 Used for hole size 540 cubicle

同类型三、四极转接器混装不必另外加工非标垂直母线  
3P and 4P condapters in same type no need to customize the vertical busbar

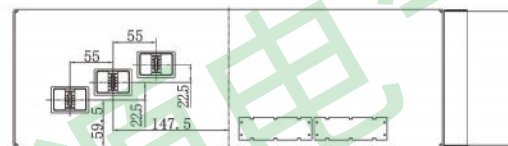
### DXFZ-4.4型三极旁出线薄型电路分配转接器

#### DXFZ-4.4 3Poles Side Outgoing Thin-type Circuit Distribution Condapter



DXFZ-4.4型三极旁出线电路分配转接器正面示意图薄型  
抽屉中心距283mm

DXFZ-4.4 3Poles side outgoing thin-type circuit distribution condapter front view Drawer central distance 283MM



DXFZ-4.4型三极旁出线薄型电路分配转接器背面示意图  
B相中心距柜体中心147.5mm

DXFZ-4.4 3Poles side outgoing thin-type circuit distribution condapter Back view Drawer central distance 147.5MM

### DXFZ-4.4型三极125A旁出线型号列表

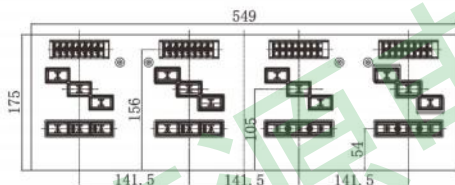
#### DXFZ-4.4 Type 3Poles 125A Side Outgoing Lists

型号 Model No.	D	E	外形尺寸 Outline size	带三位置功能的型号 With three-position function model	备注 Remark
DXFZ-4.41/16	112.5	170.5	175×549×45	DXFZ-4S.41/16	用于开档尺寸为550柜体 Used for hole size 550 cubicle
DXFZ-4.41/24	96.25	186.75		DXFZ-4S.41/24	
DXFZ-4.43/16	120.5	162.5	175×539×45	DXFZ-4S.43/16	用于开档尺寸为540柜体 Used for hole size 540 cubicle

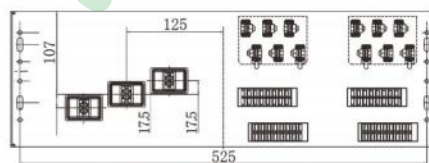
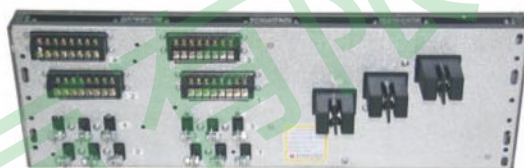
- 同类型三、四极转接器混装不必另外加工非标垂直母线  
3P and 4P condapters in same type no need to customize the vertical busbar

### DXFZ-5型8E/4三极63A后出线薄型电路分配转接器

#### DXFZ-58E/4 3Poles Back Outgoing Thin-type Circuit Distribution Condapter



DXFZ-5型8E/4三极后出线薄型电路分配转接器正面示意图  
DXFZ-5 8E/4 3Poles back outgoing thin-type circuit distribution condapter front view



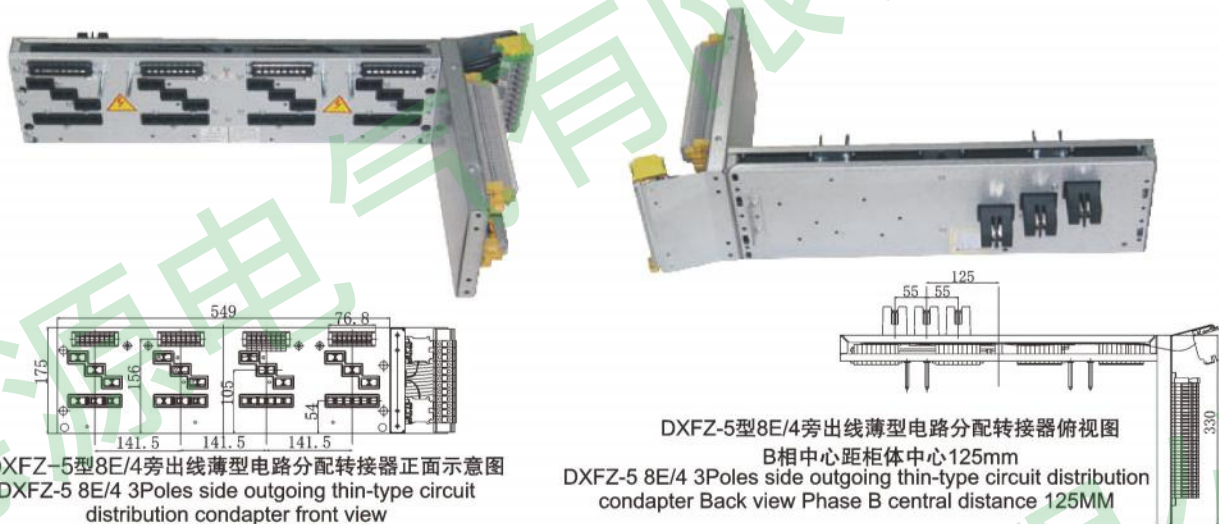
DXFZ-5型8E/4三极后出线薄型电路分配转接器背面示意图  
B相中心距柜体中心125mm  
DXFZ-5 8E/4 3Poles back outgoing thin-type circuit distribution condapter Back view Drawer central distance 125MM

### DXFZ-5型三极63A型号列表

#### DXFZ-5 3Poles 63A Model Lists

型号 Model No.	外形尺寸 Outline size	带三位置功能的型号 With three-position function model	备注 Remark
DXFZ-5.1/16	175×549×45	DXFZ-5S.1/16	用于开档尺寸为550柜体后出线 Used for hole size 550 cubicle back wiring
DXFZ-5.2/16		DXFZ-5S.2/16	用于开档尺寸为550柜体旁出线 Used for hole size 550 cubicle side wiring
DXFZ-5.3/16		DXFZ-5S.3/16	用于开档尺寸为550柜体混装结构, 左8E/4,右8E/2,旁出线 Used for hole size 550 cubicle mixed structure, Left in 8E/4, Right in 8E/2, side outgoing
DXFZ-5.4/16		DXFZ-5S.4/16	用于开档尺寸为550柜体混装结构, 带端子盒后出线 Used for hole size 550 cubicle mixed structure, with terminal box in back wiring

## ——经济型低压配电柜通用附件

**DXFZ-5型8E/4旁出线薄型电路分配转接器****DXFZ-5 8E/4 Side Outgoing Thin-type Circuit Distribution Condapter**

DXFZ-5型8E/4旁出线薄型电路分配转接器正面示意图  
DXFZ-5 8E/4 3Poles side outgoing thin-type circuit distribution condapter front view

DXFZ-5型8E/4旁出线薄型电路分配转接器俯视图  
B相中心距柜体中心125mm  
DXFZ-5 8E/4 3Poles side outgoing thin-type circuit distribution condapter Back view Phase B central distance 125MM

**DXFZ-6型8E/2 125A薄型电路分配转接器****DXFZ-68E/2 125A Thin-type Circuit Distribution Condapter****主要电气参数****Main Electric Parameters**

额定工作电压：主回路400V：辅助回路：交流200V(直流100V)

额定绝缘电压：690V

工频耐受电压：2500V/min

额定电流：主回路进线至250A(分路线至125A)：辅助回路10A

Rated operating voltage: 400V for main circuit, AC200V (DC100V) for auxiliary circuit

Rated insulation voltage: 690V

Power frequency withstand voltage: 2500V/min

Rated current: main circuit incoming up to 250A (branch outgoing up to 125A); 10A for auxiliary circuit

**产品优点****Product Advantages**

DXFZ-6系列50相距薄型电路分配转接器是为母排5mm厚，相距50mm母线如装配半块功能板情况下使用，使用时须注意如下几点：

- 1、装配转接器时须取下汇流排衬套板，我司有专用设计的固定L型母线用零件，保证动稳定性能。
- 2、抽屉层隔板和标准MNS隔板通用，可实现半块功能板柜型使用薄型电路分配转接器。
- 3、DXFZ-6系列抽屉和DXFZ-1,3,4系列抽屉通用。

DXFZ-6型8E/2 一次125A后出线，二次16线后出线，垂直母线50相距，抽屉中心距283mm

DXFZ-6 series phase distance 50mm thin-type circuit distribution condapter is used for 5mm thickness busbar. When it is used for 50mm busbar half-function board, please pay attention to below points:

1. When assemble the condapter, we have designed fixed parts for fixing L-type busbar to ensure the stability
2. Partition board for drawer layer and standard MNS can be the same use, to realize the half-funciton board cubicle to use circuit distribution condapter.
3. DXFZ-6 series drawers and DXFZ-1, 3, 4 series drawers are interchangeable.

DXFZ-6 8E/2 primary plugins in 125A back outgoing, secondary plugins in 16-wire back outgoing, vertical busbar phase distance 50mm, drawer center distance :283mm

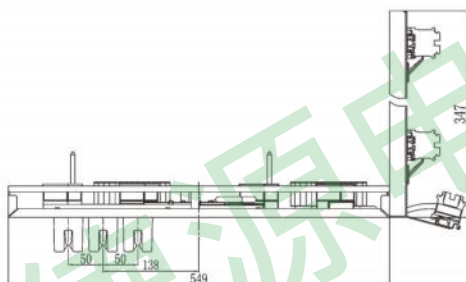
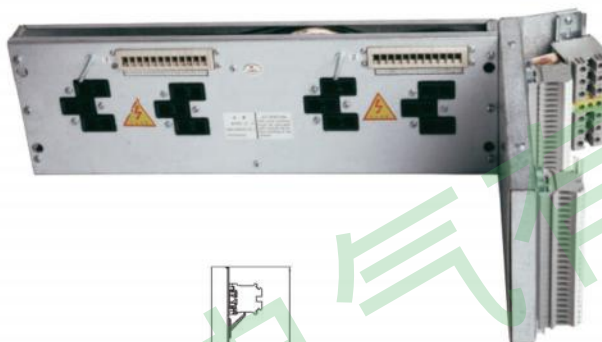
### DXFZ-6型125A后出线型号列表

#### DXFZ-6125A Back Wiring Model Lists

型号 Model No.	型号说明 Model description	外形尺寸 Outline size	带三位置功能的型号 With three-position function model	备注 Remark
DXFZ-6.1/24	50相距4极后出24线,抽屉中心距283mm Phase distance 50, 4P back outgoing, drawer center distance in 283mm	175×549×45	DXFZ-6S.1/24	用于开档尺寸为550柜体 Used for hole size 550 cubicle
DXFZ-6.2/24	50相距3极后出24线,抽屉中心距283mm Phase distance 50, 3P back outgoing, drawer center distance in 283mm		DXFZ-6S.2/24	

■ DXFZ-6型8E/2 一次125A旁出线, 二次24线旁出线, 垂直母线50相距, 抽屉中心距283mm

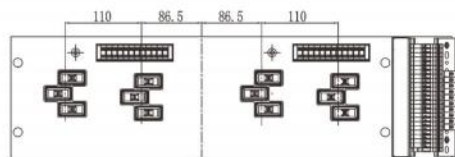
DXFZ-6 8E/2 primary plugins 125A side outgoing, secondary 24-wires side outgoing, vertical busbars phase distance 50mm, drawer center distance of 283mm



DXFZ-6型8E/2旁出线薄型电路分配转接器俯视图

B相中心距柜体中心138mm

DXFZ-6 8E/2 side outgoing thin-type circuit distribution condapter front view Drawer central distance 138MM



DXFZ-6型8E/2后出线薄型电路分配转接器正面示意图

抽屉中心距283mm

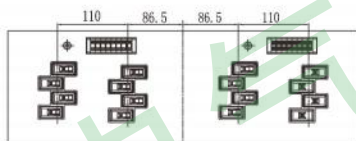
DXFZ-6 8E/2 back outgoing thin-type circuit distribution condapter Back view Phase B central distance 283MM

### DXFZ-6型125A后出线型号列表

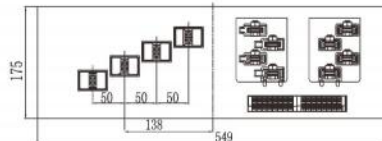
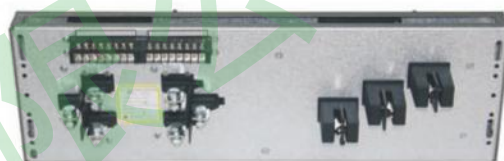
#### DXFZ-6 125A Side Wiring Model Lists

型号 Model No.	型号说明 Model description	外形尺寸 Outline size	带三位置功能的型号 With three-position function model	备注 Remark
DXFZ-6.3/24	50相距4极旁出24线,抽屉中心距283mm Phase distance 50, 4P side outgoing, drawer center distance in 283mm	175×549×45	DXFZ-6S.3/24	用于开档尺寸为550柜体 Used for hole size 550 cubicle back wiring
DXFZ-6.4/24	50相距3极旁出24线,抽屉中心距283mm Phase distance 50, 3P side outgoing, drawer center distance in 283mm		DXFZ-6S.4/24	

## ——经济型低压配电柜通用附件

DXFZ-6型8E/2后出线薄型电路分配转接器正面示意图  
抽屉中心距283mm

DXFZ-6 8E/2 back outgoing thin-type circuit distribution condapter front view Drawer central distance 283MM

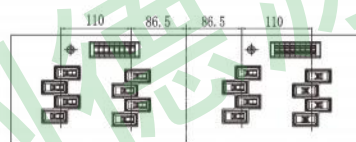
DXFZ-6型8E/2后出线薄型电路分配转接器背面示意图  
B相中心距柜体中心138mm

DXFZ-6 8E/2 back outgoing thin-type circuit distribution condapter Back view Phase B central distance 138MM

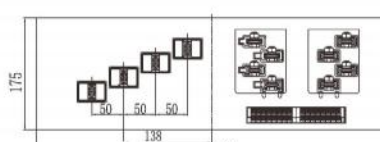
## DXFZ-6型125A后出线型号列表

## DXFZ-6 125A Back Wiring Model Lists

型号 Model No.	型号说明 Model description	外形尺寸 Outline size	带三位置功能的型号 With three-position function model	备注 Remark
DXFZ-6. 1/16	50相距4极后出16线,抽屉中心距283mm Phase distance 50, 4P back outgoing, drawer center distance in 283mm	175×549×45	DXFZ-6S.1/16	用于开档尺寸为550柜体 Used for hole size 550 cubicle back wiring
DXFZ-6. 2/16	50相距3极后出16线,抽屉中心距283mm Phase distance 50, 3P back outgoing, drawer center distance in 283mm		DXFZ-6S.2/24	

DXFZ-6型8E/2后出线薄型电路分配转接器正面示意图  
抽屉中心距283mm

DXFZ-6 8E/2 back outgoing thin-type circuit distribution condapter front view Drawer central distance 283MM

DXFZ-6型8E/2后出线薄型电路分配转接器背面示意图  
B相中心距柜体中心138mm

DXFZ-6 8E/2 back outgoing thin-type circuit distribution condapter Back view Phase B central distance 138MM

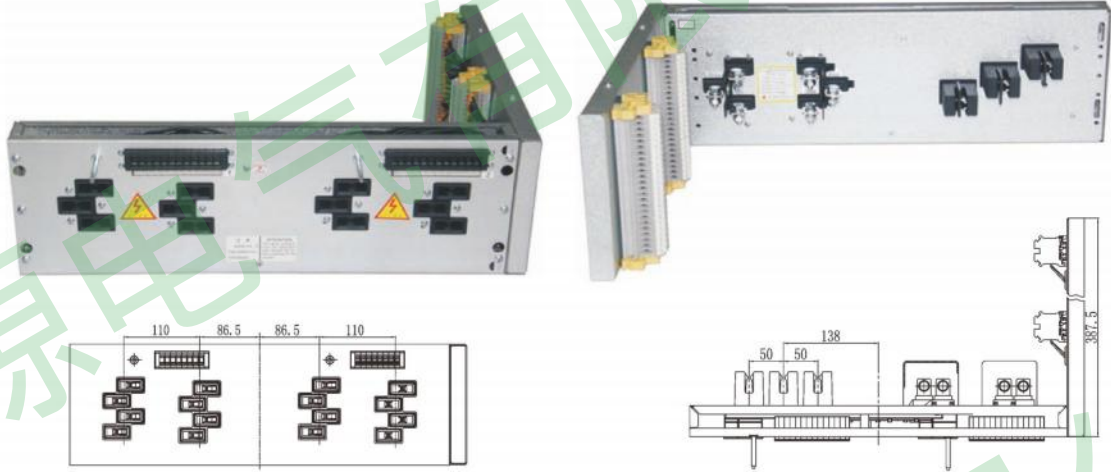
## DXFZ-6型125A后出线型号列表

## DXFZ-6 125A Back Wiring Model Lists

型号 Model No.	型号说明 Model description	外形尺寸 Outline size	带三位置功能的型号 With three-position function model	备注 Remark
DXFZ-6. 1/16	50相距4极后出16线,抽屉中心距283mm Phase distance 50, 4P back outgoing, drawer center distance in 283mm	175×549×45	DXFZ-6S.1/16	用于开档尺寸为550柜体 Used for hole size 550 cubicle back wiring
DXFZ-6. 2/16	50相距3极后出16线,抽屉中心距283mm Phase distance 50, 3P back outgoing, drawer center distance in 283mm		DXFZ-6S.2/24	

**DXFZ-6型8E/2 一次125A后出线，二次24线后出线，垂直母线50相距，抽屉中心距283mm**

DXFZ-6 8E/2 primary plugins 125A back outgoing, secondary 24-wires back outgoing, vertical busbars phase distance 50mm, drawer center distance of 283mm



DXFZ-6型8E/2后出线薄型电路分配转接器正面示意图

抽屉中心距283mm

DXFZ-6 8E/2 back outgoing thin-type circuit distribution condapter front view Drawer central distance 283MM

DXFZ-6型8E/2后出线薄型电路分配转接器俯视图

B相中心距柜体中心138mm

DXFZ-6 8E/2 back outgoing thin-type circuit distribution condapter Back view Phase B central distance 138MM

**DXFZ-7型8E/4薄型电路分配转接器**
**DXFZ-78E/4 Thin-type Circuit Distribution Condapter**
**产品优点**
**Product Advantages**

DXFZ-7系列50相距薄型电路分配转接器是为母排5mm厚，相距50mm母线如装配半块功能板情况下使用，使用时须注意如下几点：

- 1、装配转接器时须取下汇流排衬套板，我司有专用设计的固定L型母线用零件，保证动稳定性。
- 2、抽屉层隔板和标准MNS隔板通用，可实现半块功能板柜型使用薄型电路分配转接器。
- 3、DXFZ-7系列抽屉和DXFZ-5系列抽屉通用。

B相中心距138mm，相距50mm。

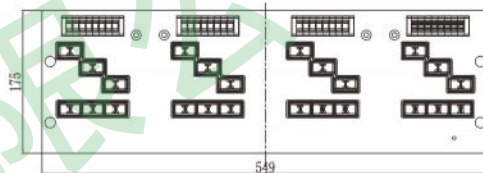
DXFZ-7 series phase distance 50mm thin-type circuit distribution condapter is used for 5mm thickness busbar. When it is used for 50mm busbar half-function board, please pay attention to below points:

1. When assemble the condapter, we have designed fixed parts for fixing L-type busbar to ensure the stability
2. Partition board for drawer layer and standard MNS can be the same use, to realize the half-funciton board cubicle to use circuit distribution condapter.
3. DXFZ-7 series drawers and DXFZ-5series drawers are interchangeable.

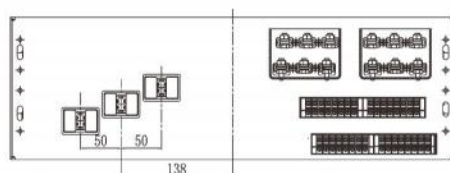
Phase B center distance :138mm; Pole distance 50mm

型号 Model No.	外形尺寸 Outline size	带三位置功能的型号 With three-position function model	备注 Remark
DXFZ-7.1/16	175×549×45	DXFZ-7S.1/16	用于开档尺寸为550柜体后出线 Used for hole size 550 cubicle back wiring
DXFZ-7.2/16		DXFZ-7S.2/16	用于开档尺寸为550柜体旁出线 Used for hole size 550 cubicle side wiring
DXFZ-7.3/16		DXFZ-7S.3/16	用于开档尺寸为550柜体混装结构，左8E/4,右8E/2,旁出线 Used for hole size 550 cubicle mixed structure, Left in 8E/4, Right in 8E/2, side outgoing
DXFZ-7.4/16		DXFZ-7S.4/16	用于开档尺寸为550柜体混装结构，带端子盒后出线 Used for hole size 550 cubicle mixed structure, with terminal box in back wiring

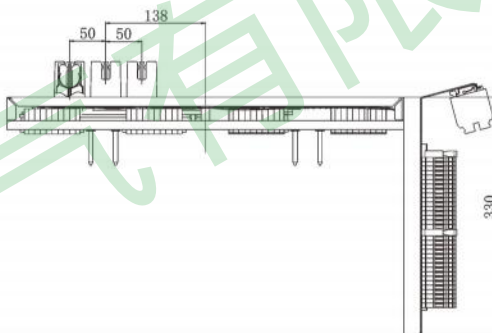
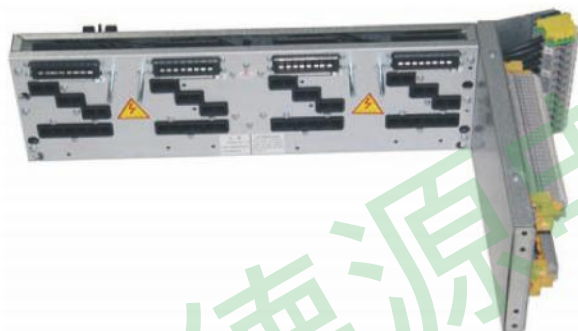
## ——经济型低压配电柜通用附件

DXFZ-7型8E/4后出线薄型电路分配转接器正面示意图  
抽屉中心距141.5mm

DXFZ-7 8E/4 back outgoing thin-type circuit distribution condapter front view Drawer central distance 141.5MM

DXFZ-7型8E/4后出线薄型电路分配转接器背面示意图  
B相中心距柜体中心138mm

DXFZ-7 8E/4 back outgoing thin-type circuit distribution condapter Back view Phase B central distance 138MM

DXFZ-7型8E/4旁出线薄型电路分配转接器俯视图  
B相中心距柜体中心138mm

DXFZ-7 8E/4 back outgoing thin-type circuit distribution condapter top view Phase B central distance 138MM

**DXFZ-8型薄型电路分配转接器****DXFZ-8 Type Back Wiring Thin-type Circuit Distribution Condapter****主要电气参数****Main Technical Data**

额定工作电压：主回路400V；辅助回路：交流200V(直流100V)

额定绝缘电压：690V

工频耐受电压：2500V/min

额定电流：主回路进线至250A(分路出线至125A)；辅助回路10A

Rated operating voltage: 400V for main circuit, AC200V (DC100V) for auxiliary circuit

Rated insulation voltage: 690V

Power frequency withstand voltage: 2500V/min

Rated current: main circuit incoming up to 250A (branch outgoing up to 125A); 10A for auxiliary circuit

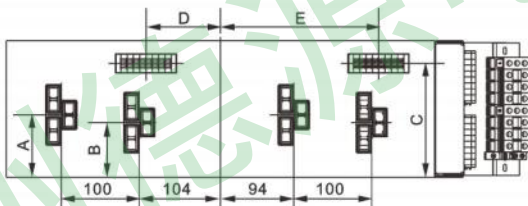
### 产品优点

#### Product Advantages

- ① 主电路电气连接异型铜母线，单个抽屉额定电流最大达到125A；
  - ② 转接器厚度为45mm,增加了抽屉深度；
  - ③ 抽屉侧板分两种：塑料侧板和金属侧板；两种形式的抽屉能完全互换；
  - ④ 采用多层布线，异型母线排列在具有通风槽的座体内，提高了转接器的散热效果；
  - ⑤ B相中心距125mm,相距55mm,抽屉中心距298mm；
  - ⑥ 1/2抽屉与单元抽屉侧边对齐；
  - ⑦ 层间隔板同DFZ型85厚转接件，无需更改；
- ① Main circuit electrical connects special-shaped copper busbar, rated current of single drawer up to 125A;
  - ② Thickness of the condapter is 45mm, which increases the depth of drawer;
  - ③ The drawer side wall can be divided into two types:plastic and metal; two types can be totally exchanged;
  - ④ Multi-layer wiring is adopted, and the special-shaped bus is arranged in the seat body with ventilation slots, which improves the heat dissipation effect of the adapter.
  - ⑤ Phase B central distance 125MM, Pole distance 55MM, drawer central distance 298MM
  - ⑥ The 1/2 drawer is aligned with the side of the unit drawer;
  - ⑦ The interlayer is same as DFZ type 85-thick condapter, no need to change;

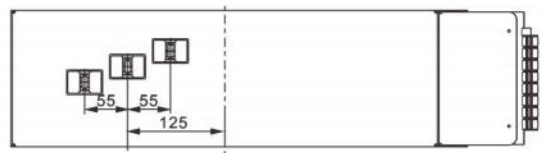
### DXFZ-8.21B型三极旁出线薄型电路分配转接器

#### DXFZ-8.21B Type 3Poles Side Wiring Thin-type Circuit Distribution Condapter



DXFZ-8.21B型三极旁出线电路分配转接器正面示意图薄型  
抽屉中心距298mm

DXFZ-8.21B 3Poles side outgoing thin-type circuit distribution condapter front view Drawer central distance 298MM



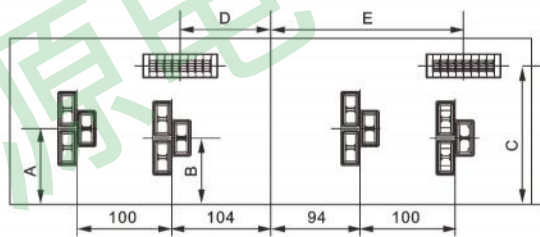
DXFZ-8.21B型三极旁出线电路分配转接器背面示意图薄型  
B相中心距柜体中心125

DXFZ-8.21B 3Poles side outgoing thin-type circuit distribution condapter Back view Phase B central distance 125MM

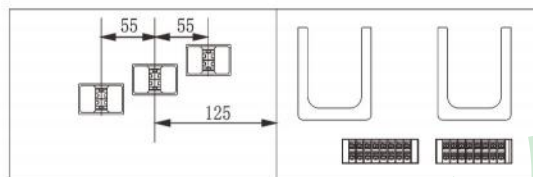
型号 Model No.	A	B	C	D	E	外形尺寸 Outline size	备注 Remark
DXFZ-8.21B/16				95.25	202.75		
DXFZ-8.21B/24	80	70	146	111.5	186.5	175x549x45	用于开档尺寸为550柜体 Used for hole size 550 cubicle
DXFZ-8.21B/32				127.5	170.5		

### DXFZ-8B三极125A型号列表(抽屉中心距298mm)

DXFZ-8B 3Poles 125A (Drawer Central Distance 298mm)



DXFZ-8B 型后出线薄型电路分配转接器正面示意图  
 抽屉中心距298mm  
 DXFZ-8B back outgoing thin-type circuit distribution condapter front view Drawer central distance 298MM



DXFZ-8B 型后出线薄型电路分配转接器背面示意图  
 B相中心距柜体中心125mm  
 DXFZ-8B back outgoing thin-type circuit distribution condapter Back view Phase B central distance 125MM

### DXFZ-8B三极125A型号列表(抽屉中心距298mm)

DXFZ-8B 3Poles 125A main circuit distribution condapter (Drawer Central Distance 298MM)

型号 Model No.	A	B	C	D	E	外形尺寸 Outline size	备注 Remark
DXFZ-8.1B/16				95.25	202.75		
DXFZ-8.1B/24	80	70	146	111.5	186.5	175x549x45	用于开档尺寸为550柜体 Used for hole size 550 cubicle
DXFZ-8.1B/32				127.5	170.5		
DXFZ-8.5B/16				95.25	202.75		
DXFZ-8.5B/24				111.5	186.5	135x539x45	用于开档尺寸为540柜体 Used for hole size 540 cubicle
DXFZ-8.6B/16	54.5	44.5	111	95.25	202.75		
DXFZ-8.6B/24				111.5	186.5	135x549x45	用于开档尺寸为550 20模数C型材柜体 Used for hole size 550 cubicle, 20 modular Type C section cubicle
DXFZ-8.4B/16				95.25	202.75		
DXFZ-8.4B/24	54.5	44.5	106	111.5	186.5	125x549x45	用于开档尺寸为550 25 模数C型材柜体 Used for hole size 550 cubicle, 25 modular Type C section cubicle

### DXFZ-9.1型四极125A后出线薄型电路分配转接器

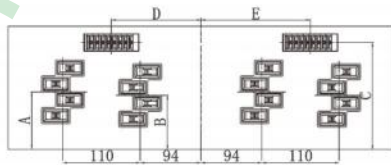
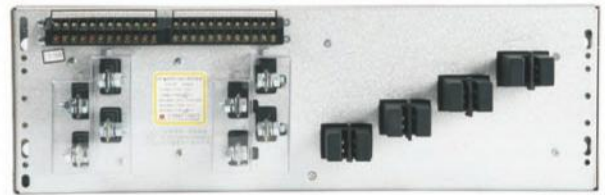
#### DXFZ-9.1 4Poles 125A back outgoing thin-type circuit distribution condapter

4极125A后出线薄型转接器

B相中心距147.5mm,相距55mm,抽屉中心距298mm

4 Poles 125A back wiring thin type circuit distribution condapter

Phase B central distance 147.5mm, Pole distance 55mm, Drawer central distance: 298mm



DXFZ-9.1型四极后出线薄型电路分配转接器正面示意图  
抽屉中心距298mm

DXFZ9.1 4Poles back outgoing thin-type circuit distribution condapter front view Drawer central distance 298MM



DXFZ-9.1型四极后出线薄型电路分配转接器背面示意图  
B相中心距柜体中心147.5mm

DXFZ9.1 4Poles back outgoing thin-type circuit distribution condapter Back view Phase B central distance 147.5MM

型号 Model No.	A	B	C	D	E	外形尺寸 Outline size	带三位置功能的型号 With three-position function model	备注 Remark
DXFZ-9.11/16				128	170	175x549x45	DXFZ-9S.11/16	用于开档尺寸为550柜体 Used for hole size 550 cubicle
DXFZ-9.11/24				111.8	186.3		DXFZ-9S.11/24	
DXFZ-9.13/16	81.75	76.75	152	128	170		DXFZ-9S.13/16	用于开档尺寸为540柜体 Used for hole size 540 cubicle

- 同类型三、四极转接器混装不必另外加工非标垂直母线  
3P and 4P condapters in same type no need to customize the vertical busbar

### DXFZ-9.2型后出线薄型电路分配转接器

#### DXFZ-9.2 Type Back Wiring Thin-type Circuit Distribution Condapter

B相中心距147.5mm,相距55mm。

3极125A后出线薄型转接器(母线位置同四极,抽屉中心距298mm)。

Phase B central distance 147.5mm, Pole distance 55mm

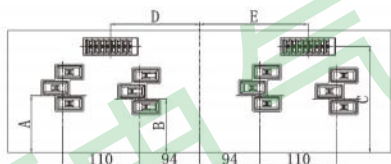
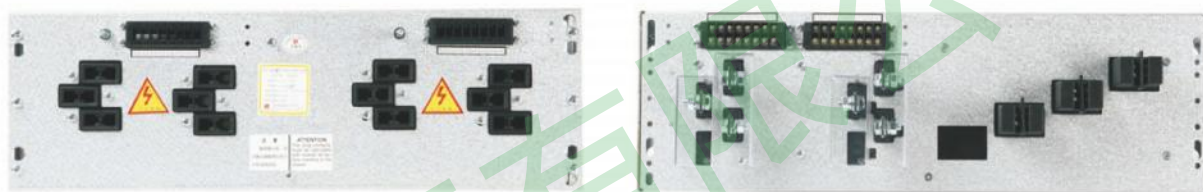
3Poles 125A back wiring thin-type circuit distribution condapter(busbar position same with 4Poles, drawer central distance 298mm)

型号 Model No.	A	B	C	D	E	外形尺寸 Outline size	带三位置功能的型号 With three-position function model	备注 Remark
DXFZ-9.21/16				128	170	175x549x45	DXFZ-9S.21/16	用于开档尺寸为550柜体 Used for hole size 550 cubicle
DXFZ-9.21/24				111.8	186.3		DXFZ-9S.21/24	
DXFZ-9.23/16	81.75	76.75	152	128	170	175x539x45	DXFZ-9S.23/16	用于开档尺寸为540柜体 Used for hole size 540 cubicle

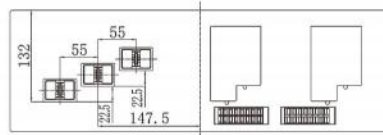
- 同类型三、四极转接器混装不必另外加工非标垂直母线  
3P and 4P condapters in same type no need to customize the vertical busbar

131 经济型通用件低压配电柜附件

## ——经济型低压配电柜通用附件



DXFZ-9.2型后出线薄型电路分配转接器正面示意图  
抽屉中心距298mm  
DXFZ9.2 back outgoing thin-type circuit distribution  
condapter front view Drawer central distance 298MM

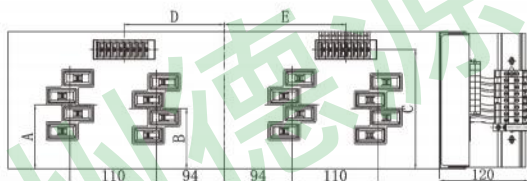
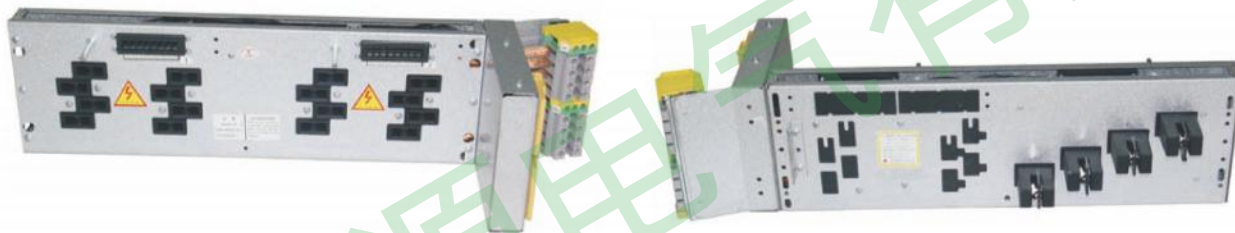


DXFZ-9.2型后出线薄型电路分配转接器正面示意图  
B相中心距柜体中心147.5mm  
DXFZ9.2 back outgoing thin-type circuit distribution  
condapter Back view Phase B central distance 147.5MM

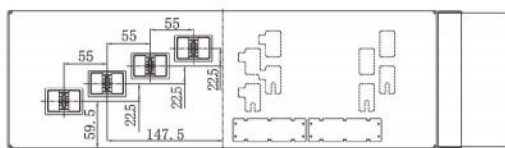
**DXFZ-9.3型四极旁出线薄型电路分配转接器****DXFZ-9.3 Type 4Poles 125A Side Wiring Thin-type Circuit Distribution Condapter**

4极125A旁出线薄型转接器(抽屉中心距298mm)

4Poles 125A side wiring thin-type circuit distribution condapte(drawer central distance 298mm)



DXFZ-9.3型四极旁出线电路分配转接器正面示意图薄型  
抽屉中心距298mm  
DXFZ-9.3 4Poles side outgoing thin-type circuit distribution  
condapter front view Drawer central distance 298MM



DXFZ-9.3型四极旁出线薄型电路分配转接器背面示意图  
B相中心距柜体中心147.5mm  
DXFZ9.3 4Poles side outgoing thin-type circuit distribution  
condapter Back view Phase B central distance 147.5MM

型号 Model No.	A	B	C	D	E	外形尺寸 Outline size	带三位置功能的型号 With three-position function model	备注 Remark
DXFZ-9.31/16				140	158	175×549×45	DXFZ-9S.31/16	用于开档尺寸为550柜体 Used for hole size 550 cubicle
DXFZ-9.31/24				123.75	174.75		DXFZ-9S.31/24	
DXFZ-9.33/16	81.75	76.75	152	140	158	175×539×45	DXFZ-9S.33/16	用于开档尺寸为540柜体 Used for hole size 540 cubicle

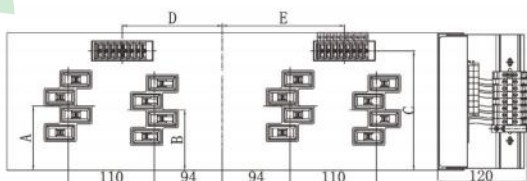
■ 同类型三、四极转接器混装不必另外加工非标垂直母线  
3P and 4P condapters in same type no need to customize the vertical busbar

## DXFZ-9.4型三极旁出线薄型电路分配转接器

### DXFZ-9.4 Type 3Poles Side Wiring Thin-type Circuit Distribution Condapter

3极125A旁出线薄型转接器(母线位置同四极,抽屉中心距298mm)

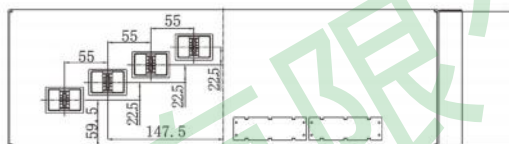
3Poles 125A side wiring thin-type circuit distribution condapter (busbar position same with 4Poles, drawer central distance 298mm)



DXFZ-9.4型三极旁出线电路分配转接器正面示意图薄型

抽屉中心距298mm

DXFZ-9.4 3Poles side outgoing thin-type circuit distribution condapter front view Drawer central distance 298MM



DXFZ-9.4型三极旁出线薄型电路分配转接器背面示意图

B相中心距柜体中心147.5mm

DXFZ9.4 3Poles side outgoing thin-type circuit distribution condapter Back view Phase B central distance 147.5MM

## DXFZ-9.4型三极125A旁出线型号列表(抽屉中心距298mm)

### DXFZ-9.4 3Poles 125A Side Wiring Thin-type Circuit Distribution Condapte(Drawer Central Distance 298MM)

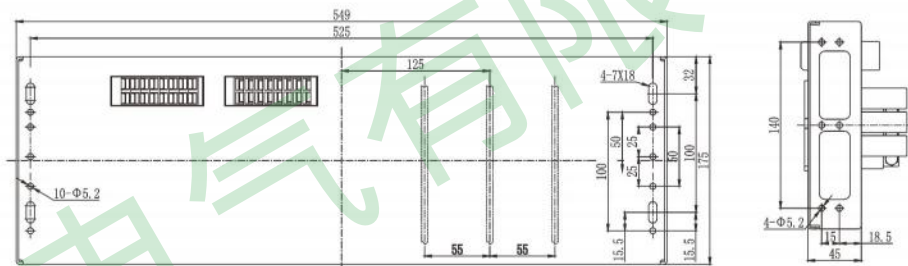
型号 Model No.	A	B	C	D	E	外形尺寸 Outline size	带三位置功能的型号 With three-position function model	备注 Remark
DXFZ-9.41/16				128	170	175×549×45	DXFZ-9S.41/16	用于开档尺寸为550柜体 Used for hole size 550 cubicle
DXFZ-9.41/24	81.75	76.75	152	111.8	174.75		DXFZ-9S.41/24	
DXFZ-9.43/16				128	170	175×539×45	DXFZ-9S.43/16	用于开档尺寸为540柜体 Used for hole size 540 cubicle

■ 同类型三、四极转接器混装不必另外加工非标垂直母线  
3P and 4P condapters in same type no need to customize the vertical busbar

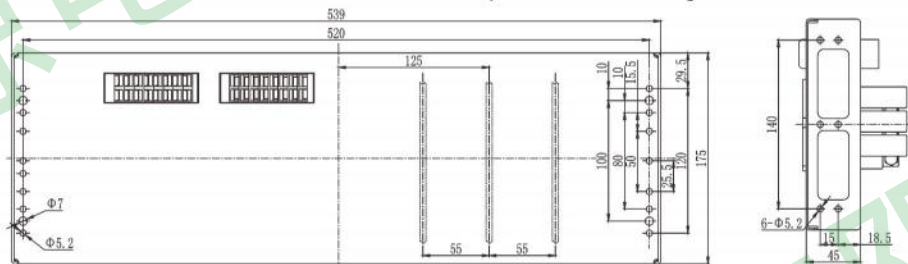
133 经济型通用件低压配电柜附件

### DXFZ薄型电路分配转接器安装孔示意图

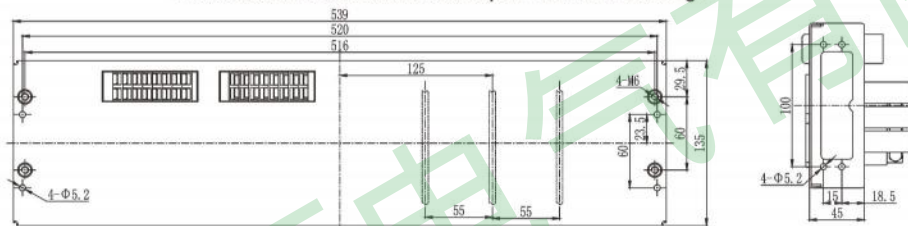
#### DXFZ Circuit Distribution Condapter Hole Size Drawings



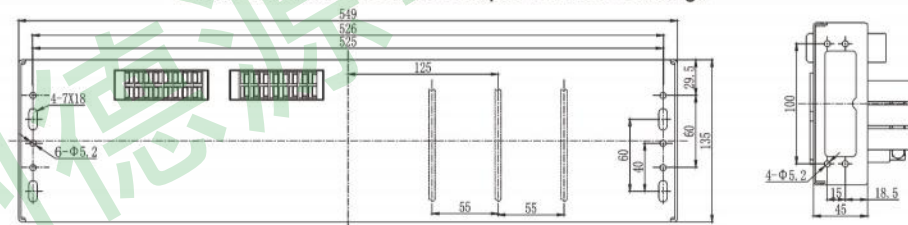
175x549薄型电路分配转接器安装孔示意图  
175 × 549circuit distribution condapter hole size drawings



175x539薄型电路分配转接器安装孔示意图  
175 × 539circuit distribution condapter hole size drawings



135x539薄型电路分配转接器安装孔示意图  
135 × 539circuit distribution condapter hole size drawings



135x549薄型电路分配转接器安装孔示意图  
135 × 549circuit distribution condapter hole size drawings

#### ■ 定货须知

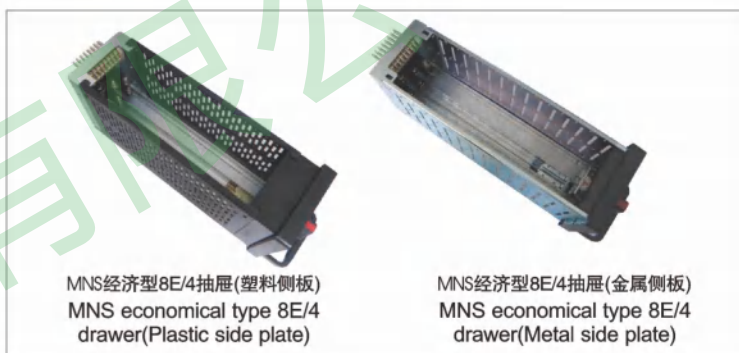
##### Order Instruction

- ① DXFZ型小单元转接器定货时请注明规格、型号及辅助电路接点数；
  - ② 转接器与抽屉全套订购时，应注明抽屉层板的深度（400mm，450mm，500mm）柜型类别；
  - ③ 转接器与抽屉全套订购时，要注明抽屉侧板的类型（塑料侧板或者金属侧板）；
  - ④ 订货时无注明镀层颜色转接件和金属侧板统一按覆铝锌板材质发货；
  - ⑤ 若有其它特殊要求请定货时注明。
- ① Please specify specifications, model no. And auxiliary contact numbers;
  - ② When ordering condapter and drawer in full set, please specify drawer layers depth (400MM, 450MM, 500MM)
  - ③ When ordering condapter and drawer in full set, please specify drawer layers in plastic or metal
  - ④ No special requirements on painting color, we usually send as per metal side plate
  - ⑤ If any special requirements, please specify.

### 薄型转接器MNS经济型8E/4抽屉

#### Thin-type Condapter MNS Economical 8E/4 Drawer

- ① 底板采用拉制铝型材，安装方便、可靠
- ② 单个抽屉额定电流达到63A
- ③ 规格齐全，抽屉深度分400mm、450mm、500mm
- ① The bottom plate is made of drawn aluminum, easy assemble and reliable.
- ② Single drawer rated current up to 63A
- ③ Full optional drawer depth: 400mm, 450mm and 500mm



### 薄型转接器MNS经济型8E/2抽屉

#### Thin-type Condapter MNS Economical 8E/2 Drawer

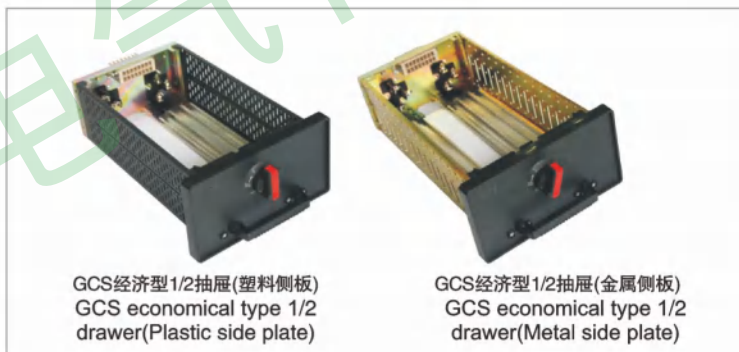
- ① 底板采用拉制铝型材，安装方便、可靠
- ② 单个抽屉额定电流最大至125A(包括四极抽屉)
- ③ 规格齐全，抽屉深度分400mm、450mm、500mm
- ① The bottom plate is made of drawn aluminum, easy assemble and reliable.
- ② Single drawer rated current up to 125A (including 4P drawer).
- ③ Full optional drawer depth: 400mm, 450mm and 500mm



### 薄型转接器GCS经济型1/2抽屉

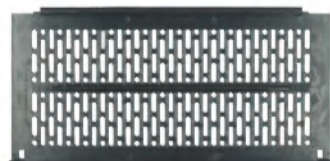
#### Thin-type Condapter GCS Economical 1/2 Drawer

- ① 底板采用拉制铝型材，安装方便、可靠
- ② 单个抽屉额定电流最大至125A
- ③ 规格齐全，抽屉深度分400mm、450mm、500mm
- ① The bottom plate is made of drawn aluminum, easy assemble and reliable.
- ② Single drawer rated current up to 125A
- ③ Full optional drawer depth: 400mm, 450mm and 500mm

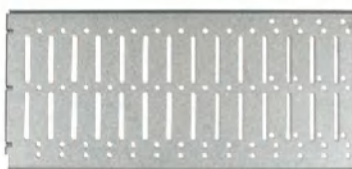
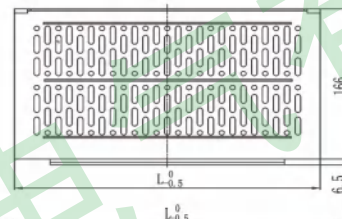


### 薄型转接器左右侧板

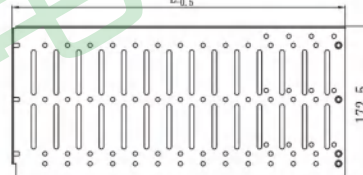
#### Thin Type Condapter Left And Right Side Plate



MNS经济型抽屉塑料侧板  
MNS Economical drawer plastic side plate  
DTC-1.34001-1 L=281 (400深 Depth)  
DTC-1.11003 L=331.5 (450深 Depth)  
DXTC-1.33002 L=381.5 (500深 Depth)



MNS经济型抽屉金属左/右侧板  
MNS Economical drawer metal side plate  
DXTC-1.36002/3 L=319 (400深 Depth)  
DXTC-1.36002/3-1 L=369 (450深 Depth)  
DXTC-1.36002/3-2 L=419 (500深 Depth)



## ——经济型低压配电柜通用附件

## 经济型1/2塑料侧板抽屉仪表板

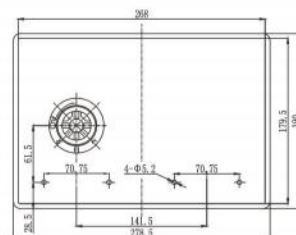
## Instrumental Plate For Economical 1/2 Plastic Side Plate Drawer

配薄型转接器,抽屉中心距283mm

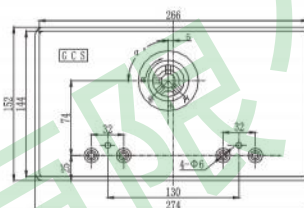
For thin type condapter, drawer central distance 283mm



MNS经济型1/2抽屉仪表板  
Instrumental plate for MNS economical 1/2 drawer  
DTC-1.12001 (90°)(配塑料侧板)  
(HANL 200 060P1)  
DXTC-1.36001 (90°)(配金属侧板)



GCS经济型1/2抽屉仪表板  
Instrumental plate for GCS economical 1/2 drawer  
DTC-1.21001 (60°)(配塑料侧板)  
DTC-1.21001-2 (90°)(配塑料侧板)  
DXTC-1.34001(60°)(配金属侧板)  
DXTC-1.34001-1(90°)(配金属侧板)



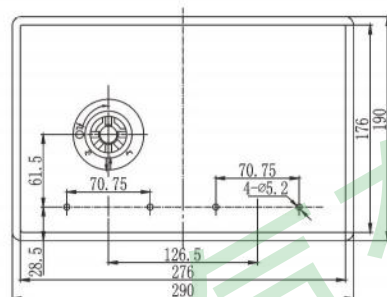
## 经济型1/2抽屉仪表板

## Instrumental Plate For Economical 1/2 Drawer

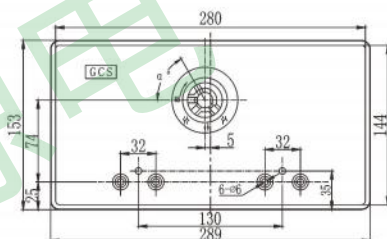
- 配薄型转接器,抽屉中心距298mm。
- 金属侧板抽屉和塑料侧板抽屉仪表板外型及其开孔区域相同。
- For thin type condapter, drawer central distance 283mm
- Instrumental plate hole size for Metal side plate and plastic side plate drawer are the same



DMNS经济型1/2抽屉面板  
Instrumental plate for DMNS Economical  
1/2 drawer  
DXTC-2.33101

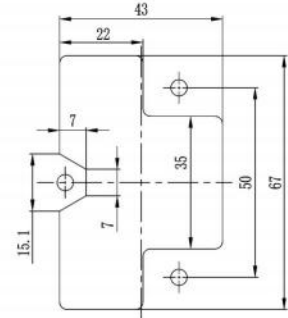
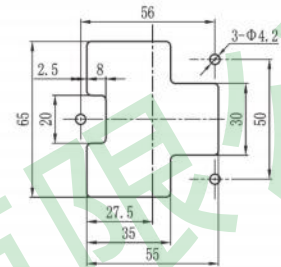
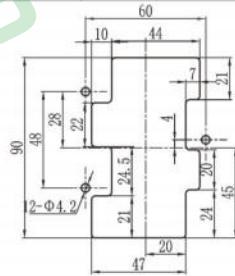
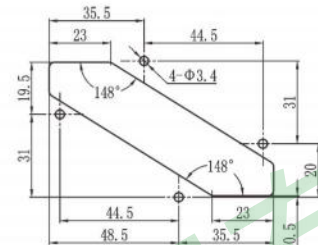
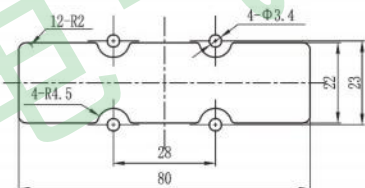


GCS经济型1/2单元抽屉面板  
Instrumental plate for GCS Economical  
1/2 drawer  
DXTC-2.31101(60°)  
DXTC-2.31101-1(90°)



**薄型转接器小单元抽屉一次插头**
**Primary Plugs For Thin Type Condapter Small Unit Drawer**

- 一次插头增加防转卡块, 方便一次导线安装
- Add anti-rotating card for primary plugs, which easy to assemble


 DLC1.2221  
 125A一次插头  
 DLC1.2221  
 125A Primary plug

 DXTC-1.313(进、出线)  
 3极125A一次插头  
 DXTC-1.313  
 (Incoming, outgoing)  
 3Poles 125A primary plugs

 DXTC-1.322(进、出线)  
 4极125A一次插头  
 DXTC-1.322  
 (Incoming, outgoing)  
 4Poles 125A primary plugs

 DXTC-1.371(63A)  
 进线插头(8E/4)  
 DXTC-1.371(63A)  
 Incoming plugs(8E/4)

 DXTC-1.372(63A)  
 出线插头(8E/4)  
 DXTC-1.372(63A)  
 Outgoing plugs(8E/4)


## ——经济型低压配电柜通用附件

## 手柄

## Switch Handle

手柄作为操作机构用，与大、小连锁配套

D型手柄可代替B型手柄使用

It is used together with operating mechanism, match with big or small interlock

Type D and B handle can be interchanged



B型小手柄  
Type B small handle  
HANL 100 018R1



D型小手柄  
Type D small handle  
5DY 100 001



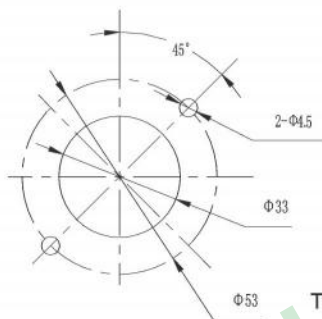
D型手柄  
Type D small handle



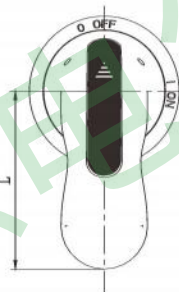
B型手柄  
Type B small handle

名称 Description	图号 Model No.	规格 Specification	L
D1手柄 D1 Handle	DSB-2.008	10×10	65
	DSB-2.009	8×8	
D3手柄 D3 Handle	DSB-2.004	10×10	95
	DSB-2.005	8×8	
D4手柄 D4 Handle	DSB-2.002	10×10	125
	DSB-2.003	8×8	
D5手柄 D5 Handle	DSB-2.006	10×10	80
	DSB-2.007	8×8	

名称 Description	图号 Model No.	规格 Specification	L
B1手柄 B1 Handle	DSB-4.001	8×8	65
	DSB-4.001-1	10×10	
B3手柄 B3 Handle	DSB-4.003	8×8	95
	DSB-4.003-1	10×10	
B4手柄 B4 Handle	DSB-4.002	8×8	125
	DSB-4.002-1	10×10	
B5手柄 B5 Handle	DSB-4.004	8×8	80
	DSB-4.004-1	10×10	



B(D)型手柄安装尺寸  
Type B(D) handle assembly size

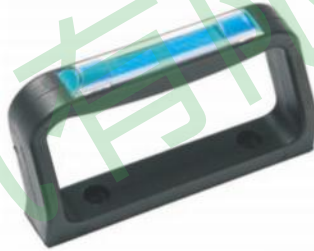


## 1/2、1/4单元抽屉附件

### Unit 1/2, 1/4 Drawer Accessories



DTC-1.114 拉手带标牌架  
Handle with sign rack



DTC-1.114-1 斜拉手带新型蓝色标牌架  
New blue sign holder with cable-stayed handle

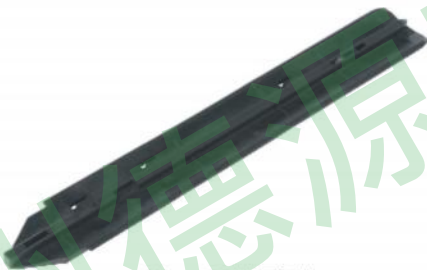


DTC-1.114-2 拉手带新型蓝色标牌架  
Handle with a new blue sign rack



抽屉铝导轨  
Drawer aluminum guide rail

名称 Description	型号及规格 Model No. & Specification	备注 Remark
抽屉铝导轨 Drawer aluminum guide rail	DTC-1.33005	400深抽屉 400 depth drawer
	DTC-1.33005-1	500深抽屉 500 depth drawer
	DTC-1.33005-2	450深抽屉 450 depth drawer

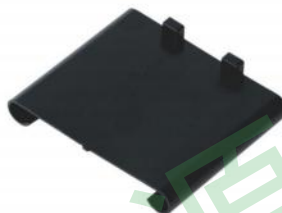


8E/4、8E/2抽屉导轨  
8E/4、8E/2 Drawer guide rail

名称 Description	型号及规格 Model No. & Specification	备注 Remark
8E/4、8E/2 抽屉导轨 8E/4、8E/2 Drawer guide rail	DTC-1.11005	400/450深抽屉用 400/450 depth drawer
	DXTC-1.33003	500深抽屉用 500 depth drawer



DTC-1.11004 前档 Front plate  
(HANL 200 002P1)



DTC-1.34004 铝型材隔板  
Aluminum profile bulkhead

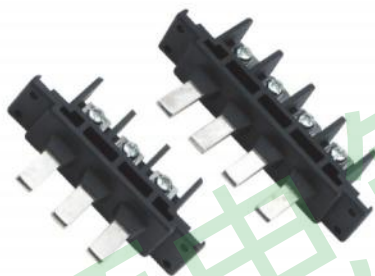


DXTC-1.33103 安装板限位件  
Limit parts for assemble plate

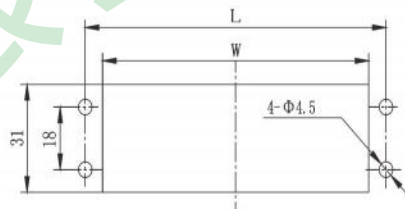
## ——经济型低压配电柜通用附件

## 经济型小抽屉用一次插头, 插座

Primary Plugs, Sockets For Economical Type Small Unit Drawer



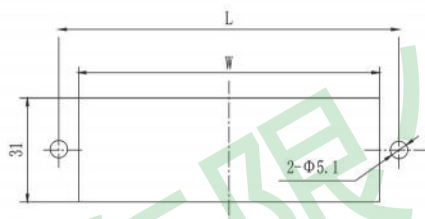
平置式一次插头 (63A)  
Flat type primary plug (63A)  
5DY 363 991 (DYC-1.31, 三极 3Poles)  
5DY 363 992 (DYC-1.33, 四极 4Poles)



型号 Model No.	L	W
5DY 363 991 (DYC-1.31)	100	89
5DY 363 992 (DYC-1.33)	123	111



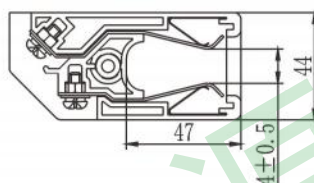
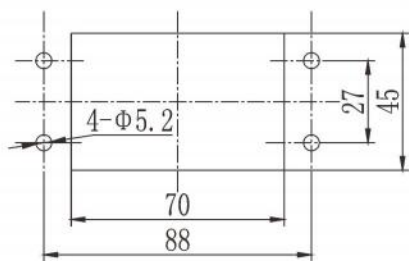
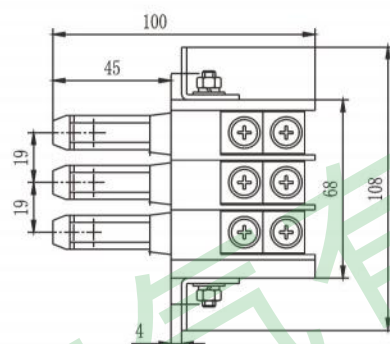
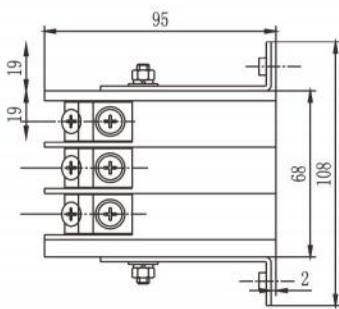
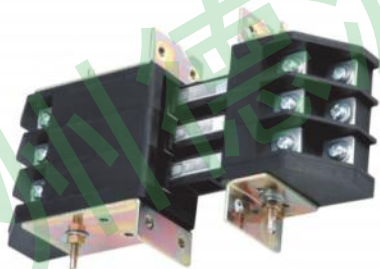
平置式一次静插座 (63A)  
Flat type primary socket (63A)  
5DY 363 993 (DYC-1.32, 三极 3Poles)  
5DY 363 994 (DYC-1.34, 四极 4Poles)



型号 Model No.	L	W
5DY 363 993 (DYC-1.32)	100	89
5DY 363 994 (DYC-1.34)	123	111

## 多回路主电路接插件(63A)

Multi-loop Main Circuit Connector(63A)



6极插座外形尺寸  
6Poles socket dimension  
5DY 363 978

6极插头外形尺寸  
6Poles plug dimension  
5DY 363 979

## DZJ型单极转接件铜母线座

### Copper Busbar Support For DZJ 1Pole Condapter

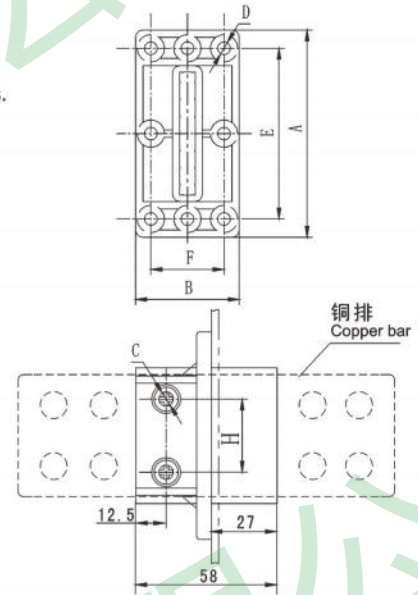
单极3件(4件)自由组合使用  
 铜母线长度可由用户自定  
 相间距可根据需要排列

Combined as your need for single pole 3Pcs(4Pcs)  
 The length of copper busbar can be determined by users.  
 Phase clearance can be arranged as required.



DZJ型单极转接件铜母线座  
 Copper busbar support for  
 DZJ 1Pole condapter

DZJ.01.001G 3X15护套  
 (与DZJ.01配合, 可装3X15铜排)  
 DZJ. 01.001G 3 x15 sheath  
 (With DZJ.01, it can be fitted with 3X15 rows)



型号 Model No.	外形尺寸 Outline dimension		安装尺寸 Assemble dimension			母线规格 Busbar specification	电流等级(A) Current ratio	母线配钻尺寸 Drill dimension		开孔尺寸 Holing dimension
	A	B	E	F	D			C	H	
DZJ.01	55		40			6x20	250			15x27
DZJ.02	65		50			6x30	400			15x37
DZJ.03	85		70			6x50	630	Φ6	30	15x57
DZJ.04	95	42.5	80	30	Φ5.3	6x60	800			18x67
DZJ.05	95		80			10x60	1000		40	18x67
DZJ.06	115		100			10x80	1250	Φ7		18x87
DZJ.07	75		60			6x40	500	Φ6	20	15x47
DZJ.08	65		50			10X30	630	Φ6		18x38

### 定货须知

#### Order Instruction

转接件定货时请注明型号、规格、用途(柜型)、数量;  
 订购DZJ型单极转接件铜母线座, 如需加装铜母线请另加说明;  
 如有特殊要求, 定货时请与我公司销售部门联系。

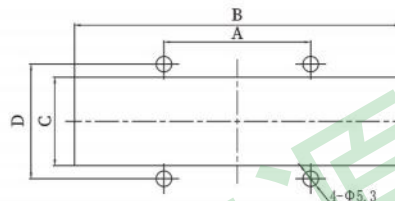
Please specify the model no., specification and usage (switchgear type) quantity  
 When ordering copper busbar support of DZJ 1Pole condapter, please specify if copper busbar is required;  
 Please contact us at any time if any inquiry

## DJQ型固定式转接件

### DJQ Fixed Type Condapter



固定式转接件  
 fixed type condapter



型号 model	A	B	C	D	备注 note
DJQ2.11	42	94	27	36	125A
DJQ2.21	50	111	30	39	250A
DJQ2.31	50	50	42	55	400A

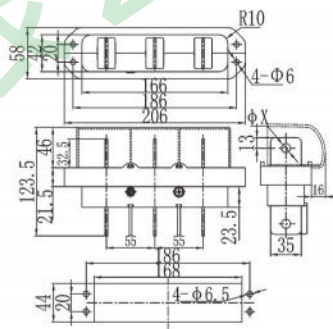
## ——经济型低压配电柜通用附件

## CXT2型固定式转接件

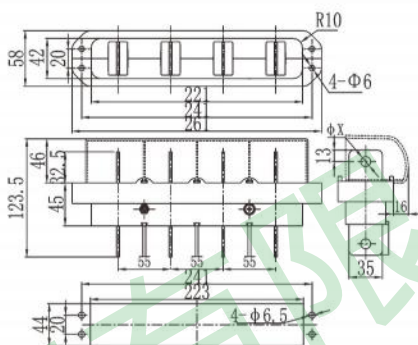
## CXT2 Fixed Type Condapter



CXT2-B-3-160A  
CXT2-B-3-250A  
CXT2-B-3-400A  
CXT2-B-3-630A



CXT2-B-4-160A  
CXT2-B-4-250A  
CXT2-B-4-400A  
CXT2-B-4-630A

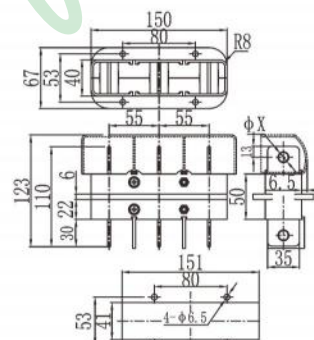


## CXT7型固定式转接件

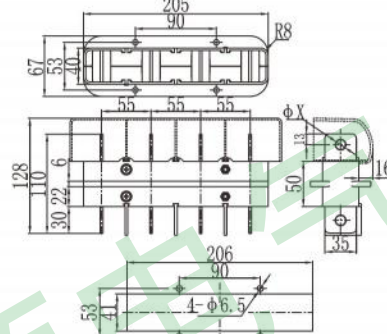
## CXT7 Fixed Type Condapter



CXT7-B-3-160A  
CXT7-B-3-250A  
CXT7-B-3-400A  
CXT7-B-3-630A



CXT7-B-4-160A  
CXT7-B-4-250A  
CXT7-B-4-400A  
CXT7-B-4-630A



## ■ 定货须知

## Order Instruction

定货时请注明型号、名称和规格；

订购附件时必须将附件型号（图号）、名称、规格和数量加以详细说明；

图示中接线铜排开孔大小ΦX值为160A时X=9，250A和400A时X=11，630A时X=12.5。

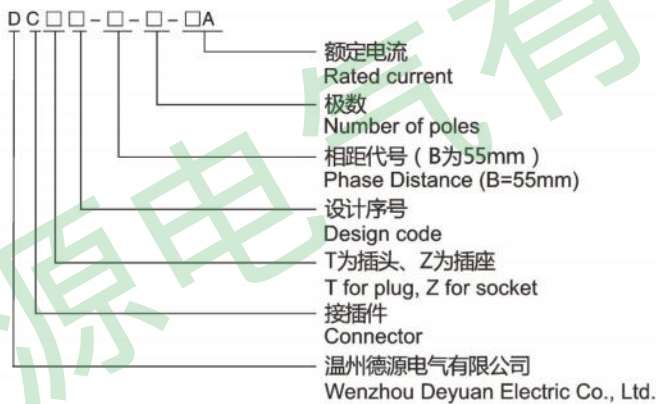
Please specify the model no., description, specification  
Please specify model no., description, specifications and  
quantity in details when ordering  
The wiring copper busbar hole size: 160A:X=9, 250A  
and 400A X=11, 630A x=12.5

## DC系列主电路接插件

### DC Series Main Circuit Connector

#### ■ 型号及含义

##### Type And Meaning



#### ■ 主要技术参数

##### Main Technical Parameters

额定电压：AC690V

额定电流：80A、125A、250A、400A、630A

额定绝缘电压：1000V

工频耐受电压：3500V

垂直母线相距：55mm

垂直母线厚度：6mm

Rated voltage: AC690V

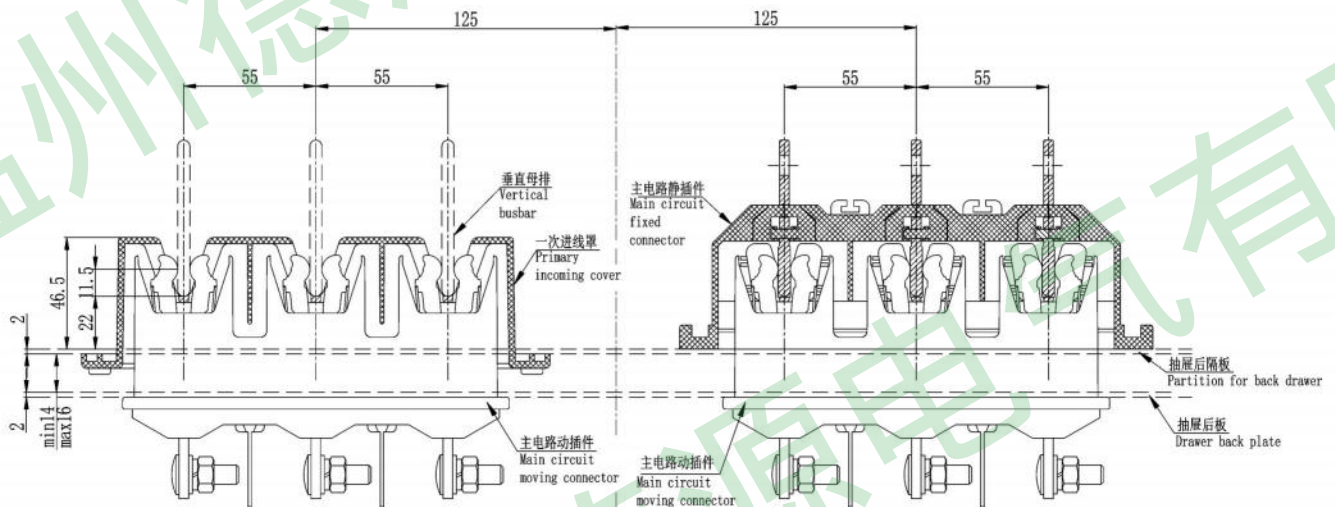
Rated current: 80A、125A、250A、400A、630A

Rated insulation voltage: 1000V

Power frequency withstand voltage: 3500V

Vertical busbar phase clearance: 55mm

Vertical busbar thickness: 6mm



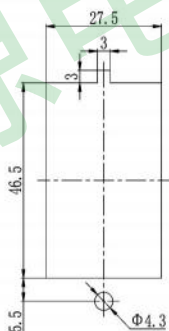
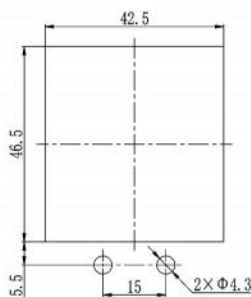
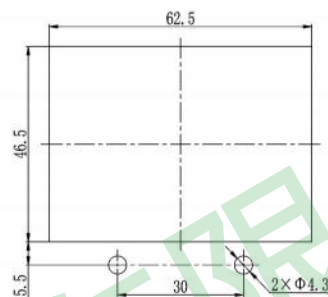
## ——经济型低压配电柜通用附件

## DCT1主电路动插件

## DCT1 Main Circuit Moving Connector

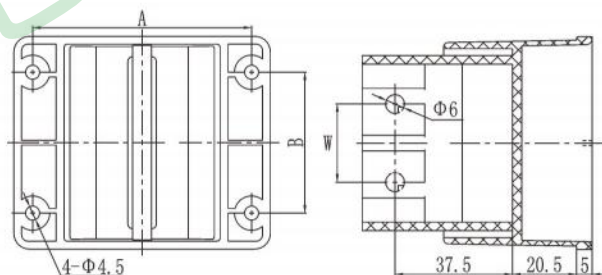


型号 Model No.	额定电流 Rated current
DCT1C-1-125A	125A
DCT1C-1-250A	250A
DCT1C-1-400A	400A
DCT1C-1-630A	630A

125-250A单极动插件开孔示意图  
1Pole moving connector hole size400A单极动插件开孔示意图  
1Pole moving connector hole size630A单极动插件开孔示意图  
1Pole moving connector hole size

## DCZ1主电路静插件

## DCZ1 Main Circuit Fixed Connector

DCZ1单极插座壳示意图  
DCZ1 single pole fixed socket

型号 Model No.	铜排规格 Copper bar size	开孔尺寸 Hole size	A	B	W	额定电流 Rated current	防护罩 Shields
DCZ1C-1-125A-ZT	4X20	58X39	70	25	0	125A	DCZ-1C.32003
DCZ1C-1-250A-ZT	6X20	58X39		25		250A	
DCZ1C-1-400A-ZT	6X30	58X49		30	400A	DCZ-1C.33004	
DCZ1C-1-630A-ZT	6X50	58X67		45	25	630A	DCZ-1C.34004

■ 订货须知：此型号不包含防护罩，如需加配请另外下单。

Note: this model does not contain a protective cover, if you need to add another order.

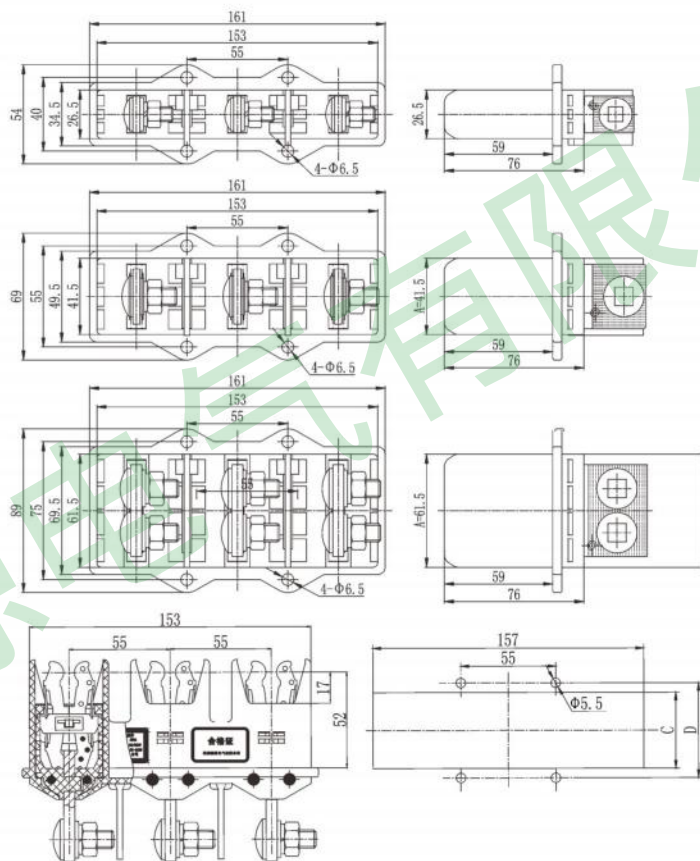
## DCT6C主电路动插件

### DCT6C Series Main Circuit Moving Connectors

#### 产品优点

##### Product Advantages

- ① 结构采用双夹头设计原理，产品接插可靠；
- ② 插片之间有凸点隔开不是直接叠加，增加了插片之间的表面积，散热效果更好；
- ③ 插头插座壳均开有通风孔便于散热，有效降低温升；
- ① Double chuck designing structure, which can ensure the plugins more reliable.
- ② The convex points between the inserts are not directly superimposed, which increases the surface area between the inserts and has better heat dissipation
- ③ The plug and socket housing is provided with ventilation slots for heat radiating, which effectively reduces the temperature rise;



### DCT6C三极动插件型号列表

#### DCT6C Series 3 Poles Moving Connectors

型号 Model No.	A	C	D	螺栓 Bolt	插片数 Inserts No.s
DCT6C-B-3-80A					1
DCT6C-B-3-125A	26.5	28	40	M8	2
DCT6C-B-3-160A					4
DCT62C-B-3-250A-II					6
DCT6C-B-3-250A	41.5	44	55	M10	6
DCT6C-B-3-400A					10
DCT6C-B-3-630	61.5	64	75		10

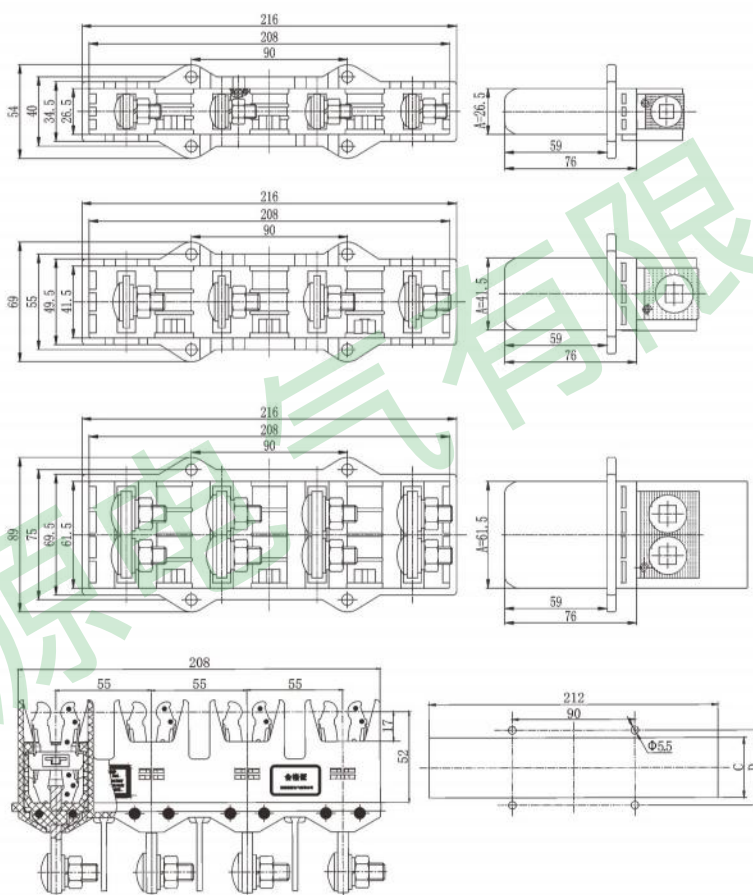
## DCT6C主电路动插件

### DCT6C Series Main Circuit Moving Connectors

#### 产品优点

##### Product Advantages

- ① 结构采用双夹头设计原理，产品接插可靠；
  - ② 插片之间有凸点隔开不是直接叠加，增加了插片之间的表面积，散热效果更好；
  - ③ 插头插座壳均开有通风孔便于散热，有效降低温升；
- ① Double chuck designing structure, which can ensure the plugins more reliable.
  - ② The convex points between the inserts are not directly superimposed, which increases the surface area between the inserts and has better heat dissipation
  - ③ The plug and socket housing is provided with ventilation slots for heat radiating, which effectively reduces the temperature rise;



#### DCT6C四极动插件型号列表

##### DCT6C Series 4 Poles Moving Connectors

型号 Model No.	A	C	D	螺栓 Bolt	插片数 Inserts No.s
DCT6C-B-4-80A					1
DCT6C-B-4-125A					2
DCT6C-B-4-160A	26.5	28	40	M8	
DCT62C-B-4-250A-II					4
DCT6C-B-4-250A					6
DCT6C-B-4-400A	41.5	44	55	M10	
DCT6C-B-4-630	61.5	64	75		10

## DCZ6主电路静插件

### DCZ6 Main Circuit Fixed Connectors

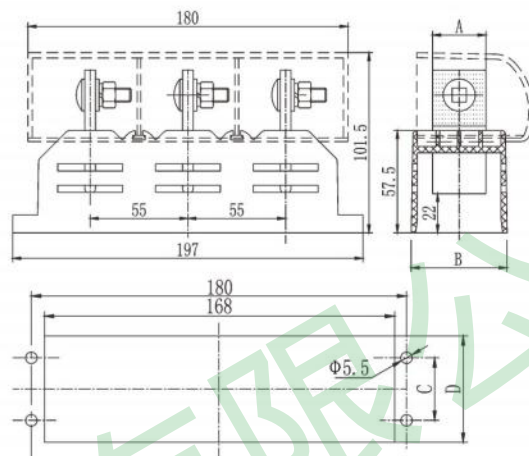


主电路静插件 (3极)  
 DCZ6 main circuit fixed connectors 3Poles

## 型号规格及外形尺寸

### Model No. And Specifications

型号 Model No.	A	B	C	D	螺栓 Bolt
DCZ6-B-3-80A	18				M8
DCZ62-B-3-125A-II	20	39	20	36	
DCZ62-B-3-160A-II	25				
DCZ6-B-3-125A	20				
DCZ6-B-3-160A	20	54	30	51	
DCZ6-B-3-250A	25				
DCZ6-B-3-400A	30				M10
DCZ6-B-3-630A	50	74	45	71	



外形及开孔尺寸  
 Overall and holing dimension

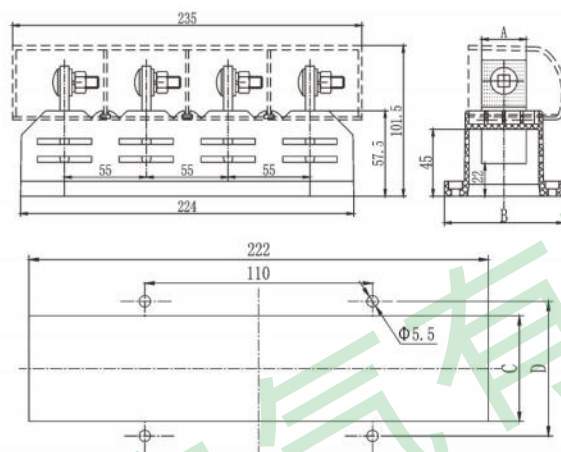


主电路静插件 (4极)  
 DCZ6 main circuit fixed connectors 4Poles

## 型号规格及外形尺寸

### Model No. And Specifications

型号 Model No.	A	B	C	D	螺栓 Bolt
DCZ6-B-4-80A	18				M8
DCZ6-B-4-125A	20	65	36	50	
DCZ6-B-4-160A	25				
DCZ62-B-4-250A-II	25				
DCZ6-B-4-250A	25	80	51	65	
DCZ6-B-4-400A	30				
DCZ6-B-4-630A	50	100	71	85	M10



外形及开孔尺寸  
 Overall and holing dimension

## DC系列插件定货须知

### DC Series Connectors Order Instruction

- 定货时请注明型号、名称和规格；
- 订购附件时必须将附件型号（图号）、名称、规格和数量加以详细说明；
- 如有其它特殊要求，可与我公司有关部门联系。
- Please specify model no., description and specification when ordering;
- when ordering accessories, please specify description, specifications and numbers
- Please feel free to contact us at any time.

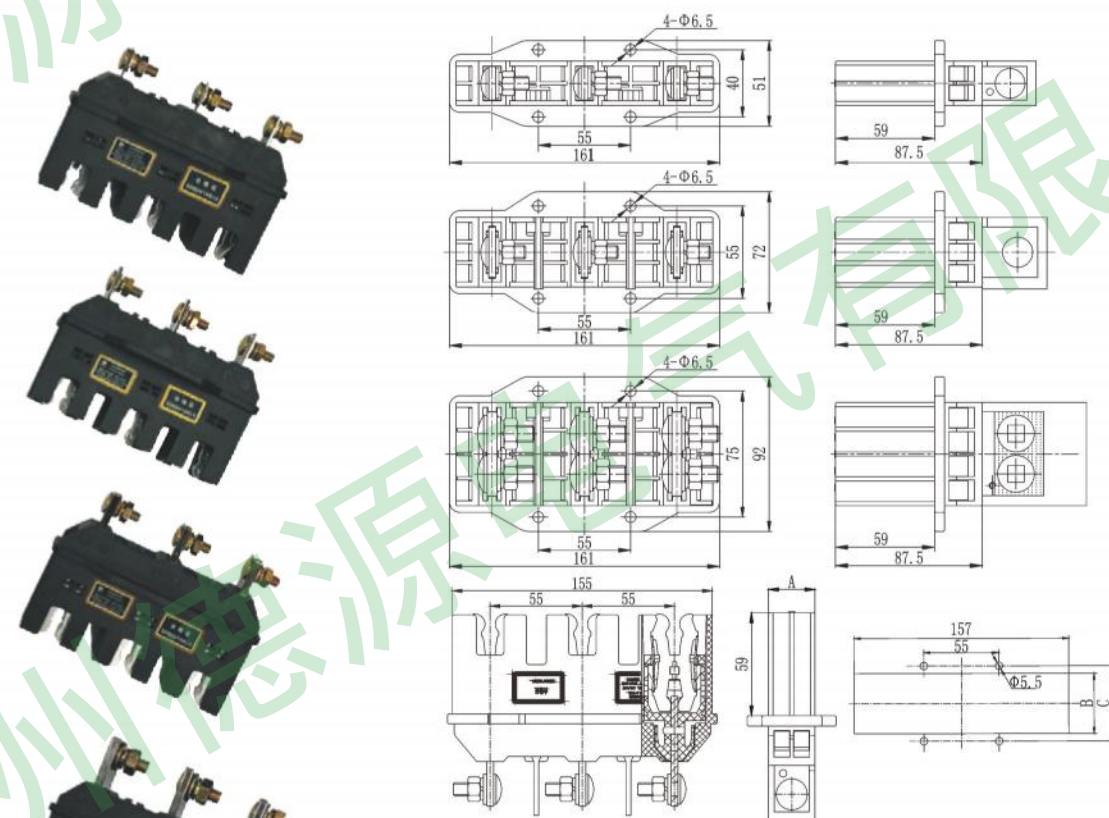
## DJZ型主电路动插件

### DJZ Series Main Circuit Moving Connectors

#### 产品优点

##### Product Advantages

- ① 结构采用双夹头设计原理，产品接插可靠；
- ② 插片之间有凸点隔开不是直接叠加，增加了插片之间的表面积，散热效果更好；
- ③ 插头插座壳均开有通风孔便于散热，有效降低温升；
- ④ 规格齐全，并从80A至400A可使用同一开孔尺寸，便于贵司通用标准化生产；
- ① Double chuck designing structure, which can ensure the plugins more reliable.
- ② The convex points between the inserts are not directly superimposed, which increases the surface area between the inserts and has better heat dissipation
- ③ The plug and socket housing is provided with ventilation slots for heat radiating, which effectively reduces the temperature rise;
- ④ Full range of specifications and the same hole size from 80A to 400A, which more easy for standard production;



#### DJZ6三极动插件型号列表

##### DJZ Series 3poles Main Circuit Moving Connectors

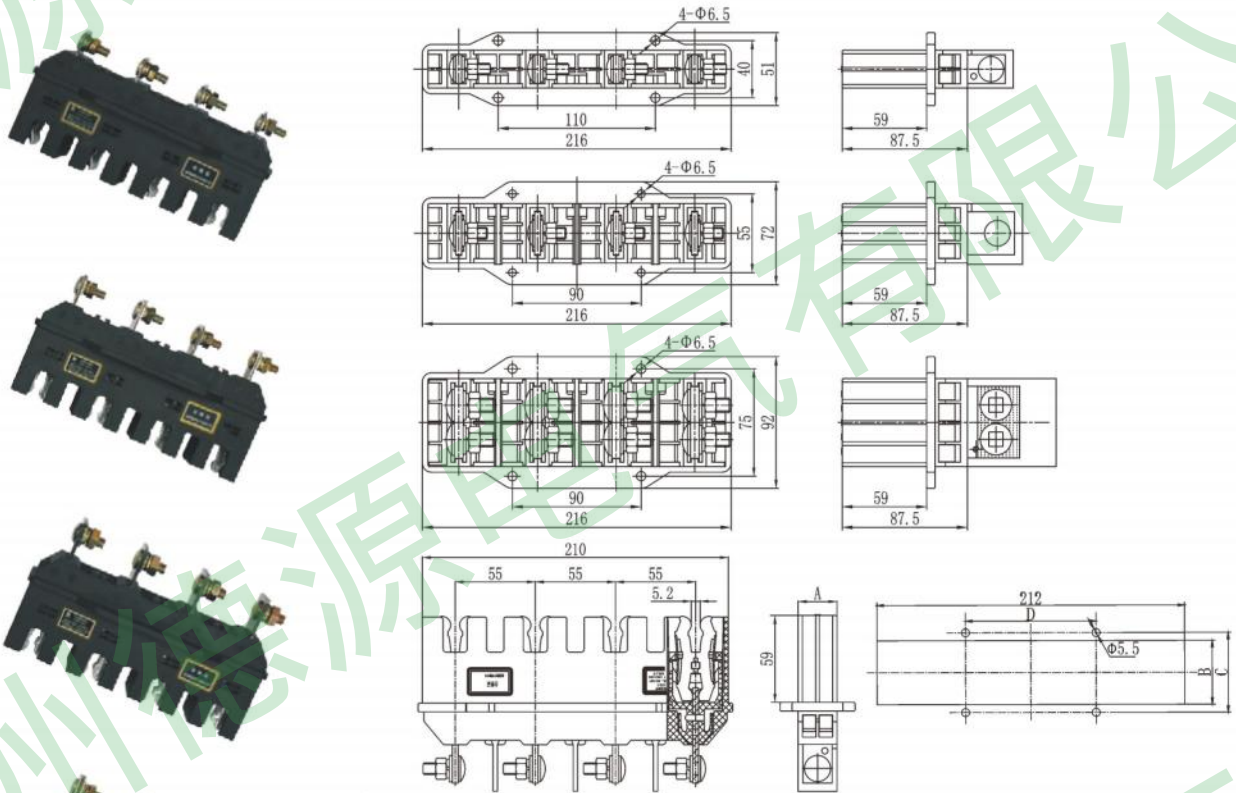
型号 Model No.	A	B	C	螺栓 Bolt	插片数 Inserts No.s
DJZ6-80A/3				M8	1
DJZ6-125A/3	41.5	44	55	M10	2
DJZ6-250A/3					4
DJZ6-400A/3					6
DJZ6-630A/3	61.5	64	75	M8	10
DJZ2-80A/3					1
DJZ2-125A/3	26.5	28	40		2
DJZ2-250A/3					4

注：配套DJZ6系列插件时,125A,250A,400A,一次进线罩统一用400A一次进线罩。  
Note:400A primary insert cover can be used for DJZ6 series connectors in 125A,250A,400A

## DJZ型主电路动插件 DJZ Series Main Circuit Moving Connectors

### 产品优点 Product Advantages

- ① 结构采用双夹头设计原理，产品接插可靠；
- ② 插片之间有凸点隔开不是直接叠加，增加了插片之间的表面积，散热效果更好；
- ③ 插头插座壳均开有通风孔便于散热，有效降低温升；
- ④ 规格齐全，并从80A至400A可使用同一开孔尺寸，便于贵司通用标准化生产；
- ① Double chuck designing structure, which can ensure the plugins more reliable.
- ② The convex points between the inserts are not directly superimposed, which increases the surface area between the inserts and has better heat dissipation
- ③ The plug and socket housing is provided with ventilation slots for heat radiating, which effectively reduces the temperature rise;
- ④ Full range of specifications and the same hole size from 80A to 400A, which more easy for standard production;



**DJZ6四极动插件型号列表**  
DJZ Series 4poles Main Circuit Moving Connectors

型号 Model No.	A	B	C	D	螺栓 Bolt	插片数 Inserts No.s
DJZ6-80A/4					M8	1
DJZ6-125A/4	41.5	44	55	90	M8	2
DJZ6-250A/4					M10	4
DJZ6-400A/4					M10	6
DJZ6-630A/4	61.5	64	75		M10	10
DJZ2-80A/4					M8	1
DJZ2-125A/4	26.5	28	40	110	M8	2
DJZ2-250A/4					M8	4

注：配套DJZ6系列插件时，125A, 250A, 400A，一次进线罩统一用400A一次进线罩。  
Note: 400A primary insert cover can be used for DJZ6 series connectors in 125A, 250A, 400A

## ——经济型低压配电柜通用附件

## DJT型主电路静插件

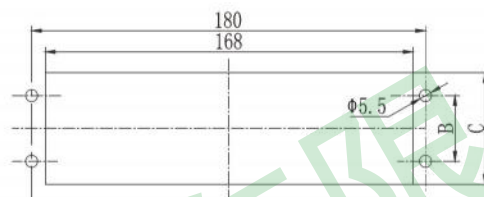
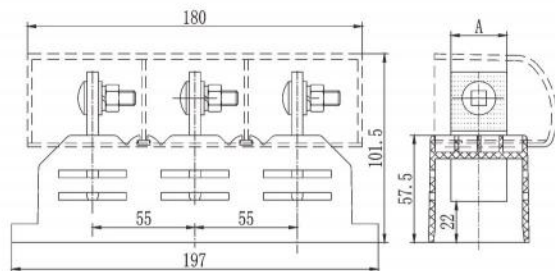
DJT Series Main Circuit Fixed Connectors



## 型号规格及外形尺寸

Model No. And Specifications

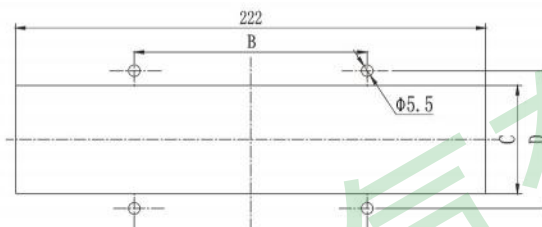
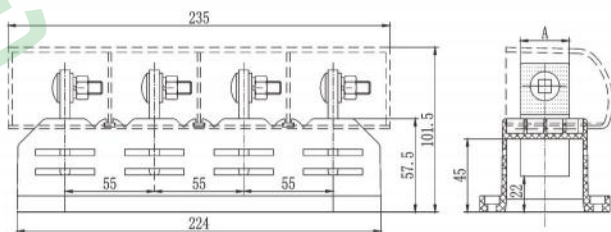
型号 Model No.	A	B	C	螺栓 Bolt
DJT1-80A/3	20	30	55	M8
DJT1-125A/3				M10
DJT1-250A/3				M10
DJT1-400A/3	30	45	74	M10
DJT1-630A/3	50			
DJT2-80A/3	18	20	39	M8
DJT2-125A/3	20			
DJT2-250A/3	24			

外形及开孔尺寸  
Overall and holing dimension

## 型号规格及外形尺寸

Model No. And Specifications

型号 Model No.	A	B	C	D	螺栓 Bolt
DJT1-80A/4	18	110	54	65	M8
DJT1-125A/4	20				
DJT1-250A/4	30				
DJT1-400A/4	30				
DJT1-630A/4	50	90	39	50	M8
DJT2-80A/4	18				
DJT2-125A/4	20	90	39	50	M8
DJT2-250A/4	24				

外形及开孔尺寸  
Overall and holing dimension

## ■ DJ系列插件定货须知

## DJ Series Connectors Order Instruction

- 定货时请注明型号、名称和规格；
- 订购附件时必须将附件型号（图号）、名称、规格和数量加以详细说明；
- 如有其它特殊要求，可与我公司有关部门联系。

- Please specify model no., description and specification when ordering;
- When ordering accessories, please specify description, specifications and numbers
- Please feel free to contact us at any time.

### 一次进线罩

#### Primary Incoming Cover



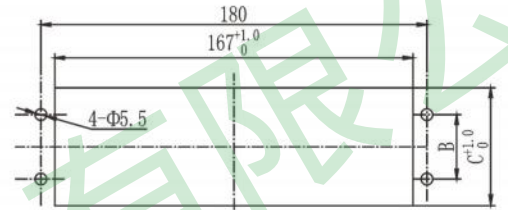
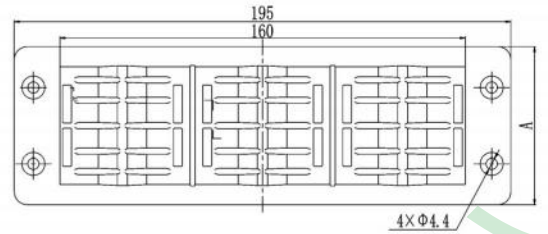
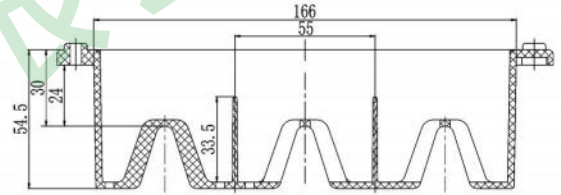
三极一次进线罩  
3Poles primary incoming cover

### 三极一次进线罩型号及开孔列表

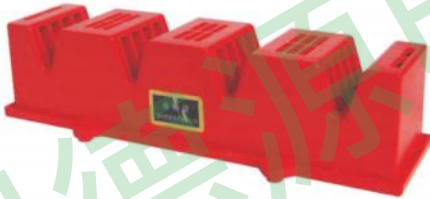
#### 3Poles Primary Incoming Cover Models And Hole Lists

型号 Model No.	A	B	C
DJXZ6-B-3-80A			
DJXZ62-B-3-125A-II	43	20	36
DJXZ62-B-3-250A-II			
DJXZ6-B-3-125,400A			
DJXZ6-B-3-250A	62	30	55
DJXZ6-B-3-630A	81	45	74

DCT6C系列动插件250A插件进线罩不与400A通用  
Different types incoming covers for DCT6C series moving connectors in 250A and 400A



外形尺寸  
Outline Size



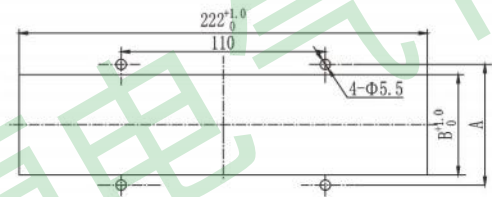
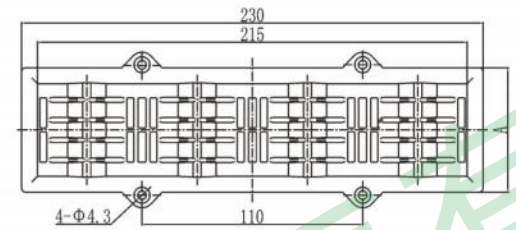
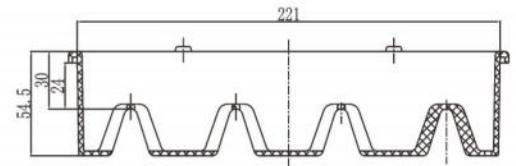
四极一次进线罩  
4Poles primary incoming cover

### 四极一次进线罩型号及开孔列表

#### 4Poles Primary Incoming Cover Models And Hole Lists

型号 Model No.	A	B
DJXZ6-B-4-80A		
DJXZ62-B-4-125A-II	50	36
DJXZ62-B-4-250A-II		
DJXZ6-B-4-125,400A		
DJXZ6-B-4-250A	65	54
DJXZ6-B-4-630A	85	74

DCT6C系列动插件250A插件进线罩不与400A通用  
Different types incoming covers for DCT6C series moving connectors in 250A and 400A



外形尺寸  
Outline Size

## DCT(Z)7平置式一次接插件 DCT(Z)7 Flat Type Primary Connectors

### 主要技术参数

#### Main Technical Data

额定电压：AC690V

额定电流：80A、125A、250A、400A、630A

额定绝缘电压：1000V

工频耐受电压：3500V

垂直母线相距：55mm

垂直母线厚度：6mm

Rated voltage: AC690V

Rated current: 80A、25A、250A、400A、630A

Rated insulation voltage: 1000V

Power frequency withstand voltage: 3500V

Vertical busbar phase clearance: 55mm

Vertical busbar thickness: 6mm

### 型号及含义

#### Type And Meaning

DC□□-□-□□A

额定电流 Rated current

极数 Number of poles

相距代号 (B为55mm) Phase clearance code (B is 55mm)

设计序号 Design code

T为插头、Z为插座 T for plug, Z for socket

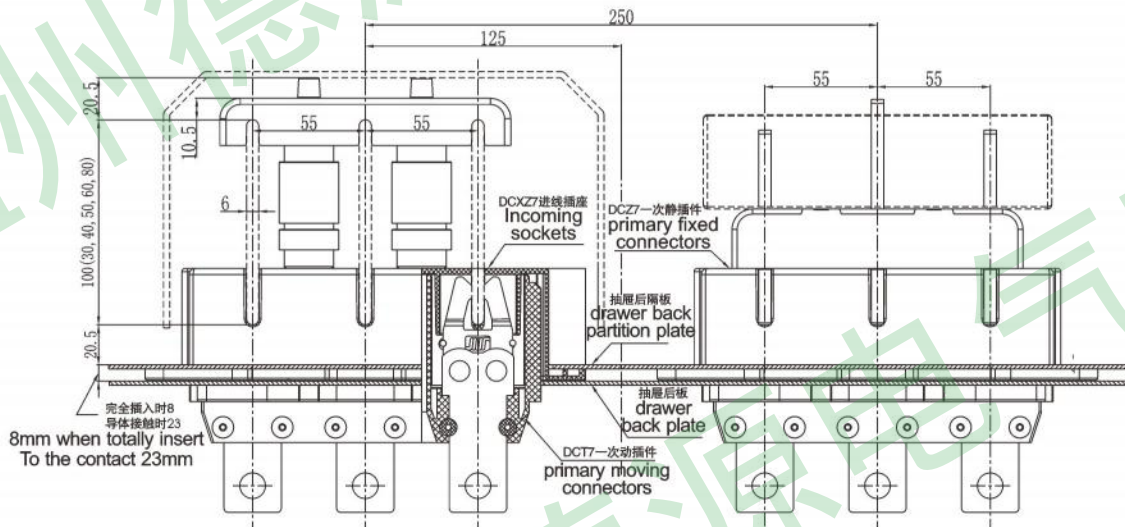
接插件 Connector

温州德源电气有限公司 Wenzhou Deyuan Electric Co., Ltd.

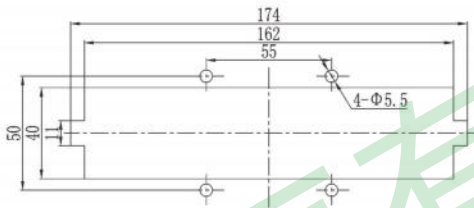
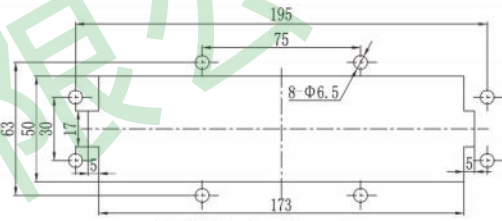
### 产品优点

#### Product Advantages

- ① 采用U型片状弹簧触头的插接质量更加可靠。
  - ② 动静插件有导向使插件接插更容易保证。
  - ③ 125A-630A动插件的开孔尺寸统一,且静插件,一次进线罩,汇流排夹开孔也一致,便于钣金的通用化生产。
  - ④ 采用方颈螺钉的平置式接线方式便于采用电动工具锁紧,提高工作效率
- ① U type spring contact can ensure the plugins more reliable.
  - ② Guide part on the moving and fixed plugins make connection more easily.
  - ③ Hole size for 125A to 630A moving plugins hole size are the same, also including fixed connector, primary cover.
  - ④ Motor tools can be used for assemble, which improve the working efficiency



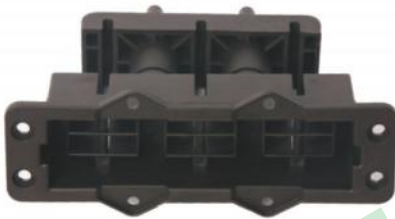
DCT(Z)7平置式一次插件安装示意图  
DCT(Z)7 Flat type primary connectors


 DCT7动插件开孔图  
 moving plug hole dimension

 开孔图 hole dimension  
 ( DJXZ7一次进线罩 Primary incoming cover )  
 ( DCXZ7 汇流排夹 busbar holder )  
 ( DCZ7一次静插件 Primary fixed connectors )

 DJXZ7 型一次进线罩  
 ( DJXZ7-7.3001 )  
 DJXZ7 Primary incoming cover

### 一次进线罩型号 Primary Incoming Cover

订货型号 Order Model No.	代号 Code	电流等级 Current ratio
DJXZ7-B-3-125-630A	DXCZ-7.3001	125-630A通用 common use for 125A-630A


 DXCZ7型汇流排夹  
 DXCZ7 Series busbar holder

### 汇流排夹型号列表 Busbar Holder Lists

订货型号 Order Model No.	代号 Code	母线规格 Busbar size
DXCZ7-B-3-6X30	DXCZ-7.30	6X30
DXCZ7-B-3-6X40	DXCZ-7.31	6X40
DXCZ7-B-3-6X50	DXCZ-7.32	6X50
DXCZ7-B-3-6X60	DXCZ-7.33	6X60
DXCZ7-B-3-6X80	DXCZ-7.34	6X80
DXCZ7-B-3-6X100	DXCZ-7.35	6X100


 DCT7型一次动插件  
 DCT7 Series Primary moving connectors

### 一次动插件型号列表 Primary Moving Plugins

订货型号 Order Model No.	代号 Code	电流等级 Current ratio
DCT7-B-3-125A	DCT-7.31	125A
DCT7-B-3-160A	DCT-7.32	160A
DCT7-B-3-250A	DCT-7.33	250A
DCT7-B-3-400A	DCT-7.34	400A
DCT7-B-3-630A	DCT-7.35	630A


 DCZ7型一次静插件  
 DCZ7 Series Primary fixed connectors

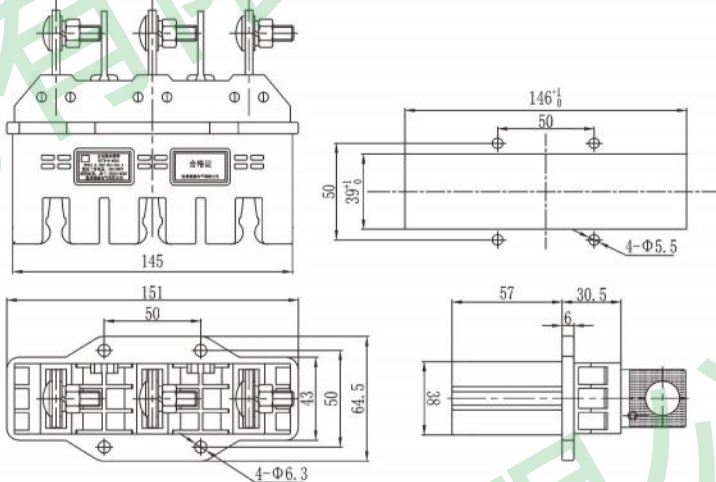
### 一次静插件型号列表 Primary Moving Plugins

订货型号 Order Model No.	代号 Code	电流等级 Current ratio
DCZ7-B-3-125A	DCZ-7.31	125
DCZ7-B-3-160A	DCZ-7.32	160
DCZ7-B-3-250A	DCZ-7.33	250
DCZ7-B-3-400A	DCZ-7.34	400
DCZ7-B-3-630A	DCZ-7.35	630

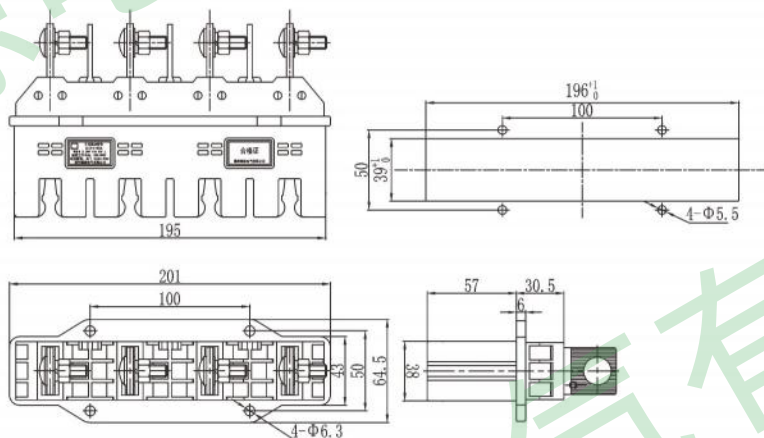
## ——经济型低压配电柜通用附件

**DCT9型主电路动插件****DCT9 Primary Main Circuit Moving Connectors**

- 此系列产品用于50相距母排，母排5mm厚。
- These series connectors are mainly used for busbar phase distance 50mm, thickness 5mm

**50相距一次动插件3极型号列表****Distance 50mm 3 Poles Primary Moving Connectors**

型号 Model No.	型号(带测温) Model No.(with thermometry)	电流等级 Current level
DCT9-3-125A	DCT9C-3-125A	125A
DCT9-3-250A	DCT9C-3-250A	250A
DCT9-3-400A	DCT9C-3-400A	400A

**50相距一次动插件4极型号列表****Distance 50mm 4poles Primary Moving Connectors**

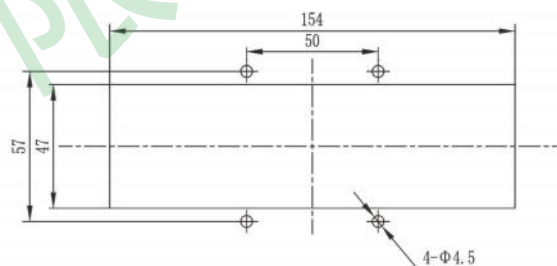
型号 Model No.	型号(带测温) Model No.(with thermometry)	电流等级 Current level
DCT9-4-125A	DCT9C-4-125A	125A
DCT9-4-250A	DCT9C-4-250A	250A
DCT9-4-400A	DCT9C-4-400A	400A

### 50相距三极静插座

Distance 50MM 3 Poles Fixed Socket



三极静插座  
3 Poles fixed socket



50相距三极静插座开孔示意图  
Distance 50MM 3 Poles fixed socket dimension

### 50相距三(四)极静插座型号列表

Distance 50MM 3(4)Poles Fixed Socket Product List

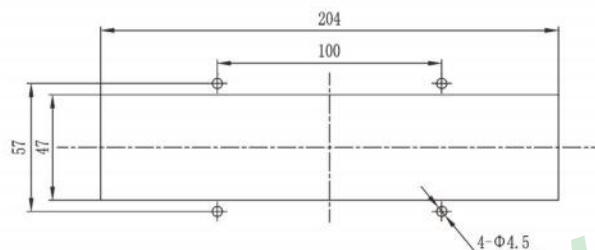
名称 Description	代号 Code	备注 Remark
250A三极静插座 250A 3 Poles fixed socket	5DY 573 007.2	相距50mm,250A×3极 Phase distance 50mm,250A×3 Poles
400A三极静插座 400A 3 Poles fixed socket	5DY 573 008.2	相距50mm,400A×3极 Phase distance 50mm,400A×3 Poles

### 50相距四极静插座

Pistance 50MM 4 Poles Fixed Socket



四极静插座  
4 Poles fixed socket



50相距四极静插座开孔示意图  
Distance 50MM 4 Poles fixed socket dimension

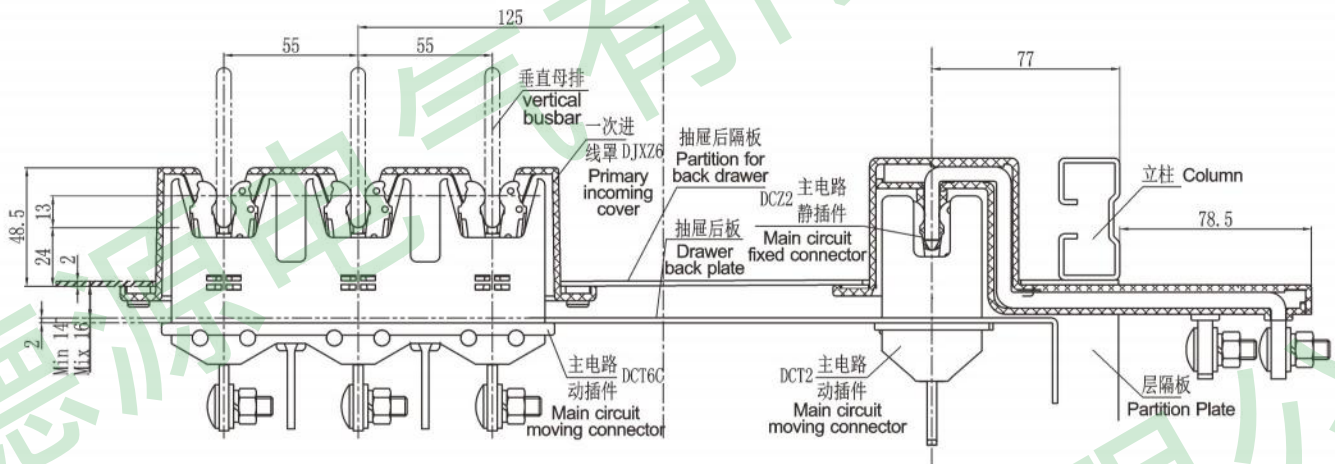
### 50相距四极静插座型号列表

Distance 50MM 4 Poles Fixed Socket Product List

名称 Description	代号 Code	备注 Remark
250A四极静插座 250A 4 Poles fixed socket	5DY 573 007.1	相距50mm,250A×4极 Phase distance 50mm,250A×4 Poles
400A四极静插座 400A 4 Poles fixed socket	5DY 573 008.1	相距50mm,400A×4极 Phase distance 50mm,400A×4 Poles

## DCT(Z)2型主电路接插件(侧出)

### DCT(Z)2 Series Main Circuit Moving Connectors (Side Wiring)



侧出线安装示意图  
Side Wiring Assembly Drawings

#### ■ 产品特点

##### Product Advantages

DCT2系列主电路接插件是我公司开发用于经济型侧出线方案的一次接插件,作为单一回路出线用。可以与DCT6C系列接插件配套使用,用于经济型55mm相距的侧出线方案抽屉。也可以与DCT9系列接插件配套使用,用于半块功能板方案的侧出线方案。

- 插件的插片结构采用双夹头设计原理,卡扣等零件采用进口不锈钢材料隔磁,减少因涡流引起的温升。
- 插片之间有凸点隔开,而不是直接的叠加,增加了插片之间的散热表面积,散热和导电效果更好。
- 插片与铜排接触位置对应的插头壳位置有开通风孔,便于散热降低温升。
- 125A~250A外形开孔一致,400A~630A外形开孔一致。
- 插件的电流规格为125A、250A、400A、630A。可适用于最小模数为H=150mm的6E抽屉实现经济型抽屉150mm高抽屉的侧出,替代GCS的侧出方案。

DCT2 series main circuit connector is a primary connector developed by us for the economical side outgoing wiring, used as a single circuit outgoing.

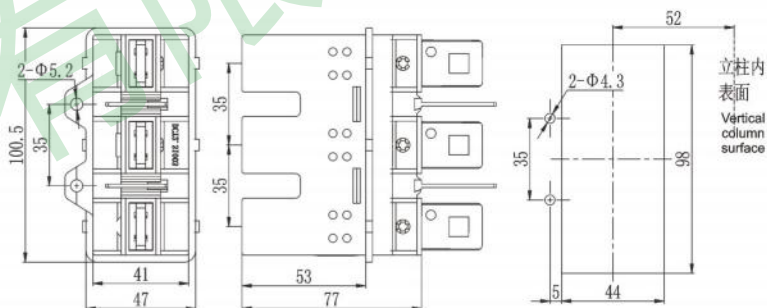
It can be used with DCT6C series connectors, used as side outgoing drawer distance 55mm drawer, or it can be used with DCT9 series connectors for the side wiring of half functional board solutions.

- Double chuck designing structure, which can ensure the plugins more reliable.
- The convex points between the inserts are not directly superimposed, which increases the surface area between the inserts and has better heat dissipation effect
- The plug and socket housing is provided with ventilation slots for heat radiating, which effectively reduces the temperature rise;
- 125A to 250A hole size are the same, 400A to 630A hole size are the same.
- Current level for connectors are 125A, 250A, 400A and 630A, which can be used in 6E drawer H=150mm to realize the side outgoing wire solution. For replacement of GCS side wiring.

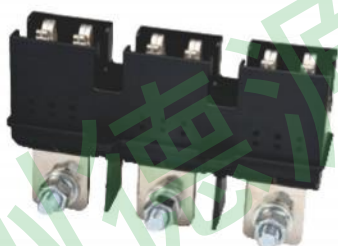
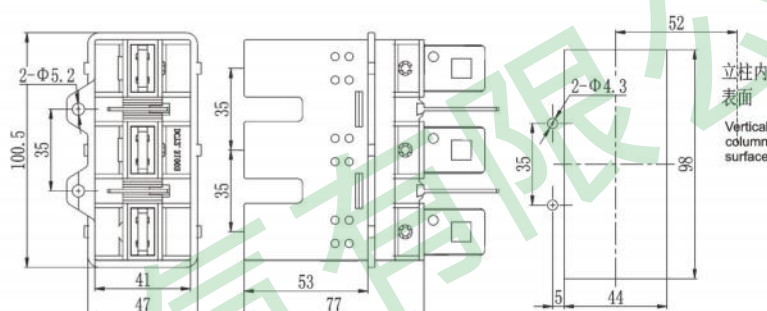
**DCT2型主电路接插件(侧出)**  
DCT2 Series Main Circuit Connectors(Side Wiring)



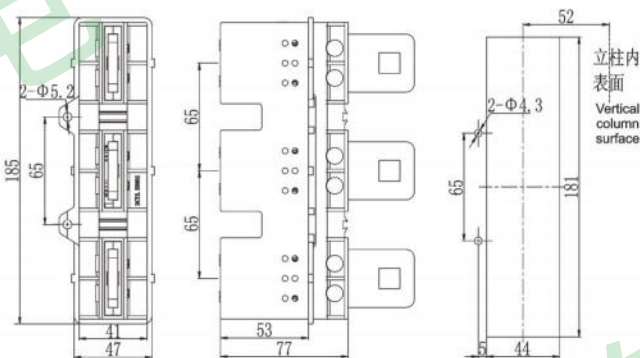
DCT2-B-3-125 125A侧出动插件  
DCT2-B-3-125 125A Side wiring moving connectors



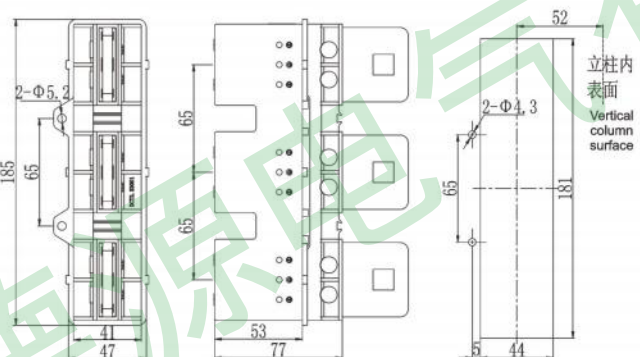
DCT2-B-3-250A 250A侧出动插件  
DCT2-B-3-250 250A Side wiring moving connectors



DCT2-B-3-400A 400A侧出动插件  
DCT2-B-3-400 400A Side wiring moving connectors



DCT2-B-3-630A 630A侧出动插件  
DCT2-B-3-630 630A Side wiring moving connectors



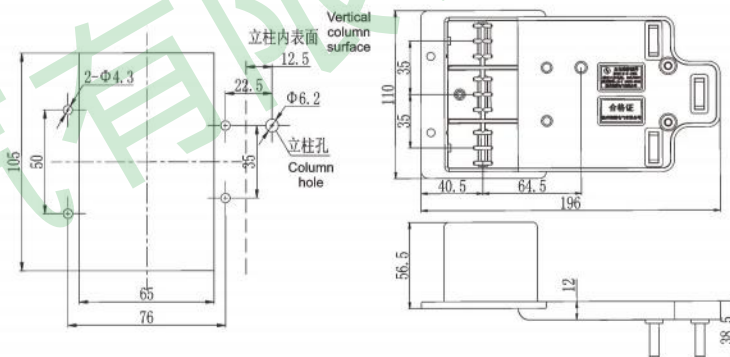
——经济型低压配电柜通用附件

**DCZ2型主电路接插件(侧出)**

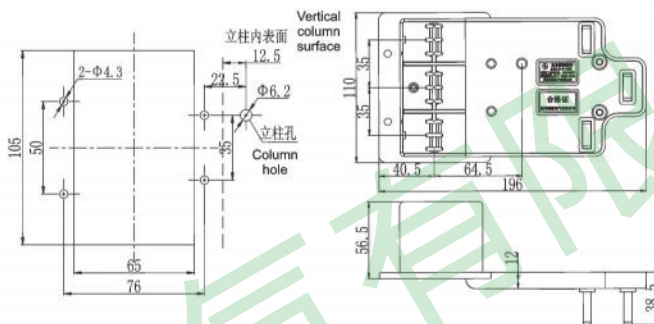
**DCZ2 Series Main Circuit Connectors(Side Wiring)**



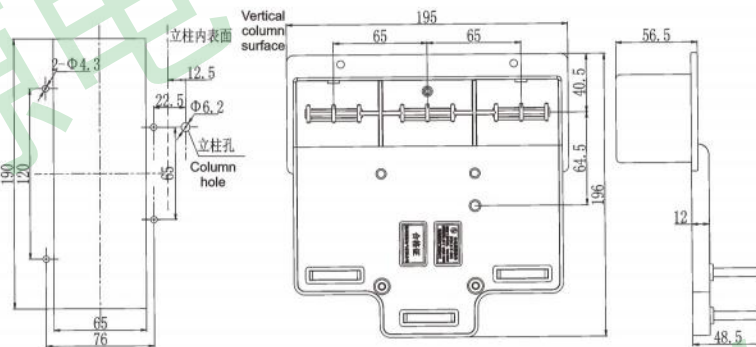
DCZ2-B-3-125A 125A侧出静插件  
DCZ2-B-3-125 125A Side wiring fixed connectors



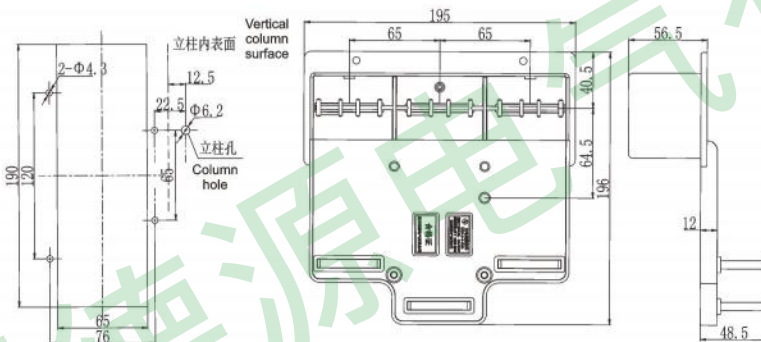
DCZ2-B-3-250A 250A侧出静插件  
DCZ2-B-3-250 250A Side wiring fixed connectors



DCZ2-B-3-400A 400A侧出静插件  
DCZ2-B-3-400 400A Side wiring fixed connectors



DCZ2-B-3-630A 630A侧出静插件  
DCZ2-B-3-630 630A Side wiring fixed connectors

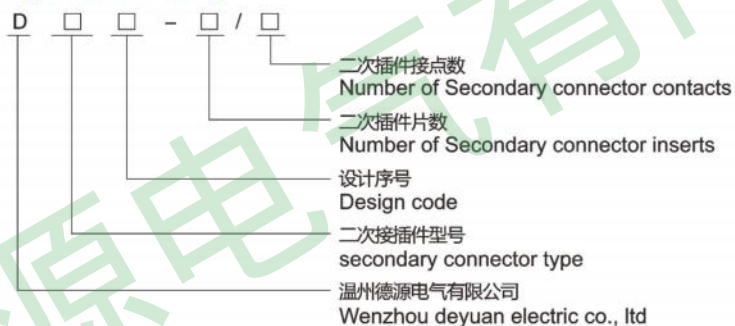


## 二次接插件

### Secondary Connector

#### ■ 型号及含义

##### Type And Meaning



#### ■ 主要电气参数

##### Main Technical Data

交流220V(380V), 直流110V.

额定电流10A

AC220V(380V), DC110V

Rated current 10A

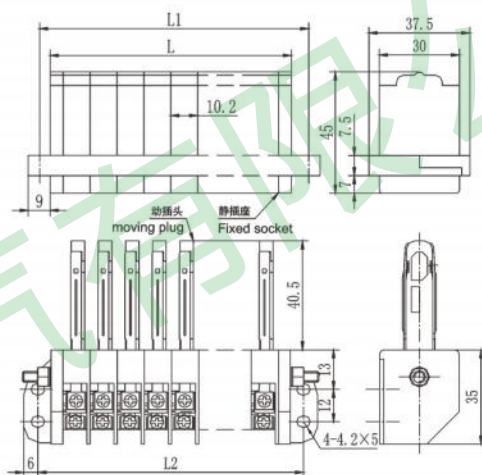
## DJCF型二次接插件

### DJCF Series Secondary Connector

#### ■ DJCF7



DJCF7二次接插件  
DJCF7 series Secondary connector

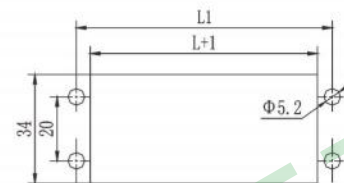


DJCF7二次接插件外形尺寸  
DJCF7 series Secondary connector dimensions

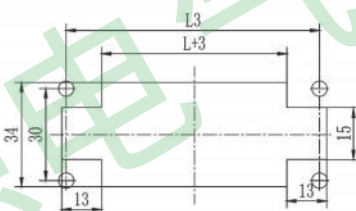
## DJCF型插件外形及开孔尺寸列表

### DJCF Series Fixed Connector Socket Dimension And Hole Size

型号及规格 Model no. and specification	L	L1	L2	L3
DJCF-5/10	60	70	69.5	83
DJCF-6/12	70	80	80	93.5
DJCF-8/16	90	100	100	113.5
DJCF-10/20	112	120	120	134
DJCF-11/22	122	130	130	144.5
DJCF-12/24	132	140	140	154.5



DJCF型静插座开孔尺寸  
DJCF7 series Secondary connector dimensions



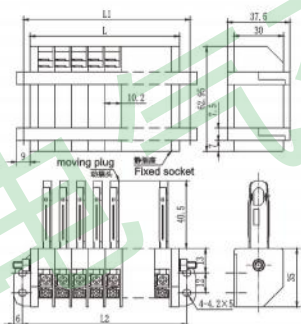
DJCF8.1,9.1,10.1型动插头开孔尺寸  
DJCF8.1,9.1,10.1 series moving plug dimensions

——经济型低压配电柜通用附件

**DJCF型二次接插件**

**DJCF Series Secondary Connector**

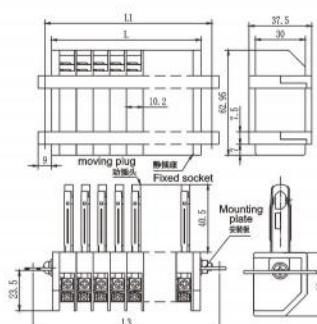
**DJCF8**



DJCF8二次接插件  
DJCF8 series  
Secondary connector

DJCF8二次接插件外形尺寸  
DJCF8 series Secondary  
connector dimensions

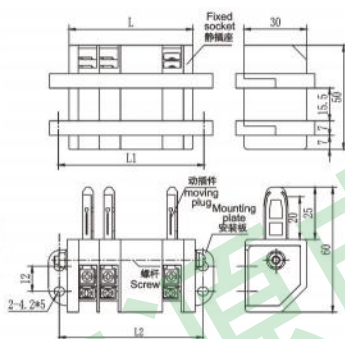
**DJCF8.1**



DJCF8.1二次接插件  
DJCF8.1 series  
Secondary connector

DJCF8二次接插件外形尺寸  
DJCF8 series Secondary  
connector dimensions

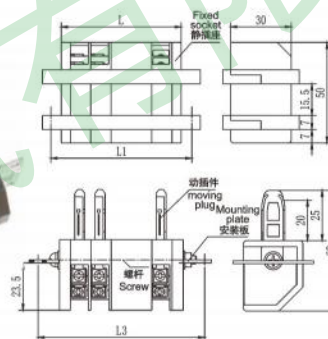
**DJCF9**



DJCF9二次接插件  
DJCF9 series  
Secondary connector

DJCF9二次接插件外形尺寸  
DJCF9 series Secondary  
connector dimensions

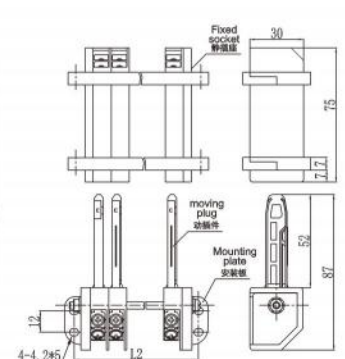
**DJCF9.1**



DJCF9.1二次接插件  
DJCF9.1 series  
Secondary connector

DJCF9.1二次接插件外形尺寸  
DJCF9.1 series Secondary  
connector dimensions

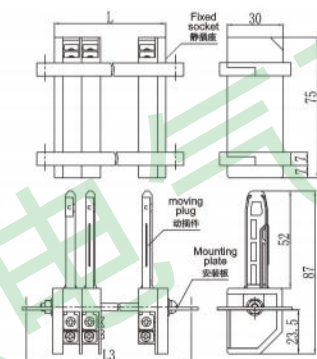
**DJCF10**



DJCF10二次接插件  
DJCF10 series  
Secondary connector

DJCF10二次接插件外型尺寸  
DJCF10 series Secondary  
connector dimensions

**DJCF10.1**

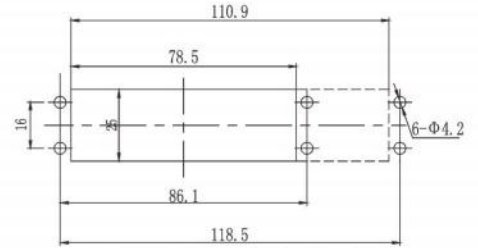
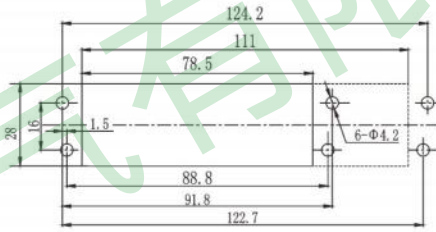


DJCF10.1二次接插件  
DJCF10.1 series  
Secondary connector

DJCF10.1二次接插件外型尺寸  
DJCF10.1 series Secondary  
connector dimensions

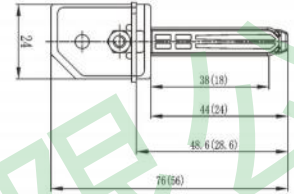
## DJCF型二次接插件

### DJCF Series Secondary Connector



规格 Specification	二次插头 secondary connector plug	二次插座 secondary connector socket
DJCF5型16线	DJCF5.31/8(16线)	DJCF5.33/8(16线)
DJCF5型24线	DJCF5.31/12(24线)	DJCF5.33/12(24线)
DJCF3型16线	DJCF3.31/8(16线)	DJCF5.33/8(16线)
DJCF3型24线	DJCF3.31/12(24线)	DJCF5.33/12(24线)

注:二次插座通用  
Note: Secondary connector sockets are the same one.



## DJCF2型二次接插件(侧出)

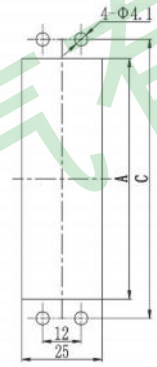
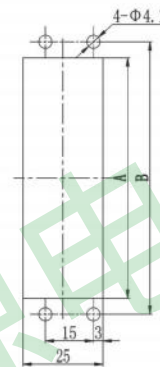
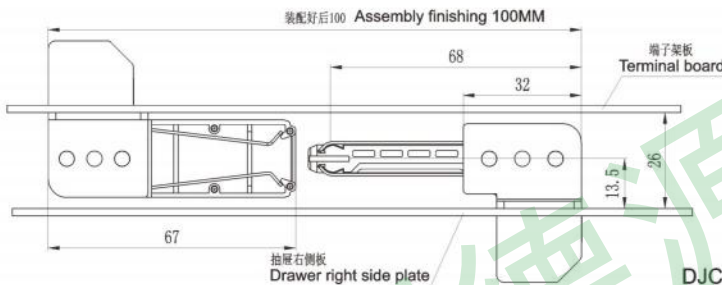
### DJCF2 Series Secondary Connector(Side Wiring)



DJCF2系列二次接插件是专用于经济型侧出线方案的二次，可以替代B8E-S8E使用，具有三位置功能并可按要求加装实验端子。

DJCF2 series secondary connector is designed for economical side outgoing scheme, which can replace B8E-S8E, with three position function and terminals can be added also.

型号规格 Model and specification	A	B	C
DJCF2-6/12	58.8	68.8	70.6
DJCF2-8/16	75	85	86.8
DJCF2-12/24	107.4	117.4	119.2
DJCF2-15/30	131.7	141.7	143.5
DJCF2-16/32	139.8	149.8	151.6

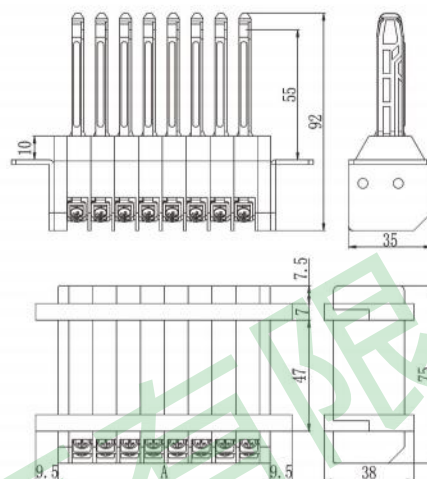
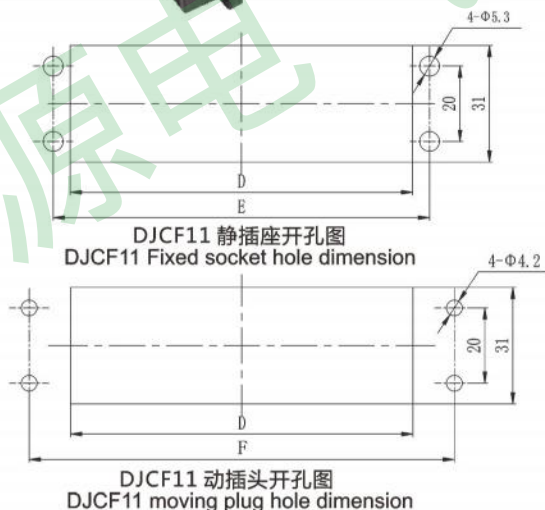


### DJCF11型二次接插件

DJCF11 Series Secondary Connector



型号规格 Model and specification	A	D	E	F
DJCF11-5/10	60	61	70	83
DJCF11-6/12	70	71	80	93
DJCF11-8/16	90	91	100	113
DJCF11-10/20	110	111	120	133
DJCF11-11/22	120	121	130	143
DJCF11-12/24	130	131	140	153



### DRC型二次接插件

DRC Series Secondary Connector

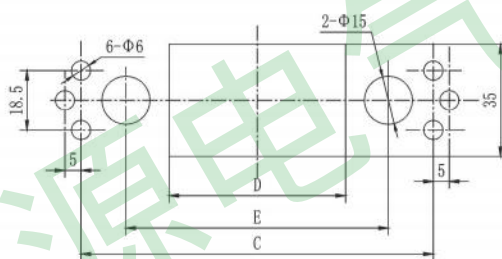
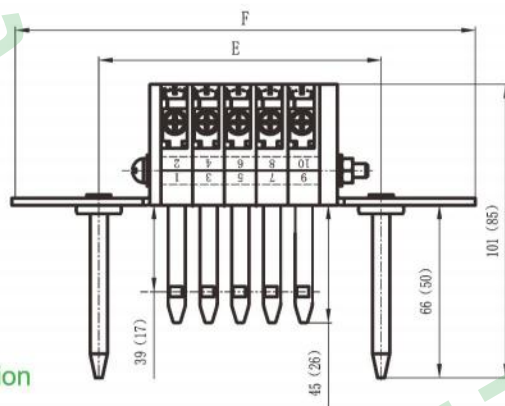


DRC2二次接插件  
DRC2 series secondary connector

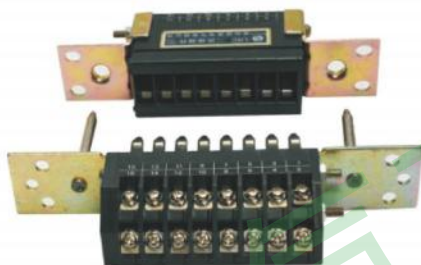
### DRC2 (DRC6) 插头外形及安装尺寸列表

DRC2(DRC6) Secondary Plug Outline And Assemble Dimension

型号及规格 Model no. and specification	C	D	E	F
DRC2(T)-5/10				
DRC6(T)-5/10	110.3	55.4	82.1	130.1
DRC2(T)-8/16	137.7	83	109.7	157.7
DRC6(T)-8/16				
DRC2(T)-10/20	156.1	101.4	128.1	176.1
DRC6(T)-10/20				
DRC2(T)-12/24	174.5	119.8	146.5	194.5
DRC6(T)-12/24				
DRC2(T)-15/30	202.1	147.4	174.1	222.1
DRC6(T)-15/30				
DRC2(T)-16/32	211.3	156.6	183.3	231.3
DRC6(T)-16/32				



DRC2 (DRC6) 插头外形及安装尺寸图  
DRC2(DRC6) secondary plug outline and assemble dimension

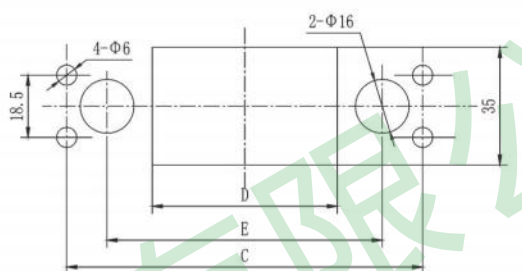
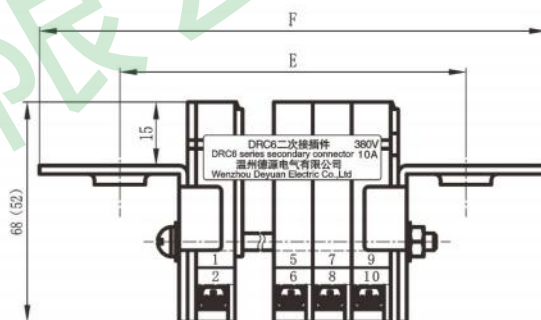


DRC6二次接插件  
DRC6 series secondary connector

### DRC2 (DRC6) 插座外形及安装尺寸列表

#### DRC2(DRC6) Secondary Socket Outline And Assemble Dimension

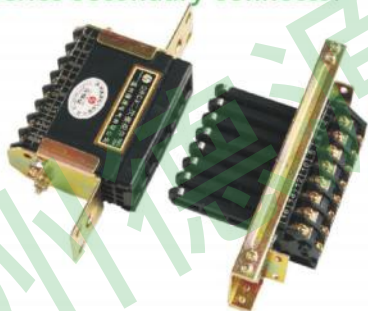
型号及规格 Model no. and specification	C	D	E	F
DRC2(Z)-5/10	104	55.4	82	121.3
DRC6(Z)-5/10				
DRC2(Z)-8/16	131.6	83	109.6	148.9
DRC6(Z)-8/16				
DRC2(Z)-10/20	150	101.4	128	167.3
DRC6(Z)-10/20				
DRC2(Z)-12/24	168.4	119.8	146.4	185.7
DRC6(Z)-12/24				
DRC2(Z)-15/30	196	147.4	174	213.3
DRC6(Z)-15/30				
DRC2(Z)-16/32	205.2	156.6	183.2	222.5
DRC6(Z)-16/32				



DRC2 ( DRC6 ) 插座外形及安装尺寸图  
DRC2(DRC6) secondary socket outline and assemble dimension

### DRC型二次接插件

#### DRC Series Secondary Connector

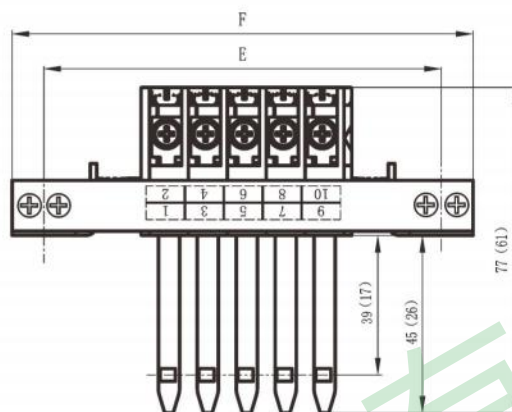


DRC3二次接插件  
DRC3 series secondary connector

### DRC3(DRC5)插头外形及安装尺寸列表

#### DRC3(DRC5) Secondary Plug Outline And Assemble Dimension

型号及规格 Model no. and specification	D	E	F
DRC3(T)-5/10	60	94	109
DRC5(T)-5/10			
DRC3(T)-8/16	91	125	140
DRC5(T)-8/16			
DRC3(T)-10/20	110	144	159
DRC5(T)-10/20			
DRC3(T)-15/30	156	190	205
DRC5(T)-15/30			

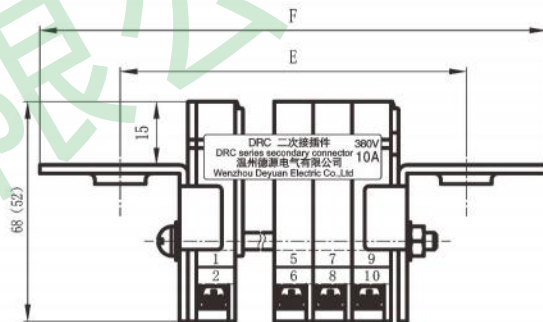


DRC3 ( DRC5 ) 插头外形及安装尺寸图  
( 标注处括号内为DRC5插头外形尺寸 )  
DRC3(DRC5) secondary plug outline and assemble dimension  
Data in bracket is for DRC5 dimension.

——经济型低压配电柜通用附件



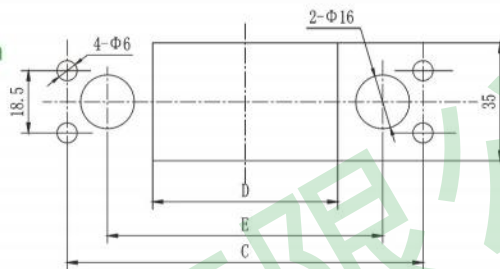
DRC5二次接插件  
DRC5 series secondary connector



DRC3(DRC5)插座外形及安装尺寸列表

DRC3(DRC5) Secondary Socket Outline And Assemble Dimension

型号及规格 Model no. and specification	C	D	E	F
DRC3(Z)-5/10	106	55	82	120
DRC5(Z)-5/10	106	55	82	120
DRC3(Z)-8/16	133.5	82.5	109.5	147.5
DRC5(Z)-8/16	133.5	82.5	109.5	147.5
DRC3(Z)-10/20	152	101	128	166
DRC5(Z)-10/20	152	101	128	166
DRC3(Z)-15/30	198	147	174	212
DRC5(Z)-15/30	198	147	174	212

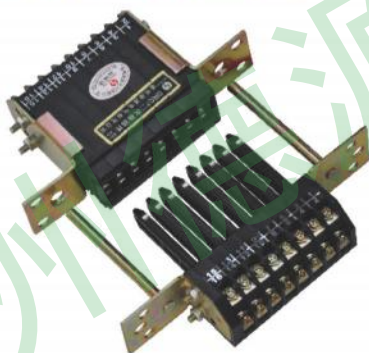


DRC3(DRC5)插座外形及安装尺寸图  
同DRC2、DRC6开孔

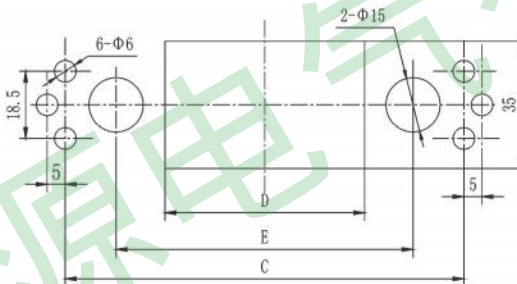
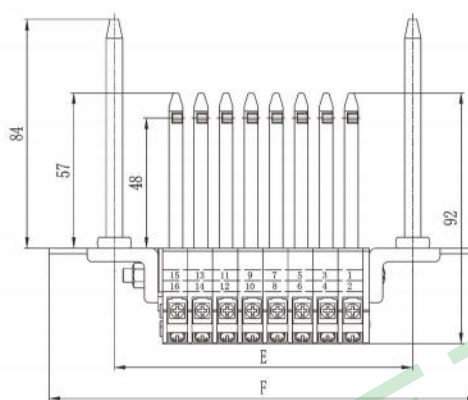
DRC3(DRC5) secondary socket outline and assemble dimension

DRC型二次接插件

DRC Series Secondary Connector



DRC7二次接插件  
DRC7 series secondary connector



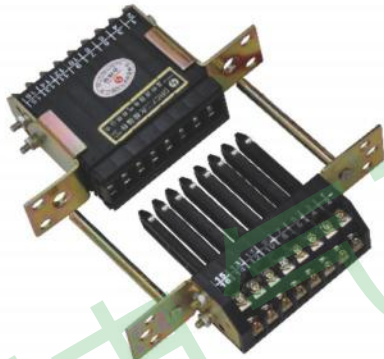
DRC7插头外形及安装尺寸图

DRC7 secondary plug outline and assemble dimension

DRC7插头外形及安装尺寸列表

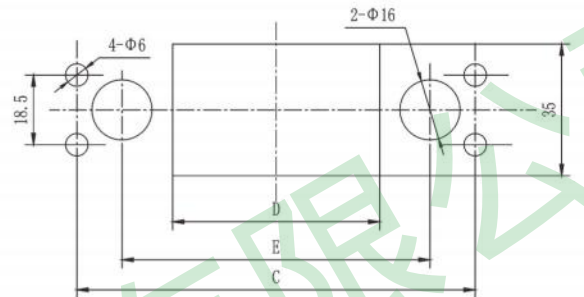
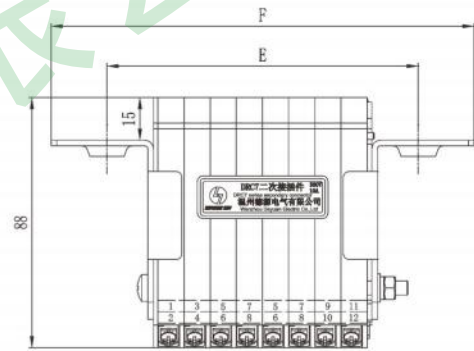
DRC7 Secondary Plug Outline And Assemble Dimension

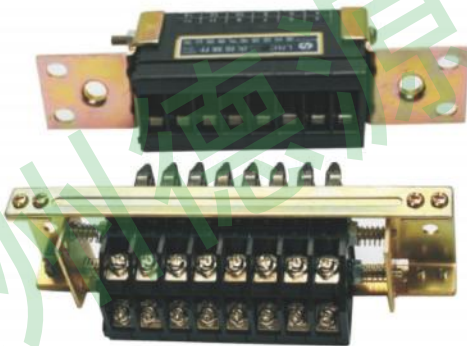
型号 model	C	D	E	F
DRC7(T)-5/10	110.3	55.4	82.1	130.1
DRC7(T)-6/12	119.5	64.6	91.3	139.3
DRC7(T)-8/16	137.7	83	109.7	157.7
DRC7(T)-10/20	156.1	101.4	128.1	176.1
DRC7(T)-12/24	174.5	119.8	146.5	194.5
DRC7(T)-15/30	202.1	147.4	174.1	222.1
DRC7(T)-16/32	211.3	156.6	183.3	231.3


 DRC7二次接插件  
 DRC7 series secondary connector

**DRC7插座外形及安装尺寸列表**  
 DRC7 Secondary Socket Outline And Assemble Dimension

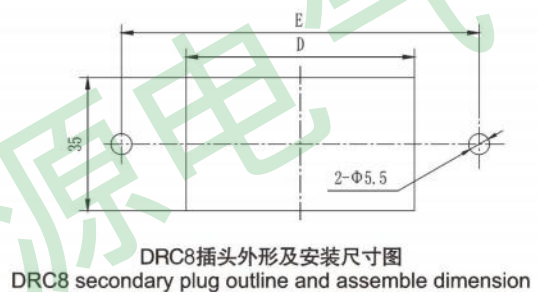
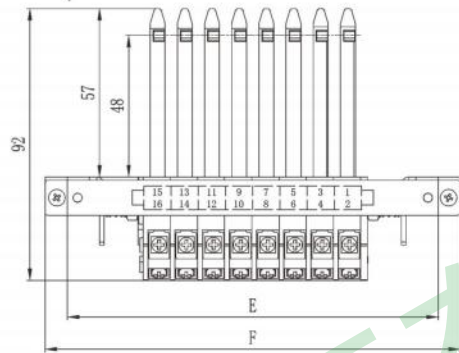
型号及规格 Model no. and specification	C	D	E	F
DRC7(Z)-5/10	106	55	82	120
DRC7(Z)-6/12	115	64	91	129
DRC7(Z)-8/16	133.5	82.5	109.5	147.5
DRC7(Z)-10/20	152	101	128	166
DRC7(Z)-15/30	198	147	174	212
DRC7(Z)-16/32	207	156	183	221


 DRC7插座外形及安装尺寸图  
 DRC7 secondary socket outline and assemble dimension

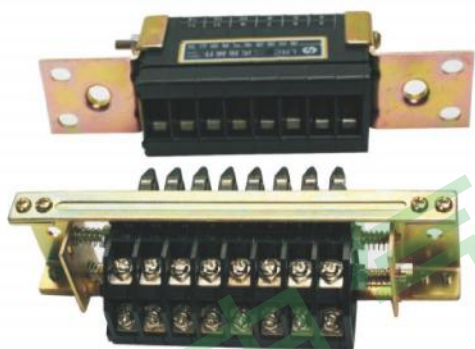
**DRC型二次接插件**  
 DRC Series Secondary Connector

 DRC8二次接插件  
 DRC8 series secondary connector

**DRC8插头外形及安装尺寸列表**  
 DRC8 Secondary Plug Outline And Assemble Dimension

型号及规格 Model no. and specification	D	E	F
DRC8(T)-5/10	60	94	109
DRC8(T)-8/16	91	125	140
DRC8(T)-10/20	110	144	159
DRC8(T)-15/30	156	190	205


 DRC8插头外形及安装尺寸图  
 DRC8 secondary plug outline and assemble dimension

## ——经济型低压配电柜通用附件

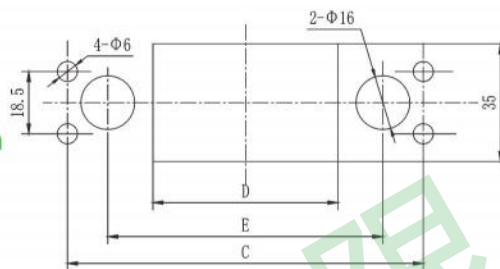
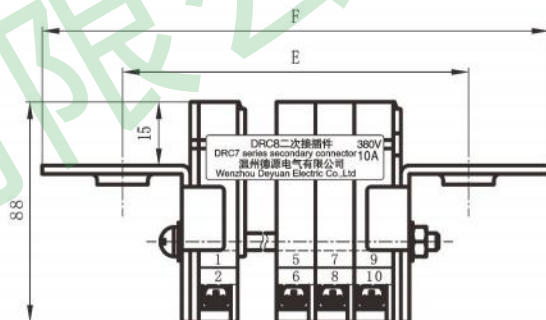


DRC8二次接插件  
DRC8 series secondary connector

## DRC8插座外形及安装尺寸列表

## DRC8 Secondary Socket Outline And Assemble Dimension

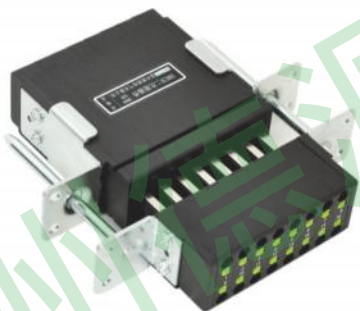
型号及规格 Model no. and specification	C	D	E	F
DRC8(Z)-5/10	106	55	82	120
DRC8(Z)-8/16	133.5	82.5	109.5	147.5
DRC8(Z)-10/20	152	101	125	166
DRC8(Z)-15/30	198	147	174	212



DRC8插座外形及安装尺寸图  
DRC8 secondary socket outline and assemble dimension

## DRC9 直插式二次插件(后出)

## DRC9 in-line secondary plug-in (Rear Wiring)



## 产品优点

- ①与现有螺钉接线方式相比,本方案具有接线快速,效率高的优点;
- ②DRC9插件可带试验接点,订货时需注明;
- ③DRC9插件将插头与插座的配合间隙调整到1mm,降低抽屉与柜体配合精度的要求,二次插件安装采用M5自攻螺丝,安装方便快捷;
- ④二次动插件从抽屉外部紧固,拆卸方便,便于维修更换;
- ⑤抽屉处于试验位置时二次可接通。

## Product advantages

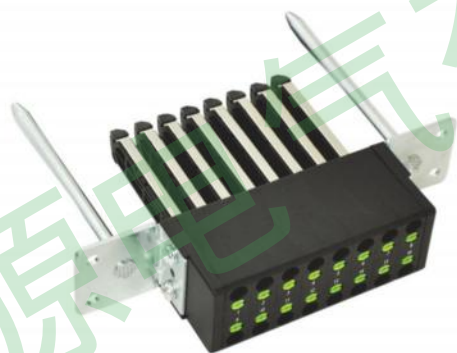
- ① Compared with the existing screw connection mode, this scheme has the advantages of fast connection and high efficiency;
- ② DRC9 plug-in can take test

contact, when ordering to specify;③ DRC9 plug-in can adjust the gap between plug and socket to 1mm, reduce the precision of the drawer and cabinet, the second plug-in installation using M5 self-tapping screw, easy to install;④ The secondary moving plug-in is fastened from the outside of the drawer, easy to disassemble, easy to repair and replace;⑤ When the drawer is in the test position, it can be connected twice.

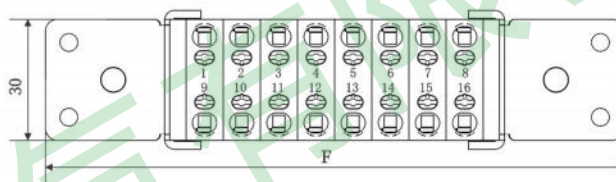
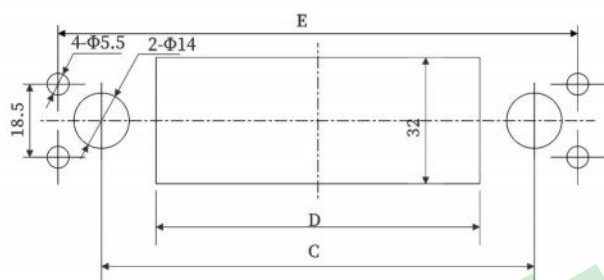
名称 name	型号 model	型号(带试验点) model number(Belt test point)
DRC9型二次接插件 DRC9 type secondary connector	DRC9-5/10	DRC9-5/10S
DRC9型二次接插件 DRC9 type secondary connector	DRC9-6/12	DRC9-6/12S
DRC9型二次接插件 DRC9 type secondary connector	DRC9-8/16	DRC9-8/16S
DRC9型二次接插件 DRC9 type secondary connector	DRC9-10/20	DRC9-10/20S
DRC9型二次接插件 DRC9 type secondary connector	DRC9-12/24	DRC9-12/24S
DRC9型二次接插件 DRC9 type secondary connector	DRC9-16/32	DRC9-16/32S

### DRC9 插头外形及安装尺寸列表

List of DRC9 plug shapes and mounting dimensions



型号 model	C	D	E	F
DRC9(T)-5/10	82	54.5	104	115.6
DRC9(T)-6/12	91.2	63.5	113.2	124.8
DRC9(T)-8/16	109.6	82	131.6	143.2
DRC9(T)-10/20	128	100.4	150	161.6
DRC9(T)-12/24	146.4	118.8	168.4	180
DRC9(T)-16/32	183.2	155.6	205.2	216.8

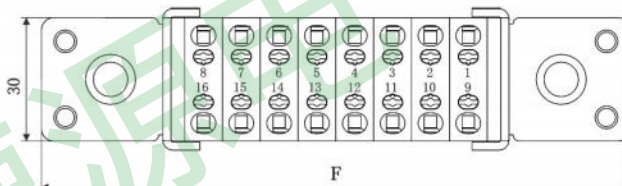
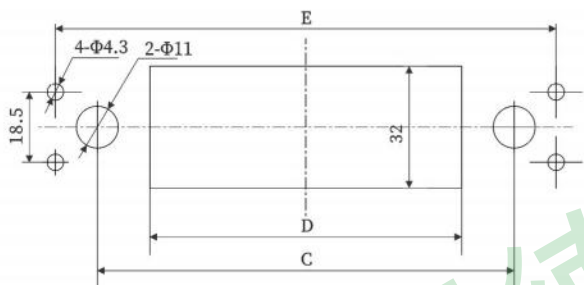


### DRC9 插座外形及安装尺寸列表

List of DRC9 socket shapes and mounting dimensions

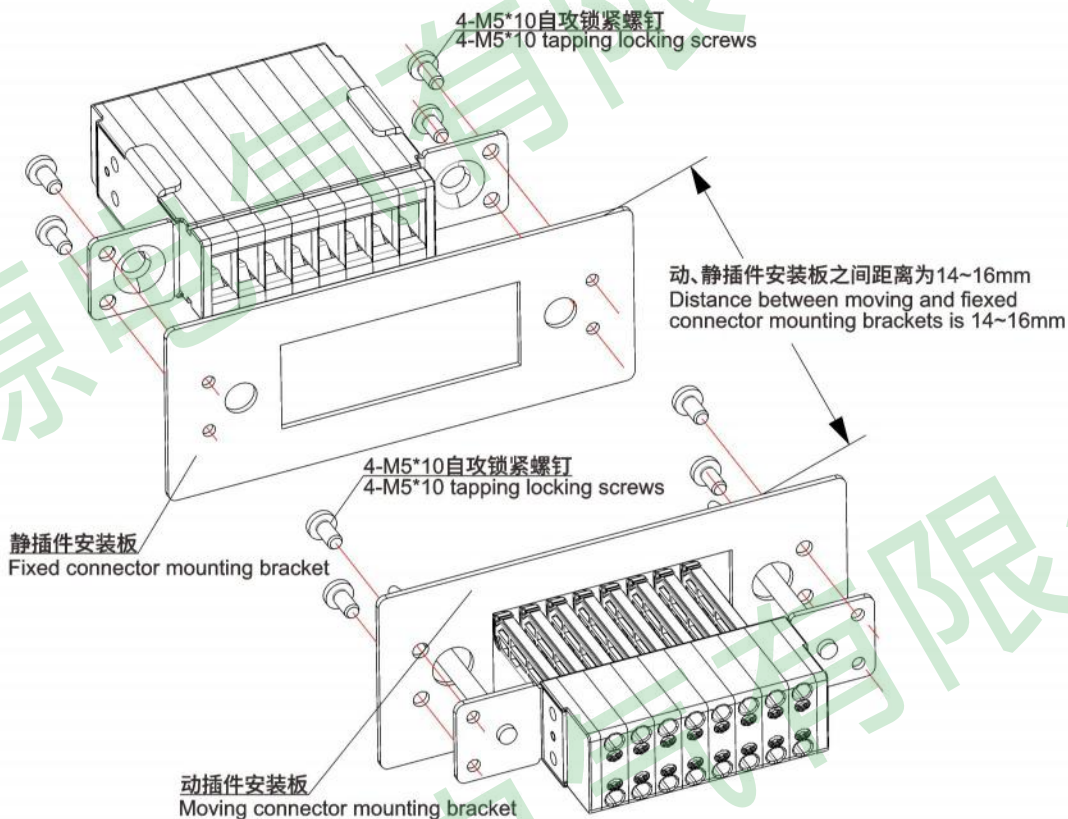


型号 model	C	D	E	F
DRC9(Z)-5/10	82	54.4	104	115.6
DRC9(Z)-6/12	91.2	63.6	113.2	124.8
DRC9(Z)-8/16	109.6	82	131.6	143.2
DRC9(Z)-10/20	128	100.4	150	161.6
DRC9(Z)-12/24	146.4	118.8	168.4	180
DRC9(Z)-16/32	183.2	155.6	205.2	216.8



### DRC9直插式二次插件安装示意

Installation of DRC9 in-line plug-in



### DRC9直插式二次插件接线示意

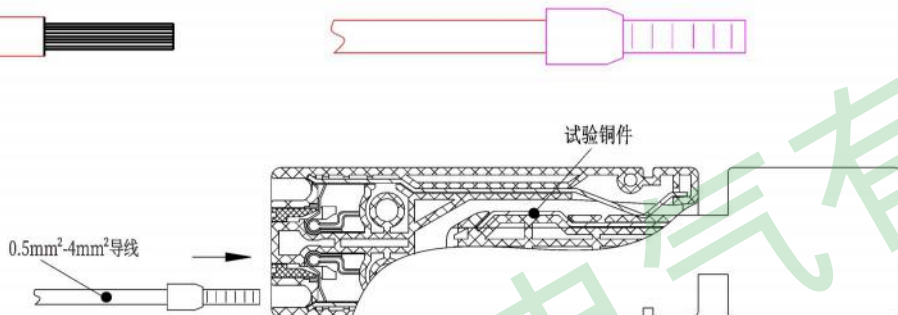
DRC9 Plug-in secondary connector wiring diagram

①根据管型预绝缘端子规格长度将导线一端绝缘层剥去  
Strip off the insulation layer of one end of the wire according to the specification length of the tubular pre-insulated terminal

②将管型预绝缘端子与导线压接牢固  
Crimp the pre-conductor of the tubular pre-insulated terminal firmly

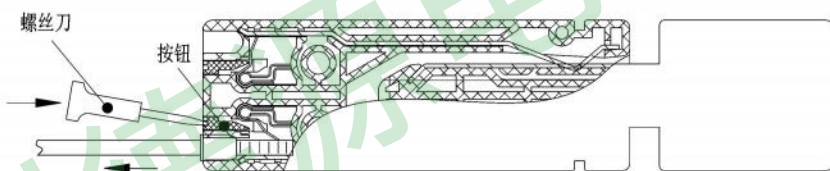
导线安装:  
导线铆接预绝缘铜管后按下方示意直接插入到底即可试验铜件

Wire installation:  
After the wire is riveted to the pre-insulated copper tube, the copper part can be tested by inserting the bracket as indicated below.



导线拔出:  
用螺丝刀向下按压按钮到底,导线即可拔出

Wire pull out:  
Press the button down with a screwdriver to the end, and the wire can be pulled out



汇流排夹  
Distribution Bar Clamp

与汇流排夹盖及支撑柱配套用于在抽屉柜内固定垂直母线  
相距分55与50两种

垂直母线规格：

- 1.相距55,6×40、6×50、6×60、6×80
- 2.相距50,5×50、5×60、5×80

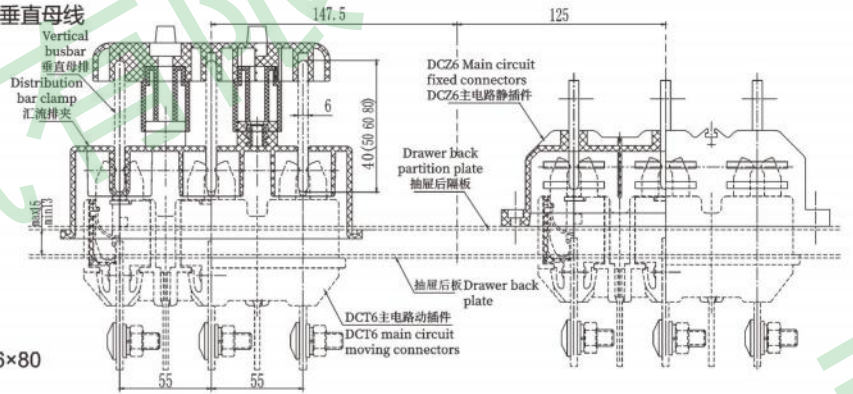
使用相距50的汇流排加一次触头需加  
长10mm (包括1/2单元用转接件)

It is matched with distribution bar cover and  
support to fix the vertical busbar in the drawer.  
Phase distance in 50MM or 55MM.

Vertical busbar size:

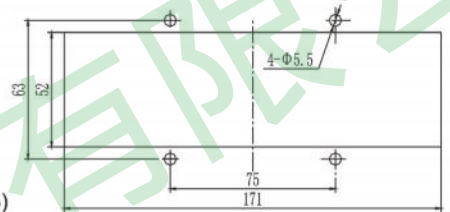
- 1.Phase distance in 55MM: 6×40, 6×50, 6×50, 6×80
- 2.Phase distance in 50MM: 5×50, 5×60, 5×80

Distribution bars in phase distance 50 with primary contact  
need to be add 10mm longer(1/2 unit condapter included)

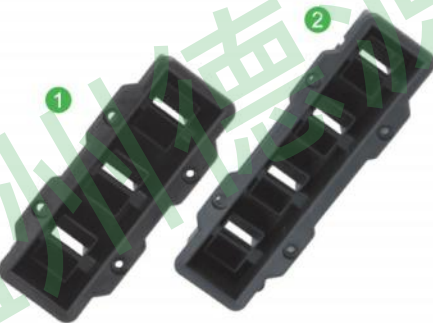


- 1、汇流排夹盖 (3极)  
8LS 750 012(相距55)
- 2、汇流排夹盖 (4极)  
8LS 750 014 (相距55)  
8LS 750 014.1 (相距50)

- 1、Distribution bar cover (3P)  
8LS 750 012(Phase distance 55)
- 2、Distribution bar cover (4P)  
8LS 750 014(Phase distance 55)  
8LS 750 014.1(Phase distance 50)

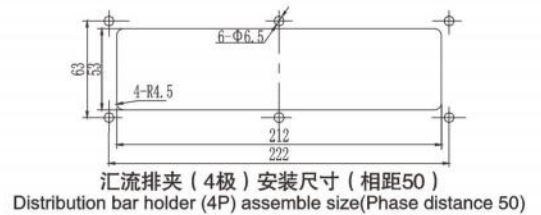


汇流排夹 (3极) 安装尺寸  
Distribution bar holder (3P) assemble size

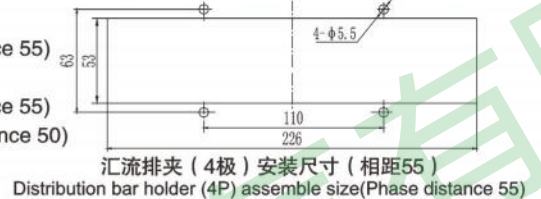


- 1、汇流排夹 (3极)  
8LS 750 021 (相距55)
- 2、汇流排夹 (4极)  
8LS 750 022 (相距55)  
8LS 750 013.1(相距50)

- 1、Distribution bar cover (3P)  
8LS 750 021(Phase distance 55)
- 2、Distribution bar cover (4P)  
8LS 750 022(Phase distance 55)  
8LS 750 013.1(Phase distance 50)



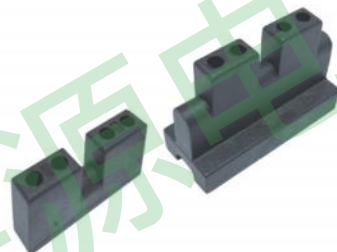
汇流排夹 (4极) 安装尺寸 (相距50)  
Distribution bar holder (4P) assemble size(Phase distance 50)



汇流排夹 (4极) 安装尺寸 (相距55)  
Distribution bar holder (4P) assemble size(Phase distance 55)



支撑柱Support  
8LS 750 015(H=19,6x60)  
8LS 750 016(H=39,6x80)



汇流排夹塞头  
8LS 750 023(6X40)  
8LS 750 023.1(6X30)  
Confluence row head plug head

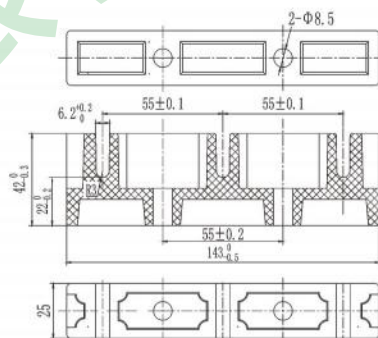
## ——经济型低压配电柜通用附件

### CZMJ型垂直母线框

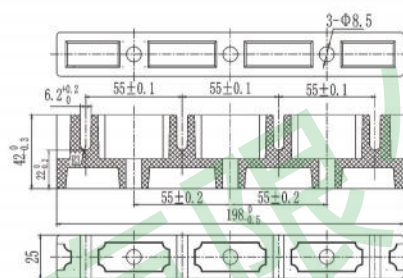
#### CZMJ Vertical Busbar Box



CZMJ3-3 垂直母线框 (3极)  
 注: 最小适用母排规格40×6  
 Vertical busbar box (3 Poles)  
 CZMJ3-3  
 Note: minimum busbar size in 40×6

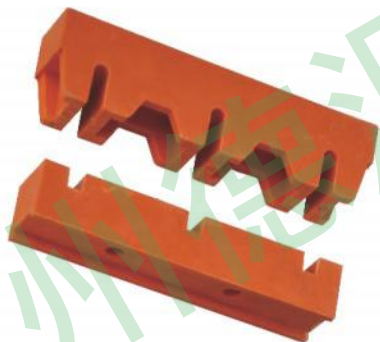


CZMJ3-4 垂直母线框 (4极)  
 注: 最小适用母排规格40×6  
 Vertical busbar box (4 Poles)  
 CZMJ3-4  
 Note: minimum busbar size in 40×6

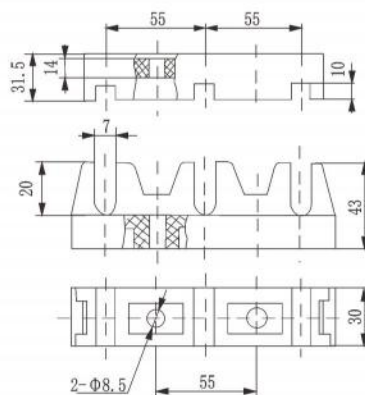


### XP系列小排托

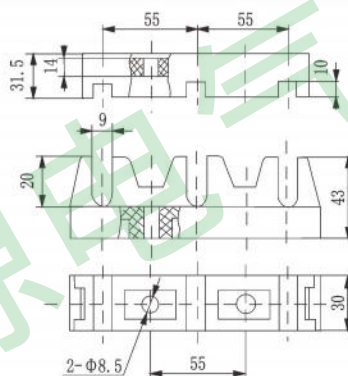
#### XP Series Line Support



XP1-55-7 小排托  
 XP1-55-7 Small line support



XP1-55-9 小排托  
 XP1-55-9 Small line support



## DSTJG1-1型省力推进操作机构

### DSTJG1-1 Labor-saving Pushing Mechanism

#### ■ 特点

##### Characters

- ① 机构采用双蜗轮结构，用高强度耐磨工程塑料制作而成。
- ② 机构特别适用操作力距偏大的大电流抽屉单元，较普通机构省力一半以上。
- ③ 具有连接、试验、隔离、抽出的文字及色标四位置显示，每个工作位置均有明显的声音提示。
- ④ 在试验位置辅助回路可以接通，主开关可以做分、合闸试验。
- ⑤ 连接、实验、抽出位置、开关旋转手柄只要合闸，机构即被锁定。
- ⑥ DSTJG1-1型机构推进行程为：48mm
- ⑦ DSTJG1-1型机构具有推进、工作位置机械联锁功能。
- ⑧ 限位导轨用于安装大容量开关抽屉，可解决机构安装板变形问题。

- ① The mechanism adopts double worm gear structure and is made of high strength and wear-resisting engineering plastics.
- ② The mechanism is especially suitable for the large current drawer unit with large operating force distance, saving more than half of the ordinary mechanism.
- ③ It has connect, test, disconnect and draw-out letters and color codes to indicate four positions and each working position has obvious sound prompt.
- ④ Under the test position, the auxiliary circuit can be connected and main switch can be in Opening and Closing test
- ⑤ Under the connect, test and draw-out position, the mechanism will be locked only if the rotating handle of the switch is closed.
- ⑥ Pushing travel distance for DSTJG1-1 mechanism: 48mm
- ⑦ DSTJG1-1 mechanism has pushing, working position with interlock function.
- ⑧ The limit guide rail is used for large-capacity switch drawer, which solve the deformation problem of mechanism mounting plate

#### ■ 型号及含义

##### Type And Meaning



#### ■ 工作位置原理说明

##### Working Position Principle

**抽出位置：**此位置抽屉可推进和抽出，位置显示“抽出”。

**隔离位置：**从分离位置顺时针旋转机构，位置显示“隔离”，此时一、二次回路断开，主开关不能合闸。

**试验位置：**从隔离位置顺时针旋转机构抽屉向前移动，当转到试验位置时，位置显示“试验”，微动开关动作，二次回路接通，主开关可以做分、合闸试验，抽屉不能推进抽出。

**连接位置：**继续顺时针旋转机构至连接位置时，位置显示“连接”，微动开关断开，一、二次回路接通，主开关可以合闸，机构锁定，抽屉不能抽出。

**Draw-out position:** the drawer under this position can be pushed in and pulled out, with the position displaying "draw-out".

**Disconnect position:** clockwise turn the mechanism from the disconnecting position with the position displaying "disconnect"; at this moment, the primary and secondary circuits are disconnected and the main switch can not be closed.

**Test position:** clockwise turn the mechanism from the disconnecting position to move the drawer forward, and when it is turned to the test position, the position displays "test" and the micro switch works, secondary circuit connected and the main switch can do closing and making test, and the drawer can not be pushed in and pulled out.

**Connection position:** Continue rotating the mechanism in clockwise to connection position, the position shows "connection", micro-switch disconnected, primary and secondary circuits are connected, the main switch can be closed, the mechanism is locked, the drawer cannot be drawn out.



DSTJG1-1 -5A(AD) 型省力推进机构机构  
DSTJG1-1 -5A(AD) labor-saving pushing mechanism



DSTJG1.10016  
操作把手  
Operation Handle



DJG1.01601  
导轨  
Guide

### 机构选型列表 Type And Meaning List

型号及规格 Model No. & Specification	H	A	B
DSTJG1-1-5A	69		8
DSTJG1-1-5AD			10
DSTJG1-1-5B	82	62	8
DSTJG1-1-5BD			10
DSTJG1-1-5C	119		8
DSTJG1-1-5CD			10
DSTJG1-2	电操机构 Motor mechanism		



DSTJG1.10002  
双头半圆螺套  
Double Head Half Round Screw Sleeve



DSTJG1.17  
指示牌  
Indicating Plate

### 机构选型

#### Mechanism Selection

根据抽屉的高度和开关配套机构方轴选用机构型号。

根据抽屉插拔力的大小选用限位导轨。

Please order the mechanism according to the drawer height and switch mechanism shaft Limit guide rail will be ordered as per drawer pulling force

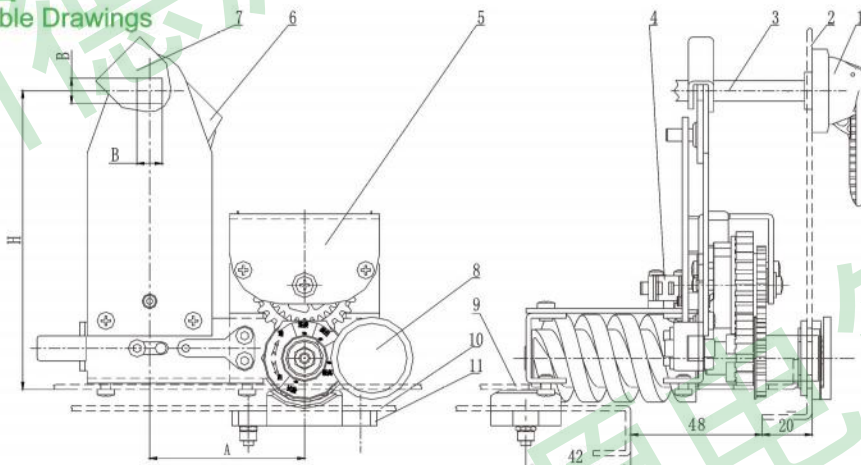
The mechanism type is selected subject to the drawer height and square axle matching with the switch.

注：列表中“H”为机构安装板到开关操作手柄孔中心高度，“A”为推进机构操作中心到开关操作手柄中心尺寸，“B”为方轴尺寸。

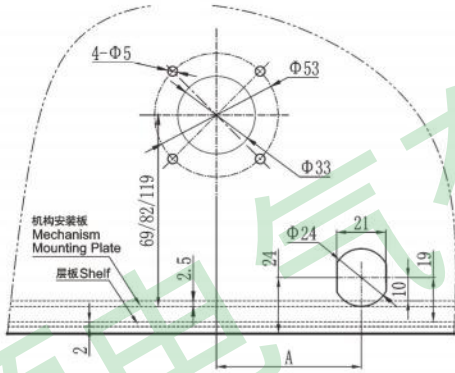
Note: "H" in the list means central height from mechanism mounting plate to switch handle hole, "A" means central distance from pushing mechanism center to switch handle center, "B" means shaft sizes

### 机构安装示意图

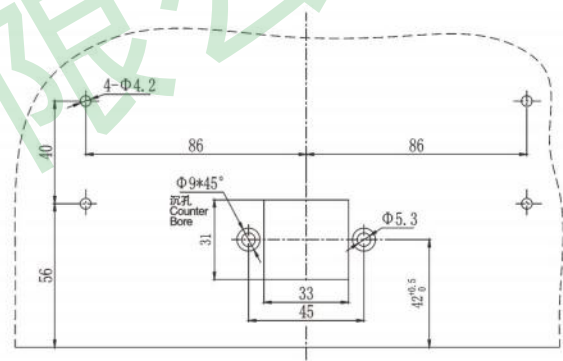
#### Mechanism Assemble Drawings



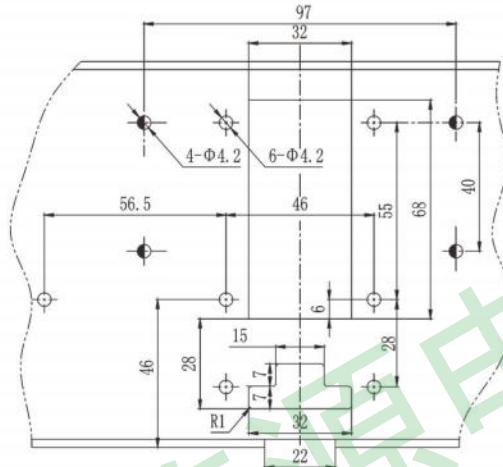
- |          |                         |        |                    |           |                                     |
|----------|-------------------------|--------|--------------------|-----------|-------------------------------------|
| 1.开关操作手柄 | Switch operating handle | 5.推进机构 | Pushing mechanism  | 9.机构安装板   | Mechanism mounting plate            |
| 2.抽屉面板   | Drawer panel            | 6.锁片   | Locking plate      | 10.抽屉层板   | Drawer shelf                        |
| 3.方轴     | Square axle             | 7.方轴套  | Square axle sleeve | 11.双头半圆螺套 | Double head half round screw sleeve |
| 4.二次微动开关 | Secondary microswitch   | 8.指示牌  | Indicating label   |           |                                     |



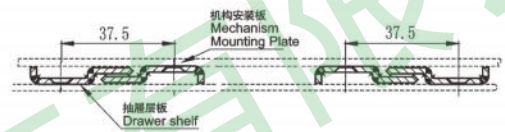
抽屉面板开孔尺寸  
Hole Dimension For Drawer Panel



隔板(层板)及导轨开孔尺寸  
Hole dimensions of baffle (laminate) and guide rail

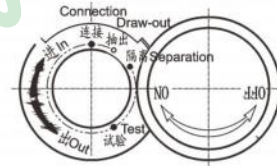


机构安装板开孔尺寸图  
Mechanism Mounting Plate Hole Dimension



导轨安装示意  
Guide rail installation

注:此四孔为导轨安装孔  
Note: The four holes are guide rail mounting holes



指示牌旋开后正视图  
Indicating plate



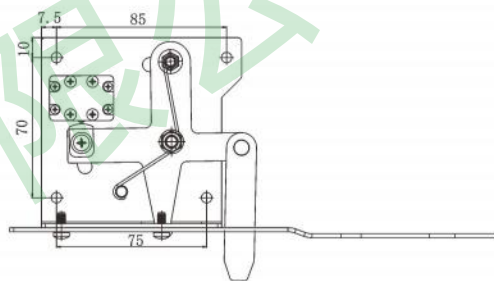
DJG-5 齿轮传动结构大联锁  
DJG-5 gear transmission structure large interlocking  
(与原结构大联锁相比增大了塑料仪表板的开孔区域)  
Increased the plastic panel opening area compared with the original structure of the large interlock

名称 Description	型号及规格 Model No. & Specification	备注 Remark
大联锁 large interlocking	DJG-5.1	1开1闭 1 ON 1 OFF
	DJG-5.1-1	无公共点 No public point
	DJG-5.1-2	无辅开 No auxiliary switch
	DJG-5.1-9	2开2闭 2 ON 2 OFF
	DJG-5.3	带电操1开1闭 1 ON 1 OFF with motor
	DJG-5.3-1	带电操2开2闭 2 ON 2 OFF with motor

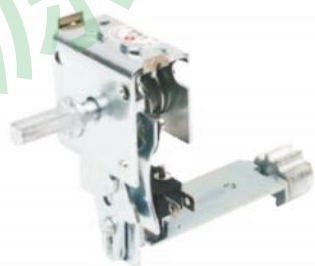
## ——经济型低压配电柜通用附件



联锁机构 DJG-8.17  
Interlocking mechanism DJG-8.17  
联锁机构 DJG-8.18(带微动开关)  
Interlocking mechanism DJG-8.18 (With micro switch)



联锁机构安装示意图  
Interlocking mechanism assembly outline



DJG-4 小联锁  
DJG-4 Small Interlocking

名称 Description	型号及规格 Model No. & Specification	备注 Remark
小联锁 Small Interlocking	DJG-4.11	一开一闭 1 ON 1 OFF
	DJG-4.11-1	二开二闭 2 ON 2 OFF
	DJG-4.13	带电操 With motor



DTC-1.13013 端子架板  
Terminal frame board  
(HANL 200 040P1)

DTC-1.13011 后出线端子架板  
Back wiring terminal bracket  
(8LS.150.001)



DTC-1.13005 抽屉上挡板  
Drawer upper partition plate  
(HANL 200 012P1)



DJG-8.11015 U型导向块  
U type guide block



DJG-8.11016 导向螺钉  
Guide screw



Φ28 轴承  
Φ28 Bearing

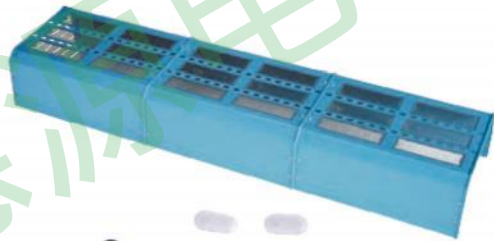


DTC-1.13108HD 轴  
DTC-1.13108HD AXLE

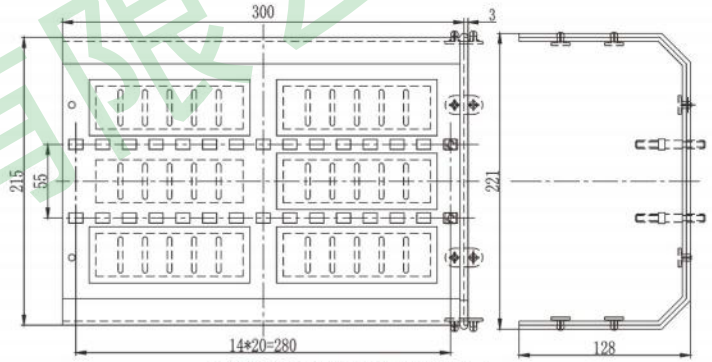
## DMXZ5型垂直母线罩

### DMXZ5 Type Vertical Busbar Cover

- DMXZ5型垂直母线罩用于经济型MCC柜上,用做垂直母线与主母线及功能单元室的隔离防护。
- DMXZ5型垂直母线罩每段长度为300mm。
- DMXZ5 type vertical busbar cover is used on economical MCC cabinet as the isolation protection between vertical busbar,main busbar and the functional compartment.
- DMXZ5 type vertical busbar cover length in each phase: 300mm



DMXZ5型垂直母线罩  
DMXZ5 Type Vertical Busbar Cover



DMXZ5型垂直母线罩外形尺寸  
DMXZ5 Type Vertical Busbar Cover Dimensions

## DMXZ5型垂直母线罩零件

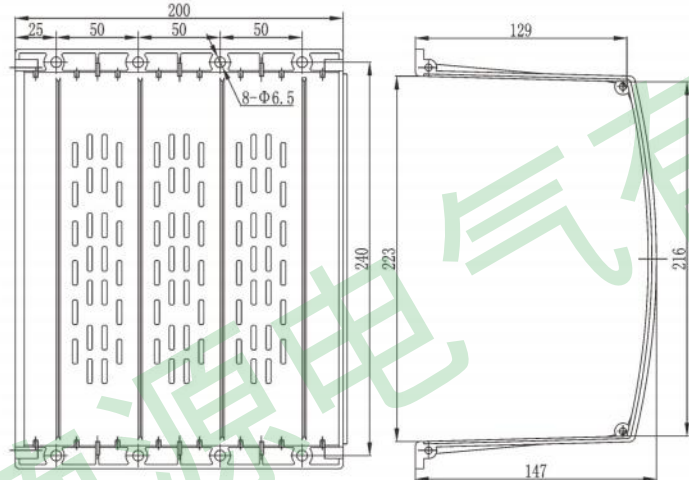
### DMXZ5 Type Vertical Busbar Cover Parts

代号 Code	名称 Model No.	数量 Quantity
DMXZ5.1	垂直母线罩中端 Middle end of vertical bus cover	1
DMXZ5.2	母线罩盖板 Bus cover plate	6
DMXZ5.3	联结(接)块 Join block	6
DMXZ5.4	螺柱 stud	2
DMXZ5.5	螺帽 nut	2

## DMXZ6型垂直母线罩

### DMXZ6 Type Vertical Busbar Cover

- DMXZ6型垂直母线罩用于经济型MCC柜上,用作垂直母线与主母线及功能单元室的隔离保护。
- DMXZ6型垂直母线罩每段长度为200mm,上封板开有敲落孔,可根据垂直母排规格自行敲落,最大规格至6x80母排。
- DMXZ6 type vertical busbar cover is used on economical MCC cabinet as the isolation protection between vertical busbar,main busbar and the functional compartment.
- DMXZ6 type vertical busbar cover length in each phase: 200mm,upper sealing plate with knock holes, which can be knocked down by as per specifications of the vertical bars, maximum busbar size 6x80



垂直母线罩外形尺寸  
Vertical Busbar Cover Dimensions



DMXZ6.1垂直母线罩上封板  
DMXZ6.1 Cover Plate For Vertical Bus Cover



DMXZ6.2垂直母线罩中端  
DMXZ6.2 Middle End Of Vertical Bus Housing



DMXZ6.3垂直母线罩下封板  
DMXZ6.2 Lower Seal Plate For Vertical Busbar Cover

## ——经济型低压配电柜通用附件

## 抽屉左右导轨

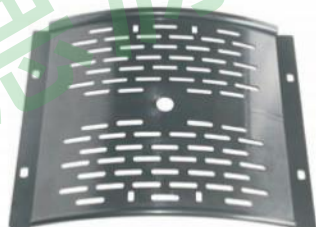
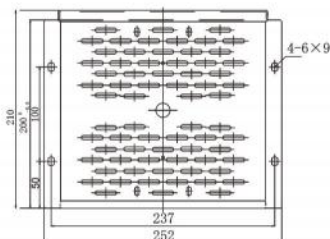
Drawer left and right guide rails



名称 name	型号 model	L
左右导轨 Drawer left and right guide rails	DTC-1.134	369
	DTC-1.134-1	429
	DTC-1.134-5	469

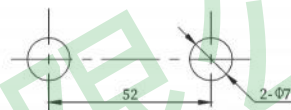
## 分段式封闭罩

Sectional Enclosure

DTL-1.10081分段式封闭罩  
Sectional enclosure分段式封闭罩安装示意图  
Sectional enclosure

## 电缆夹

Cable Clamp

KHF/24-38S 电缆夹  
KHF/24-38S Cable clamp电缆夹安装尺寸  
Cable clamp assembly dimension

## 观察盖板

Observation Cover Plate

GCS-TG-01001 小观察盖板  
GCS-TG-01001 Small Observation Cover PlateGCS-TG-01002 大观察盖板  
GCS-TG-01002 Big Observation Cover Plate

## 定货须知:

- ① 订购时请按照我司订货代号提交。
- ② 此样本照片所示只是产品示意,具体发货根据实际情况配套,若有其他特殊要求请联系技术部。
- ③ 此样本所列产品型号截止至2022年,如有增加及更改恕不另行通知,请与我司联系。

## Instructions for ordering:

- ① Please submit the order according to our order code when ordering.
- ② This sample photo only shows the product. The specific delivery is based on the actual situation. If you have any other special requirements, please contact the technical department.
- ③ The product models listed in this sample are up to 2022. If there is any increase or change without prior notice, please contact our company.

## GCS型抽屉

### GCS Series Drawer

#### 主要电气参数

##### Main Electrical Parameters

额定工作电压:主回路400V/690V;  
辅助回路220V/380V  
额定电流:1/2单元(45A)  
1-3单元(最大至630A)  
额定绝缘电压:660V  
Rated operation voltage: Main circuit 400V/690V;  
Auxiliary circuit 220V/380V  
Rated current: 1/2 unit(45A)  
Unit 1-3 (up to 630A)  
Rated insulating voltage: 660V

#### 抽屉规格

##### Drawer Specifications

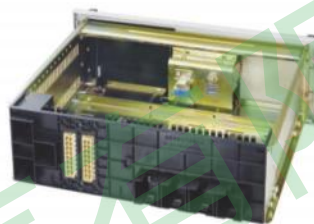
#### 抽屉出线方式 侧出线和后出线两种

##### Drawer Outgoing Mode Side Outgoing And Back Outgoing

抽屉深度为400、460两种  
最大电流至45A  
辅助电路接点最多为10对  
Drawer depth: 400MM or 460MM  
Maximum current up to 45A  
Auxiliary circuit contact up to 10 pairs



GCS型1/2单元抽屉  
GCS Type 1/2 Unit Drawer



GCS型1-3单元抽屉  
GCS Type 1-3 Unit Drawer

抽屉代号 Drawer Model No.	电流 Current	备注 Remark
GCS-TC1628-00	20A	400深抽屉 连接导线6mm <sup>2</sup> 400depth drawer connection wire 6mm <sup>2</sup>
GCS-TC1628-01	45A	400深抽屉 连接导线10mm <sup>2</sup> 400depth drawer connection wire 10mm <sup>2</sup>
GCS-TC1628-02	20A	460深抽屉 连接导线6mm <sup>2</sup> 460depth drawer connection wire 6mm <sup>2</sup>
GCS-TC1628-03	45A	460深抽屉 连接导线10mm <sup>2</sup> 460depth drawer connection wire 10mm <sup>2</sup>

- 抽屉深度为400、460两种
- 最大电流至630A
- 辅助电路接点最多为16对
- Drawer depth: 400MM or 460MM
- Maximum current up to 630A
- Auxiliary circuit contact up to 10 pairs

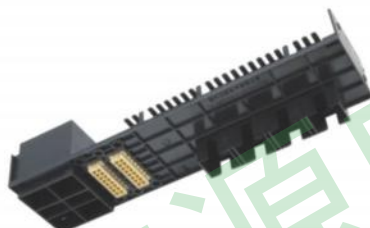
名称 Description	抽屉代号 Drawer Model No.
1单元 Unit	GCS-TC1628-60
1.5单元 Unit	GCS-TC1628-61
2单元 Unit	GCS-TC1628-62
3单元 Unit	GCS-TC1628-63

## GCS型抽屉用零部件

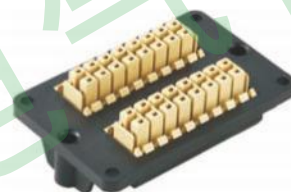
### GCS Series Drawer Parts



抽屉后板 (3极)  
Drawer Back Plate (3P)  
GCS-TC-00042



抽屉后板 (4极)  
Drawer Back Plate (4P)  
GCS-TC-00042.4



DTC-1.2331 B2E带安装板  
DTC-1.2331 B2E With Mounting Plate

——经济型低压配电柜通用附件



DTC-1.2332 B3E带安装板  
DTC-1.2332 B3E With Mounting Plate



GCS型号小号通风栅  
GCS series ventilation grid  
8DY 330 003  
开孔Hole size:46.5 x 171



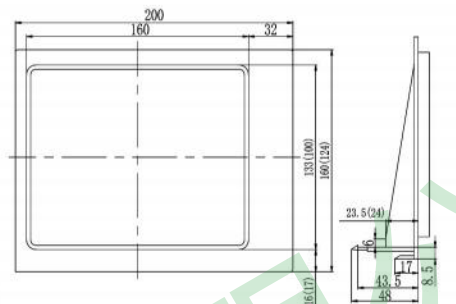
抽屉拉手  
Drawer handle  
GCS-TC-00006



GCS-TC-00044 1单元测控板  
Unit 1 Measurement and control board



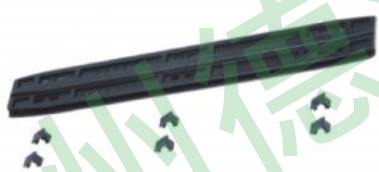
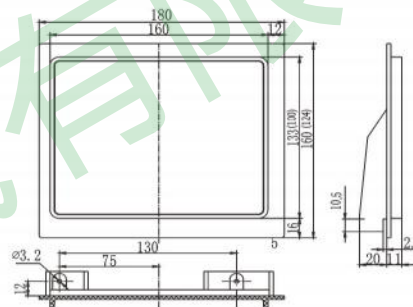
GCS-TC-00104 1.5单元测控板  
Unit 1.5 Measurement and control board



GCS-TC-00044G 1单元固定安装测控板  
Unit 1 fixed measurement and control board



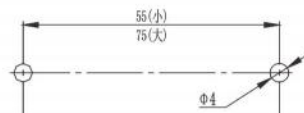
1.5单元以上固定安装测控板  
Unit 1.5 fixed measurement and control board  
GCS-TC-00104G



1/2单元抽屉导轨 (GCS-TG-81501)  
Unit 1/2 drawer guide (GCS-TG-81501)  
导轨卡块 (GCS-TG-81502)  
Guide card block (GCS-TG-81502)



DTC-1.23007/-1  
大小标签框  
Large and small label holder



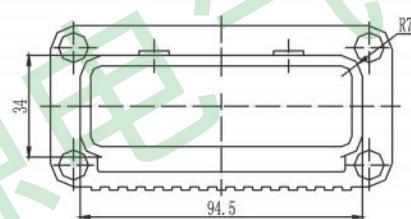
大小标签框安装示意图  
Large and small label holder dimensions



GLBL 200 094P1 大号波纹管 Large bellows  
8LS 390 001 中号波纹管 Medium bellows  
GLBL 200 093P1 小号波纹管 Small bellows



GCS-TC-017 抽屉拉手  
GCS-TC-017 Drawer handle



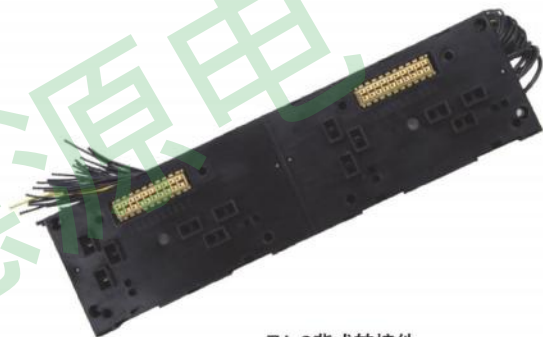
抽屉拉手安装示意图  
Drawer handle installation schematic diagram

## GCS柜用小单元转接件

### GCS Switchgear Small Unit Condapter

用于GCS型抽屉柜1/2抽屉单元的电路转接  
 主辅电路出线直接从转接件右侧进入电缆室  
 转接件的两个1/2单元格配有10对二次线接点  
 额定电压：380V (660V)  
 额定电流：40A (90A)

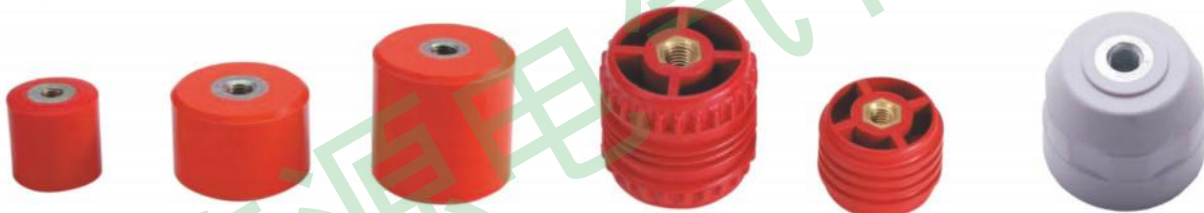
Used for circuit switchover of 1/2 unit drawer in GCS drawer cubicle  
 The main and auxiliary circuits are directly from the right of the condapter into the cable compartment.  
 Two 1/2 cells of the condapter is matched with 10 pairs of secondary line contacts.  
 Rated voltage:380V (660V)  
 Rated current:40A (90A)



ZJ-2背式转接件  
 ZJ-2 Back condapter

序号 Serial No.	型号或代号 Model No. or code	容量 Capacity	备注 Remarks
1	ZJ-2.00	40A	无二次 without secondary contact
2	ZJ-2.08		带8对二次线 with 8 pairs of secondary contact
3	ZJ-2.20		带20对二次线 with 20 pairs of secondary contact
4	ZJ-2.00.1	90A	无二次 without secondary contact
5	ZJ-2.08.1		带8对二次线 with 8 pairs of secondary contact
6	ZJ-2.20.1		带20对二次线 with 20 pairs of secondary contact

## 绝缘子 Insulator



绝缘子 Insulator  
 $\Phi 40 \times 35 \times M8$

代号 Model No.	规格 Specification	螺栓规格 Bolt nut specifications
GMN 980 303P2	$\Phi 40 \times 40$	M10
5LS 720 001	$\Phi 60 \times 40$	M12
5LS 720 003	$\Phi 60 \times 60$	

代号 Model No.	规格 Specification	螺栓规格 Bolt nut specifications
GCS-SGR30A	$\Phi 40 \times 30$	M8
GCS-SGR30B		M10
GCS-SGR50A	$\Phi 50 \times 50$	M8
GCS-SGR50B		M10

## 橡皮护圈 Rubber Retainer



## 橡皮护圈代号及开孔尺寸

### Rubber Retainer Models And Hole Size

代号 Model No.	名称 Name	开孔尺寸 Holing dimension
8LS 766 003P3.1	方形护圈 Square retainer	10x10
8LS 766 003P3	扁形橡皮护圈 Flat rubber retainer	53x13
8LS 766 002	橡皮护圈 (圆形)	60
8LS 766 004	Rubber retainer (round)	90
8LS 766 005	橡皮护圈 (塔形)	110
8LS 766 005.1	Rubber retainer (tower)	80

## **MNS2.0低压配电柜附件**

MNS2.0SERIESLOWVOLTAGESWITCHGEARACCESSORIES

## **MNS3.0低压配电柜附件**

MNS3.0SERIESLOWVOLTAGESWITCHGEARACCESSORIES

## 600 宽 MNS2.0 半块功能板后出线柜附件

600 wide MNS2.0 half function board rear outlet cabinet accessory

### ■ 抽屉规格 Drawer Specification

8E/4抽屉、8E/2抽屉  
8E/4 Drawer, 8E/2 Drawer

### ■ 主要电气参数 Main Technical Data

额定工作电压:主回路400V/690V;  
辅助回路220V/380V(直流110V)  
额定电流: 8E/4(32A); 8E/2(63A);  
额定绝缘电压: 660V  
Rated Operating Voltage: main circuit 400V/690V  
Auxiliary circuit 220V/380V(DC110)  
Rated Current: 8E/4(32A); 8E/2(63A);  
Rate Insulation Voltage: 660V



8E/4 抽屉  
8E/4 Drawer

8E/2 抽屉  
8E/2 Drawer



8E/4插件后板  
8E/4 Back plate of plugins

名称 Description	型号及规格 Model No.	电缆 Wires	备注 Remarks
8E/4插件后板 8E/4 Back plate of plugins	GLBS 200 523R1	6mm <sup>2</sup>	32A
	GLBS 200 523R11	6mm <sup>2</sup>	32A带N线 32A with N wires



8E/2插件后板  
8E/2 Back plate of plugins

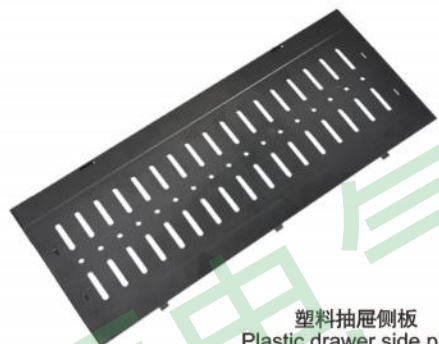
名称 Description	型号及规格 Model No.	电缆 Wires	备注 Remarks
8E/2插件后板 8E/2 Back plate of plugins	GLBS 200 523R2	6mm <sup>2</sup>	32A
	GLBS 200 523R5	10mm <sup>2</sup>	63A
	GLBS 200 523R15	10mm <sup>2</sup>	63A带N线 63A with N wires
	GLBS 200 523R12	6mm <sup>2</sup>	32A带N线 32A with N wires



DTC-1.11004  
前档Front Plate  
HANL 200 002P1



DXTC-1.33103  
安装板限位件  
MountingPlate Stopper



塑料抽屉侧板  
Plastic drawer side plate

名称 Description	型号及规格 Model No.	备注 Remarks
塑料抽屉侧板 Plastic drawer side plate	DTC-1.11003	400深抽屉 400MM Depth Drawer
	DXTC-1.33002	450深抽屉 450MM Depth Drawer
	DTC-1.11003-1	500深抽屉 500MM Depth Drawer



抽屉铝导轨  
Drawer Aluminum Guide Rail

名称 Description	型号及规格 Model No.	备注 Remarks
抽屉铝导轨 Drawer Aluminum Guide Rail	DTC-1.11002	400深抽屉 400MM Depth Drawer
	DTC-1.11002-1	500深抽屉 500MM Depth Drawer
	DTC-1.11002-5	450深抽屉 450MM Depth Drawer



8E/4、8E/2抽屉导轨  
8E/4 Drawer, 8E/2 Drawer, Guide Rail

名称 Description	型号及规格 Model No.	备注 Remarks
8E/4、8E/2 抽屉导轨 8E/4 Drawer, 8E/2 Drawer, Guide Rail	DTC-1.11005	400深抽屉用 400MM Depth Drawer
	DTC-1.11006	500深抽屉用 500MM Depth Drawer



小联锁  
Interlocking Device

名称 Description	型号及规格 Model No.	备注 Remarks
小联锁 Interlocking Device	DJG-4.11	一开一闭 1-On 1- OFF
	DJG-4.11-1	二开二闭 2-On 2- OFF
	DJG-4.13	带电操 With motor operation

德源 **DYEGCC**  
electric



DTC-1.11001 8E/4仪表板  
8E/4 Instrumental Plate  
HANL 200 059 P1



DTC-1.12001 8E/2仪表板  
8E/2 Instrumental Plate  
HANL 200 060 P1



DTC-1.114 拉手带标牌架  
Handle with sign rack



DTC-1.114-1 拉手带标牌架  
Handle with sign rack



B型小手柄  
Type B small handle  
HANL 100 018R1



D型小手柄  
Type D small handle  
5DY 100 001

### 操作手柄位置说明

Busbar included



工作位置:主开关合闸,控制回路接通,抽屉锁定  
Working position:the main switch closes, the control loop is connected, drawer locked



分闸位置:主开关断开,抽屉锁定  
Opening position:the main switch is disconnected drawer locked



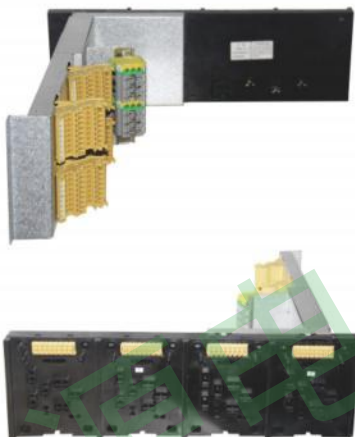
试验位置:主开关分闸,控制回路接通,抽屉锁定  
Test position:main switch in opening, control loop connected, drawer locked



抽出位置:主回路和控制回路均断开  
Drawout position:main loop and control loop all opening



隔离位置:抽出30mm距离,主回路及控制回路均断开,完成隔离  
Isolation position:when drawout 30mm distance, the main circuit and control circuit are disconnected to complete isolation



**产品优点**

- ① 适用于600宽后出线柜,与老款后置式转接件相比,安装简单,维护时不需拆掉柜体侧板即可将转接件从柜内取出,且并柜方便;
- ② 8E/4转接件最大电流32A,二次最大16线;
- ③ 8E/2转接件最大电流63A,二次最大32线;
- ④ 额定电压: 400V(690V);
- ⑤ 主进线额定电流125A;

**Product advantages**

- ① It is suitable for 600 wide rear outlet cabinets. Compared with the old rear adapter, the installation is simple, the adapter can be removed from the cabinet without removing the side plate of the cabinet body during maintenance, and it is convenient to combine cabinets.
- ② 8 E/4 adapter is 32A, and the maximum secondary current is 16 wires;
- ③ 8E/2 adapter maximum current 63A, secondary maximum 32 lines;
- ④ Rated voltage: 400V(690V);
- ⑤ Rated current of main inlet line 125A;

名称 The name of the	型号 model
8E/4转接件3P 8E/4 adapters 3P	GLBK 301 551R1
8E/4转接件4P 8E/4 adapters 4P	GLBK 301 551R2
8E/2转接件3P16线 8E/2 adapter 3P16 cable	GLBK 301 552R1
8E/2转接件3P32线 8E/2 adapter 3P32 cable	GLBK 301 552R2
8E/2转接件4P 8E/2 adapter 4P	GLBK 301 553R1
8E/2转接件4P 8E/2 adapter 4P	GLBK 301 553R2

**MNS2.0半块功能板柜单元抽**

MNS2.0 half a functional panel cabinet unit is pumped

**抽屉规格 Drawer Specification**

8E抽屉、16E抽屉、24E抽屉  
8E Drawer, 16E Drawer, 24E drawer

**出线方式 Wiring Method**

后出线 Back Wiring

**主要电气参数 Main Technical Datas**

额定工作电压:主回路400V/690V;  
                  辅助回路220V/380V(直流110V)  
额定电流: 8E-24E(最大至630A)  
额定绝缘电压: 660V  
Rated Operating Voltage: main circuit 400V/690V  
                                  Auxiliary circuit 220V/380V(DC110)  
Rated Current: 8E-24E(Maximum current to 630A)  
Rate Insulation Voltage: 660V



## 单手柄操作机构(DMINS型柜用)(专利产品)

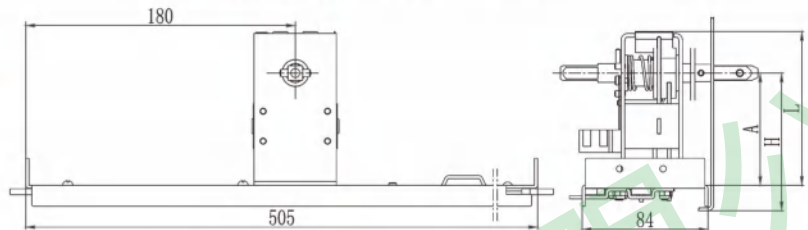
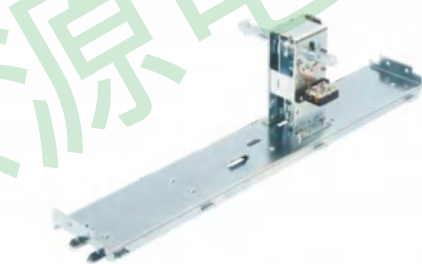
### Single Handle Operating Mechanism(DMNS Switchgear) (Patented)

#### ■ 型号及含义 Model No And Explanation



#### ■ 特点 Character

- ① 机构为单手柄一步操作
  - ② 机构具有分闸、合闸、实验、隔离、抽出五位置显示及操作功能
  - ③ 机构具有位置联锁，可以避免误操作
  - ④ 机构面板防护等级可达IP40
- ① The mechanism is in single operation
  - ② With Opening, Closing, Test, Isolation, Drawout display and function
  - ③ The mechanism is with position, to avoid misoperations
  - ④ Panel of the mechanism can up to Ip40



外形及安装尺寸 Outline and assembly size

机构型号 Model No.	H(面板开孔高度H) Hole Height	L	A	配套手柄型号 Handle Model No.	备注 Remark
DJG-2.11	100	103	75	MCZJG2-5MB	配8E抽屉用 For 8E Drawer
DJG-2.12	120	123	95	MCZJG2-3MB	配16E抽屉用 For 16E Drawer
DJG-2.13	150	153	125	MCZJG2-4MB	配24E抽屉用 For 24E Drawer
DJG-2G.11	100	103	75	DJG-6SB.2	配8E抽屉用 For 8E Drawer
DJG-2G.12	120	123	95	DJG-6SB.3	配16E抽屉用 For 16E Drawer
DJG-2G.13	150	153	125	DJG-6SB.4	配24E抽屉用 For 24E Drawer

#### ■ 手柄位置及工作原理说明 Switch Handle Positions And Instructions

隔离位置：抽屉抽出30mm后锁定，一、二次触头断开，抽屉不能推进和抽出，手柄箭头位置指向“ $\downarrow$ ”。

抽出位置：抽屉一、二次触头断开，抽屉能够推进和抽出，手柄箭头位置指向“ $\uparrow$ ”。

实验位置：抽屉推插到位，一次进线接通、二次回路接通、微动开关接通，组件锁定，主开关不能合闸，抽屉不能抽出，手柄箭头位置指向“ $\downarrow$ ”。

分闸位置：一次进线接通、二次回路接通，主开关断开，组件锁定，抽屉不能抽出，手柄箭头位置指向“ $\circ$ ”。

合闸位置：一、二次回路接通，主开关合闸，组件锁定，抽屉不能抽出，手柄箭头位置指向“ $\uparrow$ ”。

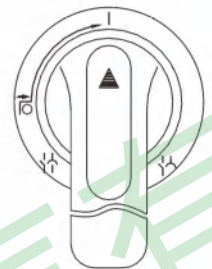
Isolation: drawer will be locked after being drawn out 30mm, primary and secondary contacts disconnected, drawer unable to push in and out, the arrow on the handle will point at “ $\downarrow$ ”

Drawout: when the primary and secondary contacts of the drawer are disconnected, the drawer can push in and out, the arrow on the handle will point at “ $\uparrow$ ”

Test: when drawer is pushed to test, with primary incoming line, secondary circuit, micro switch connected and assemble locked, main switch will be unable to switch, draw in and out, the arrow on the handle will point at “ $\downarrow$ ”

Opening: With primary incoming line and secondary circuit connected, main switch disconnected and assemble locked, drawer unable to draw out, and the arrow on the handle will point at “ $\circ$ ”

Closing: with primary and secondary circuit connected, main switch on and assembling locked, drawer will be unable to draw out, and the arrow on the handle will point at “ $\uparrow$ ”



手柄位置标记图

Handle Position Marks

此图表示操作手柄向里按动后，才能从0位置转向I位置，断路器才能分合闸

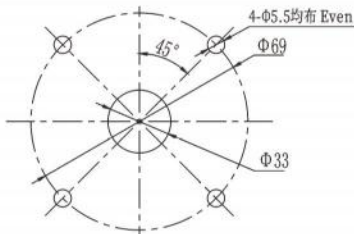
The graph means only when pressing the handle in, it can turn from position 0 to I, and circuit breaker can be on or off.

**手柄**  
Switch Handle

DJG型手柄  
DJG Handle



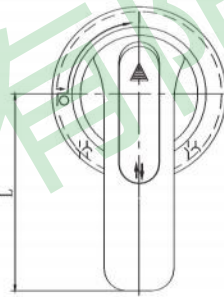
MCZJG2型手柄  
MCZJG Operating Handle



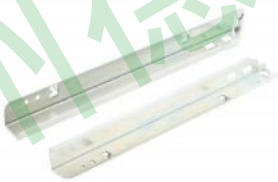
手柄安装开孔尺寸  
Handle Hole Size

名称 Description	操作手柄代号 Operating Handle No.	L
6SB1手柄 Handle	DJG-6SB.1	65
6SB5手柄 Handle	DJG-6SB.2	80
6SB3手柄 Handle	DJG-6SB.3	95
6SB2手柄 Handle	DJG-6SB.4	125

名称 Description	操作手柄代号 Operating Handle No.	L
MCZJG2型手柄 MCZJG Operating Handle	MCZJG2-1MB	65
	MCZJG2-4MB	125
	MCZJG2-3MB	95
	MCZJG2-5MB	80



**抽屉左右导轨**  
Drawer left and right guide rails



名称 name	型号 model	L
左右导轨 Drawer left and right guide rails	DTC-1.134	369
	DTC-1.134-1	429
	DTC-1.134-2	419
	DTC-1.134-5	469



DTC-1.13021 改进型8E-24E仪表板  
Improved 8E/24E Instrumental Plate HANL 200 003P1.1



5LS 354 001 后出线接线盒  
Back wiring box

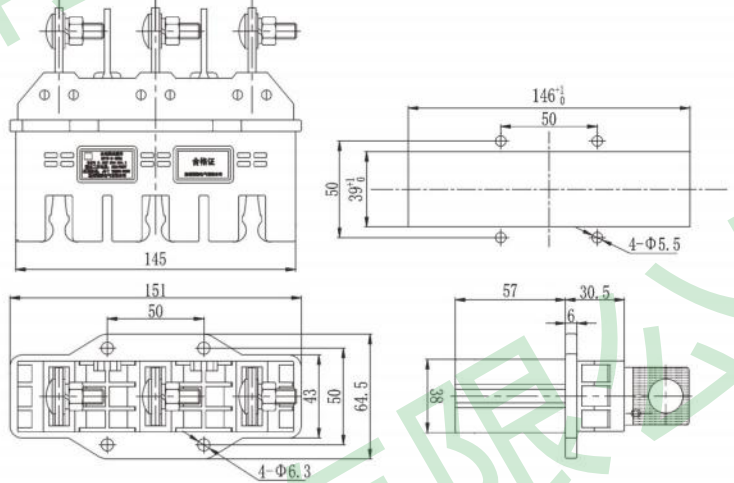
## MNS2.0半块功能板柜单元抽屉用一次动插件

MNS2.0 half functional board cabinet unit drawer with one - move plug-in

### DCT9型主电路动插件

DCT9 Primary Main Circuit Moving Connectors

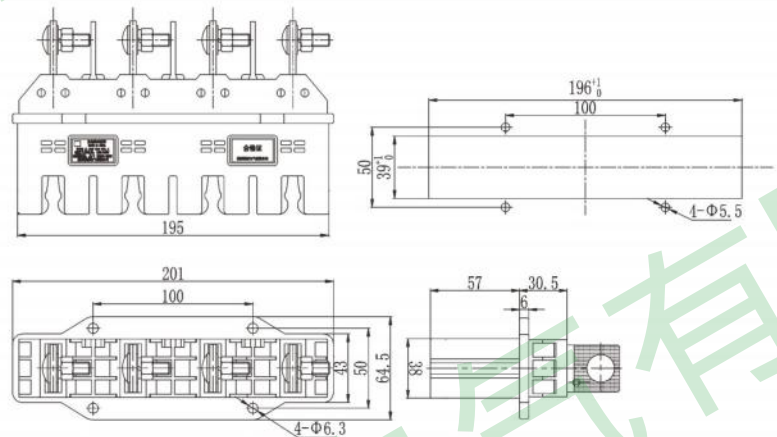
- 此系列产品用于50相距母排，母排5mm厚。
- These series connectors are mainly used for busbar phase distance 50mm, thickness 5mm



### 50相距一次动插件三极型号列表

Distance 50mm 3 Poles Primary Moving Connectors

型号 Model No.	型号(带测温) Model No(with thermometry)	电流等级 Current level
DCT9-3-125A	DCT9C-3-125A	125A
DCT9-3-250A	DCT9C-3-250A	250A
DCT9-3-400A	DCT9C-3-400A	400A



### 50相距一次动插件四极型号列表

Distance 50mm 4poles Primary Moving Connectors

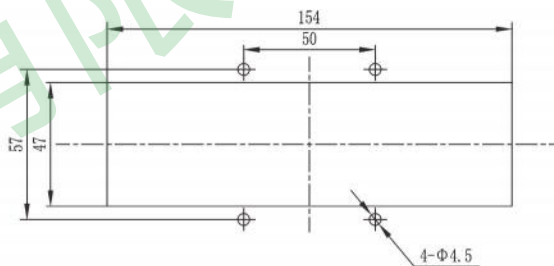
型号 Model No.	型号(带测温) Model No(with thermometry)	电流等级 Current level
DCT9-4-125A	DCT9C-4-125A	125A
DCT9-4-250A	DCT9C-4-250A	250A
DCT9-4-400A	DCT9C-4-400A	400A

### 50相距三极静插座

Distance 50MM 3 Poles Fixed Socket



三极静插座  
3 Poles fixed socket



50相距三极静插座开孔示意图  
Distance 50MM 3 Poles fixed socket dimension

### 50相距三极静插座型号列表

Distance 50MM 3Poles Fixed Socket Product List

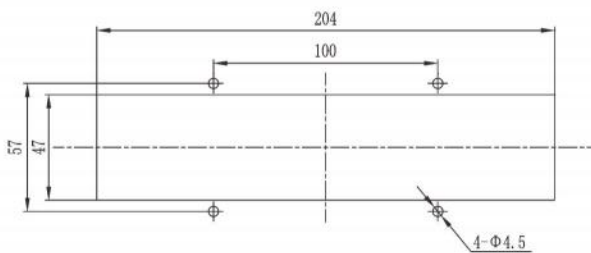
名称 Description	代号 Code	备注 Remark
250A三极静插座 250A 3 Poles fixed socket	5DY 573 007.2	相距50mm,250A×3极 Phase distance 50mm,250A×3 Poles
400A三极静插座 400A 3 Poles fixed socket	5DY 573 008.2	相距50mm,400A×3极 Phase distance 50mm,400A×3 Poles

### 50相距四极静插座

Pistance 50MM 4 Poles Fixed Socket



四极静插座  
4 Poles fixed socket



50相距四极静插座开孔示意图  
Distance 50MM 4 Poles fixed socket dimension

### 50相距四极静插座型号列表

Distance 50MM 4 Poles Fixed Socket Product List

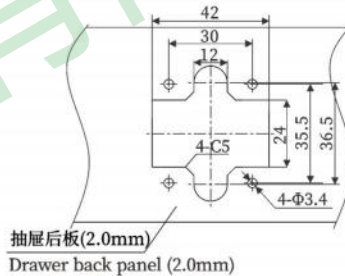
名称 Description	代号 Code	备注 Remark
250A四极静插座 250A 4 Poles fixed socket	5DY 573 007.1	相距50mm,250A×4极 Phase distance 50mm,250A×4 Poles
400A四极静插座 400A 4 Poles fixed socket	5DY 573 008.1	相距50mm,400A×4极 Phase distance 50mm,400A×4 Poles

## 通讯插件

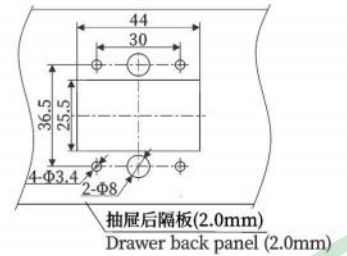
### Communication plug-in



抽屉后板动插件安装开孔尺寸图  
 Drawer rear plate dynamic plug-in  
 installation hole size



抽屉后隔板静插件安装开孔尺寸图  
 Drawer rear partition static plug-in  
 installation hole size

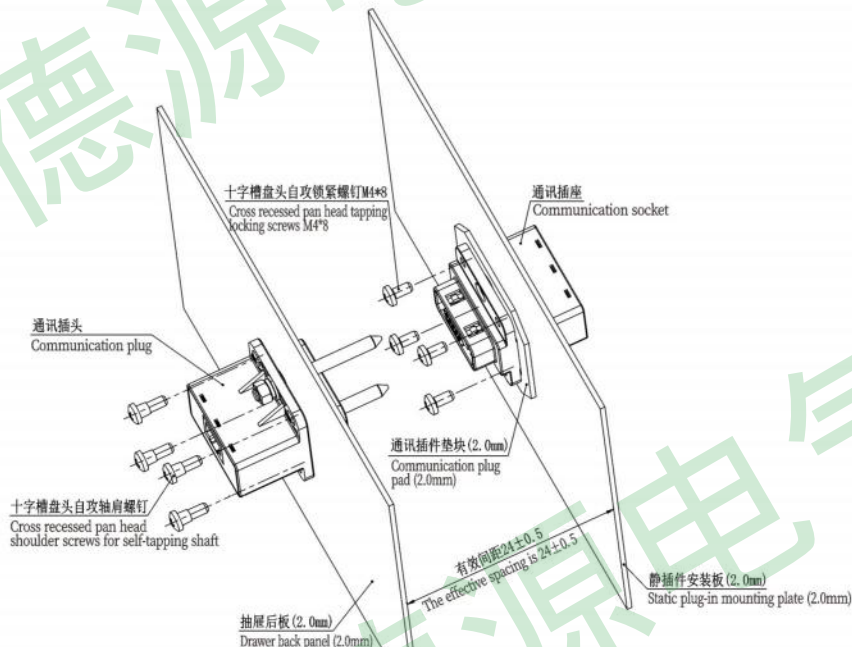


### 产品优点

- ① 通讯插件分两种接线类型:1、金属屏蔽的RJ45以太网接口;2、RS485接口;
- ② 插头与插座接插端采用DB9接口(RS485);
- ③ DB9接口与RJ45以太网接口采用特殊定制,插针镀金处理,保证接插稳定;
- ④ 插头与插座具有导向针和塑料插口双重导向,保证接插可靠;
- ⑤ 插头和插座结构全部采用金属屏蔽,保证通讯信号不收外部信号干扰,传输稳定及时;
- ⑥ 插件适用TCP/IP协议与RS485协议;
- ⑦ 插件根据通讯协议不同最大传输速率达到100Mbps;
- ⑧ 额定电压:24V额定电流:1A;
- ⑨ 与三位置延伸机构配套可实现抽屉在试验位置和连接位置连续接通。

### Product Advantages

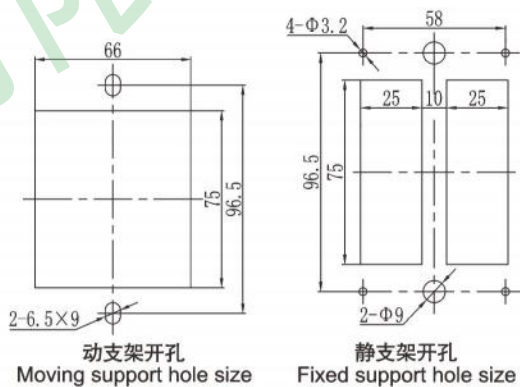
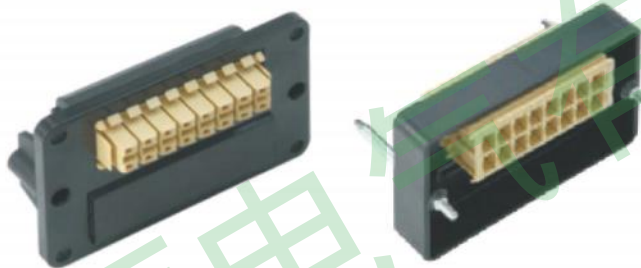
- ① There are two types of cable connections for communication plug-ins: 1. Metal shielded RJ45 Ethernet port; 2. RS485 port;
- ② The plug and socket connector adopts DB9 interface (RS485);
- ③ DB9 interface and RJ45 Ethernet interface adopt special custom, pin gold-plated treatment, to ensure the stability of the plug;
- ④ The plug and socket have double guide needle and plastic socket to ensure reliable connection;
- ⑤ The plug and socket structure are all made of metal shielding to ensure that the communication signal does not receive external signal interference, and the transmission is stable and timely;
- ⑥ The plug-in is applicable to TCP/IP protocol and RS485 protocol;
- ⑦ According to different communication protocols, the maximum transmission rate of the plug-in reaches 100Mbps;
- ⑧ Rated voltage: 24V Rated current: 1A;
- ⑨ With the three-position extension mechanism, the drawer can be connected continuously in the test position and the connecting position.



——MNS2.0/3.0低压配电柜通用附件

**MNS2.0半块功能板柜单元抽屉用二次插件**

MNS2.0 half functional board cabinet unit drawer with secondary plug-ins



- DTC-1.181 (8LS 573 165) 二次安装支架装配(静)
- DTC-1.181(8LS 573 165) Secondary assemble support (Fixed)
- DTC-1.182 (8LS 573 165.1) 二次安装支架装配(动)
- DTC-1.182(8LS 573 165.1) Secondary assemble support (moving)

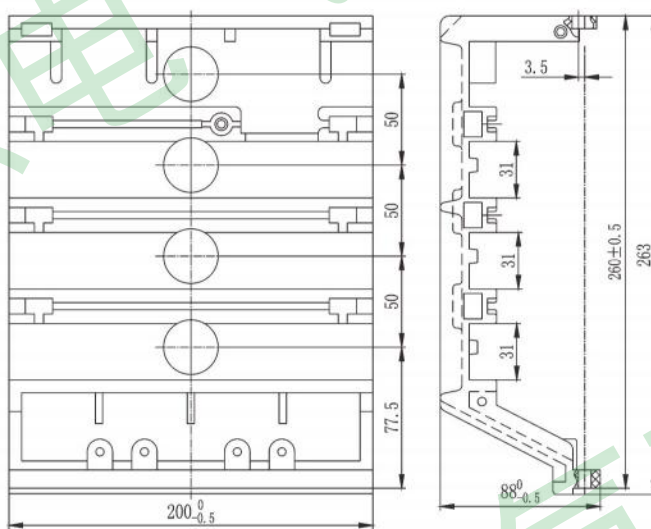
注：订货时请注明带一组或二组二次,动支架配S2EF,静支架配B2E或B3E订货时请注明。  
 Note: please advise with one or two sets of secondary plug-ins, fixed support in B2E or B3E, moving support in S2EF.

**MNS2.0半块功能板柜柜体附件**

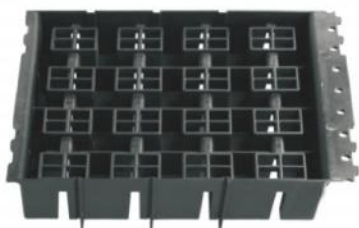
MNS2.0 half functional panel cabinet body accessories



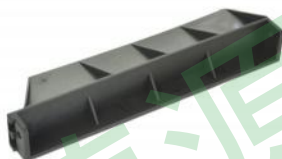
DGN-1.20001 半块功能板中端  
Half function middle part  
(8LS 060 648)



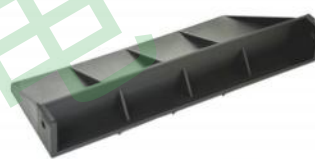
半块功能板中端外形尺寸 Half function middle part dimension



DGN-1.20002 新型汇流排衬套板  
New Type Distribution Sleeves



GLBS 301 603R1 上隔离封板  
Upper isolation sealing plate



GLBS 301 604R1 下隔离封板  
Lower isolation sealing plate

## L型垂直母线( DMNS型柜用)

### L Type Vertical Busbar (For DMNS Switchgear)

#### ■ 用途及使用方法 Function And Usage

L型垂直母线用于MCC柜中, 安装在功能板组件内, 通过铜连接件和分支母排与水平母线连接, 用做MCC柜上主电源的分配。

半块功能板用L型铜母线标准长度为1740mm

L型铜母线长度可根据要求确定。

L type vertical busbar is used in MCC cubicle, mounted inside the function board assembly, using copper fittings to connect with branch busbar and horizontal busbar, to distribute main power supply in the MCC cubicle.

Length of L type vertical busbar for half function board is 1740mm  
Length can be ordered as per request.

#### ■ 主要电气参数 Main Electrical Parameters

额定工作电压: 400V (690V)

额定工作电流: 1000A

额定短时耐受电流: 50KA

额定峰值耐受电流: 105KA

Rated operating voltage: 400V (690V)

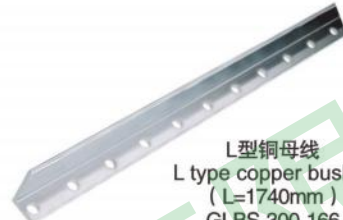
Rated operating current: 1000A

Rated short-time withstand current: 50kA

Rated peak withstand current: 105kA



L型N相铜母线  
L type N-phase copper busbar  
( L=1740mm )  
GLBS 300 167



L型铜母线  
L type copper busbar  
( L=1740mm )  
GLBS 300 166

## 通风栅

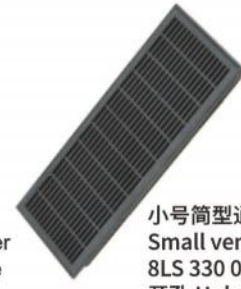
### Ventilationgrid



DTL-1.11005通风栅IP40  
Ventilation fence Ip40  
开孔:190x69  
Hole:190X69



小号通风栅  
Small ventilation fence  
GLBK 500 055P2盖 Cover  
GLBK 500 059P2底 Base  
开孔 Hole:190x 69



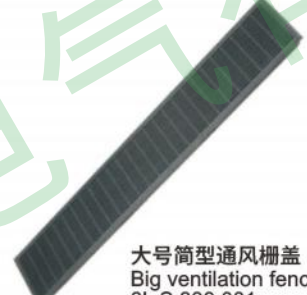
小号筒型通风栅  
Small ventilation fence  
8LS 330 002  
开孔 Hole:190x69



DTL-1.11010大号通风栅IP40  
Large ventilation grid Ip40  
开孔:449X69  
Hole:449X69



大号通风栅  
Big ventilation fence  
GLBK 500 055P1盖 Cover  
GLBK 500 059P1底 Base  
开孔 Hole: 449 X 69



大号筒型通风栅盖  
Big ventilation fence  
8L S 330 001  
开孔 Hole: 449x69

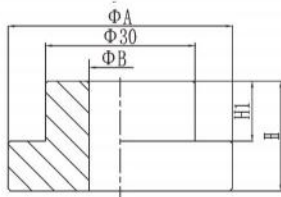


T型螺栓  
T Type Bolt

图号 Model No.	旧图号 Original Model No.	规格 Specifications	备注 Remark
DTL-1.10044	8LS MNS M10.1	M10×65	DMNS用 For DMNS
DTL-1.10045	8LS MNS M10.2	M10×75	switchgear

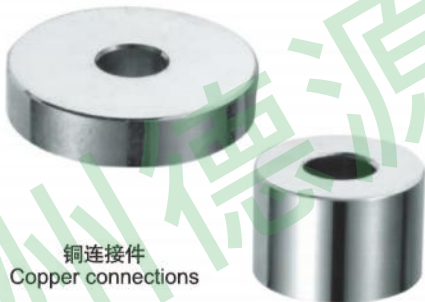
### 铜连接件 Copper Connections

- 用于开关柜中主母线与分支母线的搭接,或与T型螺栓配套用于主母线与垂直母线的搭接。
- 额定电源最大至1000A。
- It is mainly used in connection of main busbar and branch busbar, or match with T type Bolt as connection of main busbar and branch busbar
- The rated current is up to 1000A.



铜连接件  
Copper connections

型号 Model No.	H	H1	A	B
DTL-1.10005	20	10	45	11
DTL-1.10006	23	9	40	
DTL-1.10002				12.5



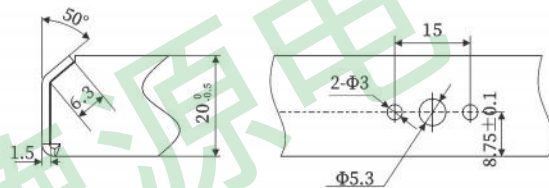
铜连接件  
Copper connections

型号 Model No.	规格 Specifications	孔径 Hole diameter
GLBS 300 179P1	Φ30×20	Φ12.5
GLBS 300 179P1G	Φ45×20	
GLBS 300 179P2	Φ30×30	
GLBS 300 179P2G	Φ45×30	
GLBS 300 179P3	Φ30×40	
GLBS 300 179P3G	Φ45×40	
GLBS 300 179P4	Φ30×10	
GLBS 300 179P4G	Φ45×10	

### 大门铰链 The door hinge



DLT1.171 大门暗铰链  
DLT1.171 Door Concealed Hinge





DTC-1.1321 MNS抽屉门铰链  
MNS Drawer hinge  
(GLBK 410 001)



MNS抽屉侧板门 MNS Drawer side plate latch  
1. 8E门 latch HANL 200 015P1 (DTC-1.13102)  
2. 16E门 latch HANL 200 015P2 (DTC-1.14102)  
3. 24E门 latch HANL 200 015P3 (DTC-1.14102-1)



GLBK 300 101.1(大Large)  
GLBK 300 101.2(小Small)  
横梁封板Cross closing plate



MNS抽屉侧板附件 MNS Drawer Side Wall Accessories

- 1.轴承 Bearing  $\Phi 28$
- 2.轴 Axle HANL 200 021.1 (DTC-1.13108)
- 3.轮轴 Shank HANL 200 021.2 (DTC-1.13106)
- 4.轮 Wheel HANL 200 021.3 (DTC-1.13107)
- 5.门轴 Latch pin HANL 200 022.1 (DTC-1.13103)
- 6.销钉 Pin HANL 200 022.2 (DTC-1.13104)
- 7.弹簧 Spring HANL 200 022.3 (DTC-1.13105)
- 8.锁钩 Lock hook DTC-1.13202
- 9.塑料轴承 Plastic Bearing DJG-2.11112



金属零件  
Metal Parts



DTL-1.10050 移位带定位角板(下)  
Dislocated positional Bracket(Lower)  
(GLBK 400 007P1.1)



DTL-1.10051 移位带定为角板(上)  
Dislocated positional Bracket(upper)  
(GLBK 400 007P1.2)



DTL-1.10047 压板  
pressing plate  
(GLBK 400 004P2)



DTL-1.10048 撑角(撑板)  
Bracket (support)(GLBK 400 006P1)



DJL-1.11 小门铰链  
Small door hinge (GLBK 410 027R1)



DLT1.11001 连接支架  
Connecting bracket

## DMNS型抽屉 DMNS Type Modular Drawer

### ■ 抽屉规格 Drawer Specification

8E/4抽屉、8E/2抽屉  
8E/4 Drawer, 8E/2 Drawer

### ■ 主要电气参数 Main Technical Data

额定工作电压:主回路400V/690V;  
辅助回路220V/380V(直流110V)  
额定电流: 8E/4(32A); 8E/2(63A);  
额定绝缘电压: 660V  
Rated Operating Voltage: main circuit 400V/690V  
Auxiliary circuit 220V/380V(DC110)  
Rated Current: 8E/4(32A); 8E/2(63A);  
Rate Insulation Voltage: 660V



8E/4 抽屉  
8E/4 Drawer



8E/2 抽屉  
8E/2 Drawer



8E/4插件后板  
8E/4 Back plate of plugins

名称 Description	型号及规格 Model No.	电缆 Wires	备注 Remarks
8E/4插件后板 8E/4 Back plate of plugins	GLBS 200 523R1	6mm <sup>2</sup>	32A
	GLBS 200 523R11	6mm <sup>2</sup>	32A带N线 32A with N wires

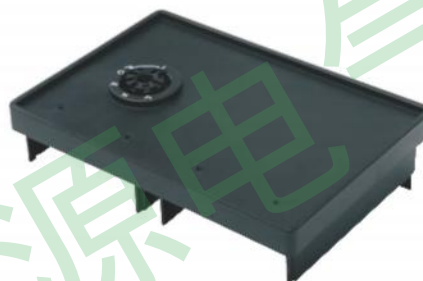


8E/2插件后板  
8E/2 Back plate of plugins

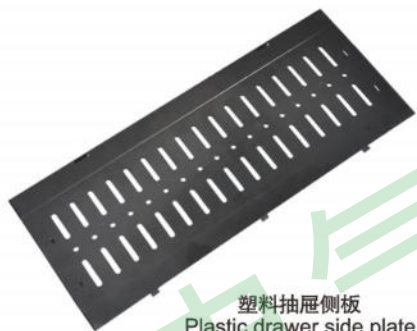
名称 Description	型号及规格 Model No.	电缆 Wires	备注 Remarks
8E/2插件后板 8E/2 Back plate of plugins	GLBS 200 523R2	6mm <sup>2</sup>	32A
	GLBS 200 523R5	10mm <sup>2</sup>	63A
	GLBS 200 523R15	10mm <sup>2</sup>	63A带N线 63A with N wires
	GLBS 200 523R12	6mm <sup>2</sup>	32A带N线 32A with N wires



DTC-1.11001 8E/4仪表板  
8E/4 Instrumental Plate HANL 200 059 P1

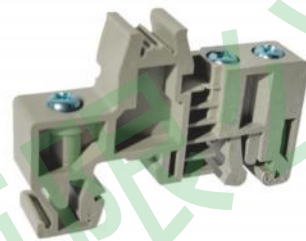


DTC-1.12001 8E/2仪表板  
8E/2 Instrumental Plate HANL 200 060 P1


 塑料抽屉侧板  
Plastic drawer side plate

名称 Description	型号及规格 Model No.	备注 Remarks
塑料抽屉侧板 Plastic drawer side plate	DTC-1.11003	400深抽屉 400MM Depth Drawer
	DXTC-1.33002	450深抽屉 450MM Depth Drawer
	DTC-1.11003-1	500深抽屉 500MM Depth Drawer


 DTC-1.114  
拉手带标牌架  
Handle with sign rack

 DTC-1.114-1  
拉手带标牌架  
Handle with sign rack

 DTC-1.112-1  
停档Stop Collar  
JG-10B

 DTC-1.113  
底座Base  
MNS-3-027R1

 DTC-1.11004  
前档Front Plate  
HANL 200 002P1

 DXTC-1.33103  
安装板限位件  
Mounting Plate Stopper

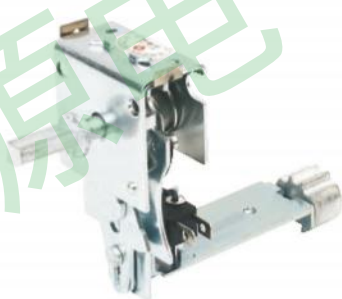
 抽屉铝导轨  
Drawer Aluminum Guide Rail

名称 Description	型号及规格 Model No.	备注 Remarks
抽屉铝导轨 Drawer Aluminum Guide Rail	DTC-1.11002	400深抽屉 400MM Depth Drawer
	DTC-1.11002-1	500深抽屉 500MM Depth Drawer
	DTC-1.11002-5	450深抽屉 450MM Depth Drawer



8E/4、8E/2抽屉导轨  
8E/4 Drawer, 8E/2 Drawer, Guide Rail

名称 Description	型号及规格 Model No.	备注 Remarks
8E/4、8E/2 抽屉导轨 8E/4 Drawer, 8E/2 Drawer, Guide Rail	DTC-1.11005	400/450深抽屉用 400/450 MM Depth Drawer
	DTC-1.11006	500深抽屉用 500MM Depth Drawer



小联锁  
Interlocking Device

名称 Description	型号及规格 Model No.	备注 Remarks
小联锁 Interlocking Device	DJG-4.11	一开一闭 1-On 1- OFF
	DJG-4.11-1	二开二闭 2-On 2- OFF
	DJG-4.13	带电操 With motor operation



DJG-5 齿轮传动结构大联锁  
(与原结构大联锁相比增大了塑料仪表板的开孔区域)  
DJG-5 interlocking device with Gear driven  
(Compared with older ones, More space for Hole sizes of the instrumental plate .)

名称 Description	型号及规格 Model No.	备注 Remarks
大联锁 Interlocking Device	DJG-5.1	1开1闭 1-On 1- OFF
	DJG-5.1-1	无公共点 Without public
	DJG-5.1-2	无辅开 Without Auxiliary Switch
	DJG-5.1-9	2开2闭 2-On 2- OFF
	DJG-5.3	带电操1开1闭 With motor 1-On 1- OFF
	DJG-5.3-1	带电操2开2闭 With motor 2-On 2- OFF

### DMNS型抽屉 DMNS Modular Drawer

#### ■ 抽屉规格 Drawer Specification

8E抽屉、16E抽屉、24E抽屉  
8E Drawer, 16E Drawer, 24E drawer

#### ■ 出线方式 Wiring Method

侧出线和后出线两种 Side wiring and Back Wiring

#### ■ 主要电气参数 Main Technical Datas

额定工作电压：主回路400V、690V；  
辅助回路220V、380V(直流110V)

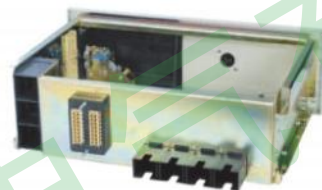
额定电流：8E-24E(最大至630A)

额定绝缘电压：660V

Rated Operating Voltage: main circuit 400V/690VAuxiliary circuit 220V/380V(DC110)Rated Current: 8E -24E (Maximum current to 630A)Rate Insulation Voltage: 660V



8E-24E抽屉 (标准型)  
8E-24E Drawer (Standard Type)



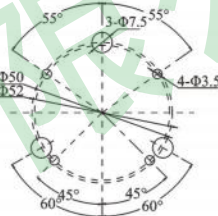
8E-24E抽屉 (安装半块功能板柜用)  
8E-24E Drawer  
(For half function board Cabinet)



8LS 200 059P1  
定位座 Location Support



8LS 200 060P1  
指示盘 Display plate



定位座开孔示意图  
Location support Hole Size Diagram



使用该产品可在金属面板上  
安装开关小手柄  
With this, you can assemble  
Handle on the metal plate



DTC-1.13003 8E-24E仪表板  
8E/24E Instrumental Plate  
(HANL 200 003P1)



DTC-1.13021 改进型8E-24E仪表板  
Improved 8E/24E Instrumental Plate  
(HANL 200 003P1.1)

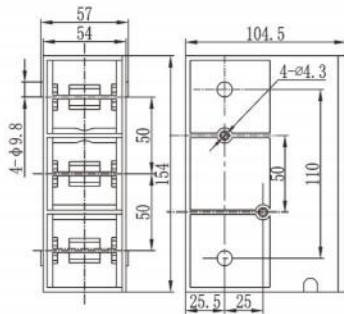


DTC-1.13008  
8E-24E封口塞头  
MNS-4-065P1  
抽屉面板  
Drawer Front Plate

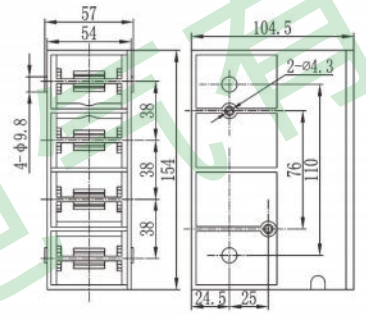
名称 Description	旧图号 Old Model No.	新图号 New Model No.
8E面板 8E Front Plate	HANL 100 007R1	DTC-1.132
16E面板 16E Front Plate	HANL 100 007R2	DTC-1.142
24E面板 24E Front Plate	HANL 100 007R3	DTC-1.152



DTC-1.18001  
出线插件盒 (3极)  
(配金属后板用)  
Outgoing plug-in box (3Poles)  
(For metal backplate)

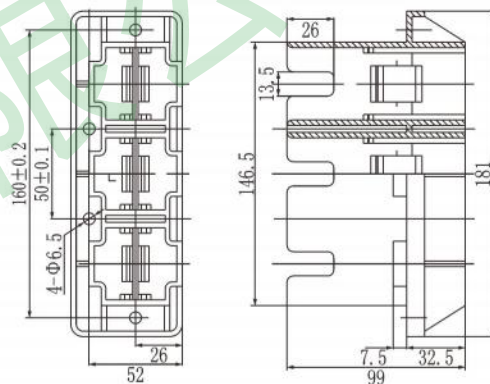


DTC-1.18001-1  
出线插件盒 (4极)  
(配金属后板用)  
Outgoing plug-in box (4Poles)  
(For metal backplate)

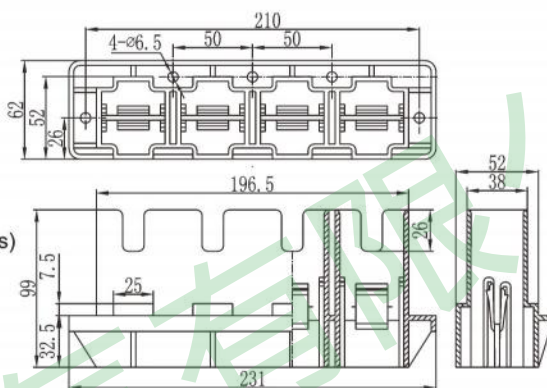




DTC-1.18002  
进线插件盒(3极)  
(配金属后板用)  
Ingoing plug - in box (3Poles)  
(For metal backplate)



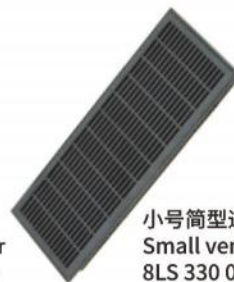
DTC-1.1 8002-1  
进线插件盒(4极)  
(配金属后板用)  
Ingoing plug - in box (4Poles)  
(For metal backplate)



DTL-1.11005通风栅IP40  
Ventilation fence Ip40  
开孔:190x69  
Hole:190X69



小号通风栅  
Small ventilation fence  
GLBK 500 055P2盖 Cover  
GLBK 500 059P2底 Base  
开孔 Hole:190x 69



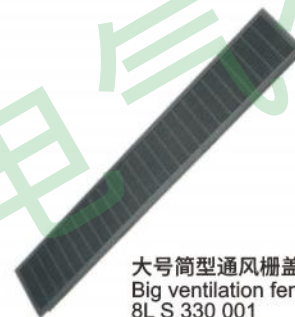
小号筒型通风栅  
Small ventilation fence  
8LS 330 002  
开孔 Hole:190x69



DTL-1.11010大号通风栅IP40  
Large ventilation grid Ip40  
开孔:449X69  
Hole:449X69



大号通风栅  
Big ventilation fence  
GLBK 500 055P1盖 Cover  
GLBK 500 059P1底 Base  
开孔 Hole: 449 X 69



大号筒型通风栅盖  
Big ventilation fence  
8L S 330 001  
开孔 Hole: 449x69



DTC-1.13001 抽屉后板-3极  
Drawer back plate- 3Poles  
GLBS 300 530P1



DTC-1.13001-1 抽屉后板-4极  
Drawer back plate-4Poles  
8LS 050 003

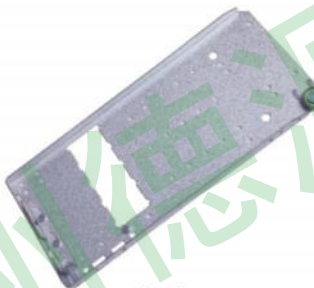


DTC-1.13001-2 后出线抽屉后板-4极  
Back wiring drawer back plate- 4Poles  
8LS 050 002



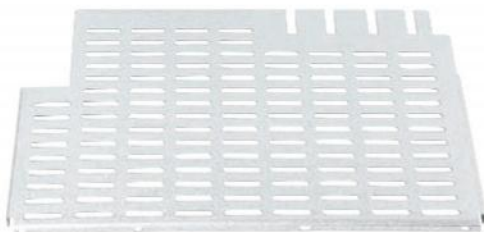
左侧板  
Left side plate

名称 Description	旧图号 Old Model No.	新图号 New Model No.
8E左侧板 8E Left side plate	HANL 200 021R1	DTC-1.133
16E左侧板 16E Left side plate	HANL 200 021R2	DTC-1.143
24E左侧板 24E Left side plate	HANL 200 021R3	DTC-1.153



右侧板  
Right side plate

名称 Description	旧图号 Old Model No.	新图号 New Model No.
8E右侧板 8E right side plate	HANL 200 022R1	DTC-1.131
16E右侧板 16E right side plate	HANL 200 022R2	DTC-1.141
24E右侧板 24E right side plate	HANL 200 022R3	DTC-1.151



DTC-1.13006-1 400深抽屉底板 400MM  
Drawer base plate(HANL 200 030P1)



DTC-1.13006 400深后出线抽屉底板 400MM  
Back wiring drawer base plate(8LS 055 001)



隔板(托板)  
Partition Plate

名称 Description	旧图号 Old Model No.	新图号 New Model No.
抽屉隔板(托板) Drawer Partition Plate	DTC-1.13010	用于400深 For 400mm
	DTC-1.13010-1	用于500深 For 500mm
	DTC-1.13010-2	用于450深 For 450mm



抽屉左右导轨  
Drawer left and right guide rails

名称 name	型号 model	L
左右导轨 Drawer left and right guide rails	DTC-1.134	369
	DTC-1.134-1	429
	DTC-1.134-2	419
	DTC-1.134-5	469



DTC-1.13013 端子架板  
Terminal Plate  
(HANL 200 040P1)



DTC -1.13011 后出线端子架板  
Back wiring terminal plate  
(8LS.150.001)



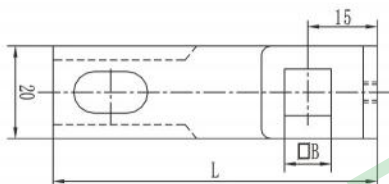
DTC-1.13015  
旁出线端子架板(活动二次)  
Side wiring terminal plate  
(moving secondary plugs)



DTC-1.13012  
后出线端子架板(活动二次)  
Back wiring terminal plate  
(moving secondary plugs)



HANL 200 069P 联锁杆(锁舌)  
Interlocking lever (locking dog)



联锁杆(锁舌) 安装示意图  
Interlocking lever (locking dog)

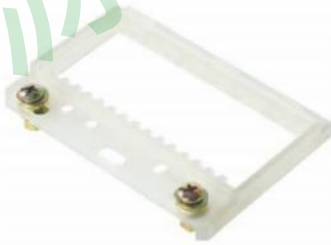
P	L	□B <sup>+0.25</sup> <sub>+0.1</sub>
1	108	
2	130	6
3	101	
4	108	
5	130	8
6	140	
7	70	
8	108	
9	130	
10	140	10
11	158	
12	173	



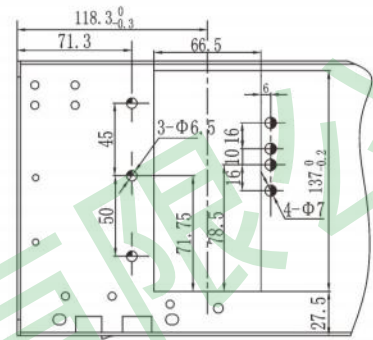
DTC-1.13005 抽屉上挡板  
Drawer Upper Baffle  
(HANL 200 012P1)



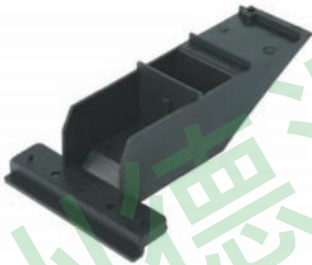
8LS 137 001 24E金属把手  
24E metal handle



DTC-1.13016 二次活动件及附件(30线)  
Secondary moving parts(30 wires)



装配二次活动件时右侧板开孔示意图  
Right side plate hole sizes



DTL-1.13019 电缆出线架  
Wiring outgoing support  
(GLBS 300 547P1)



DTC-1.13009 后出线导线架  
Back wiring support  
(8LS 333 001)



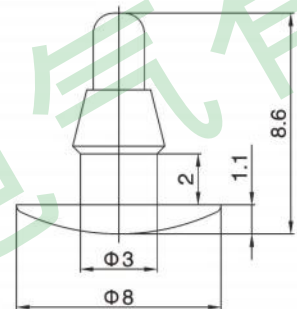
5LS 354 001 后出线接线盒  
Back wiring box



8LS 511 001 后出线L型铜母线  
Back wiring L copper bars  
8LS 511 002 后出线N相铜母线  
Back wiring N copper bars



DTL-2.10001 减震塞头  
Damping stopper



减震塞头尺寸示意图  
Damping stopper sizes

## DMNS柜用小单元转接件 DMNS Switchgear Small Unit Modular Conductor

### 产品优点 Advantages

- 8E/4、8E/2侧出线(后置式)转接件用于DMNS型抽屉柜小单元抽屉的主回路和控制回路与分支母线的连接。
- 经济型8E/4、8E/2转接件用于经济型DMNS柜,与标准DMNS全塑型抽屉配套,同时与汇流排夹系列(8LS 750 021等附件)及DC系列主电路接插件(125A-630A)配套
- 转接件每组主回路配16芯二次接插件
- 8E/2转接件每组主回路配32芯二次接插件
- 额定电压:400V(690V)
- 额定电流:125A
- 8E/4,8E/2 side outgoing (rear-mounted) condapter is mainly used for connection of main circuit and control circuit in DMNS drawer switchgear
- Economical type 8E/4, 8E/2 condapter is mainly used for DMNS switchgear, are matced to standard DMNS full plastic drawers,same with busbar clip series(8LS750 021 accessories) and DC series main circuit connectors(125A-630A)
- Each primary loop of the condapter match 16-core secondary connector
- Each primary loop of 8E/2 condapter match 16-core secondary connector
- Rated voltage: 400V(690V)
- Rated current: 125A



8E/2、8E/4侧出线转接件  
8E/2, 8E/4 side outgoing condapter

名称 Description	型号(标准型) Model No. (Standard Type)	型号(经济型) Model No. (Economical Type)	备注 Remark
8E/4转接件 8E/4 Condapter	GLBS 200 516R1	GLBS 200 516R1G	
	GLBS 200 516R2	GLBS 200 516R2G	带N线 With N wires
8E/2转接件 8E/2 Condapter	GLBS 200 516R4	GLBS 200 516R4G	
	GLBS 200 516R6	GLBS 200 516R6G	带N线 With N wires



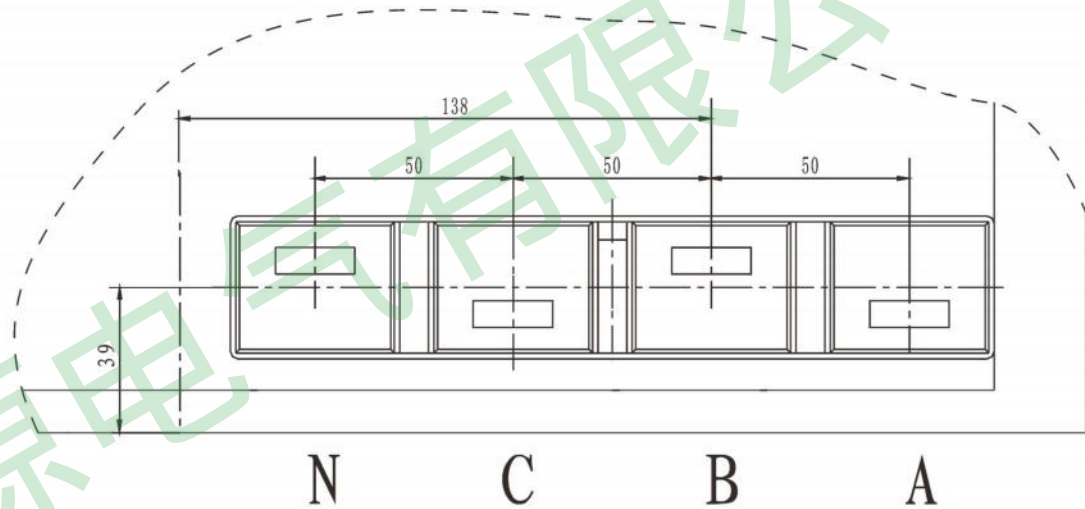
1000mm深后置式转接件  
8E/2、8E/4后置式转接件  
8E/2, 8E/4 rear mounted condapter  
for 1000mm depth Switchgear

名称 Description	型号(标准型) Model No. (Standard Type)	型号(经济型) Model No. (Economical Type)	备注 Remark
8E/4转接件 (1m深柜用) 8E/4 Condapter (1000mm Switchgear)	5LS 552 001R1	5LS 552 001R1G	
	5LS 552 001R2	5LS 552 001R2G	带N线 With N wires
8E/2转接件 (1m深柜用) 8E/2 Condapter (1000 Switchgear)	5LS 552 002R4	5LS 552 002R4G	
	5LS 552 002R6	5LS 552 002R6G	带N线 With N wires

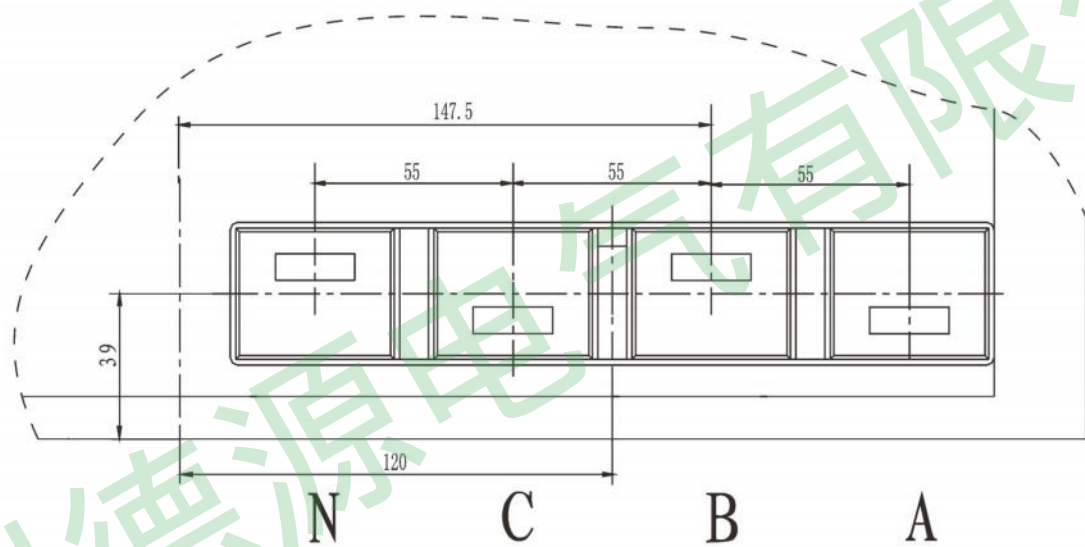


800mm深后置式转接件  
8E/2、8E/4后置式转接件  
8E/2, 8E/4 rear mounted condapter  
for 800mm depth Switchgear

名称 Description	型号(标准型) Model No. (Standard Type)	型号(经济型) Model No. (Economical Type)	备注 Remark
8E/4转接件 (0.8m深柜用) 8E/4 Condapter (800mm Switchgear)	5LS 552 001R1.1	5LS 552 001R1.1G	
	5LS 552 001R2.1	5LS 552 001R2.1G	带N线 With N wires
8E/2转接件 (0.8m深柜用) 8E/2 Condapter (800mm Switchgear)	5LS 552 002R4.1	5LS 552 002R4.1G	
	5LS 552 002R6.1	5LS 552 002R6.1G	带N线 With N wires



标准型转接件进线部分相距尺寸示意(后视图)  
Pole distance drawings of incoming Standard condapter



经济型转接件进线部分相距尺寸示意(后视图)  
Pole distance drawings of incoming economical condapter

### 定货须知 Order Instructions

- ① 订购转接件时必须注明产品规格、型号,最好注明是否为标准型或经济型
- ② 订购混装型转接件时必须在备注上注明详细
- ③ 订购非标电流的转接件时,请注意转接件的总进线电流不能大于125A
- ④ 当柜体深度为1m,做后出线抽屉深度为500mm时,转接件勿必配套800mm柜深的转接件或者-、二次电缆线外留,外留长度自定
- ⑤ 当柜体深度为600mm,做后出线抽屉深度为400mm时,转接件-、二次电缆相关勿必外留,外留长度自定
- ⑥ 当柜体深度为800mm,做后出线抽屉深度为500mm时,转接件-、二次电缆相关勿必外留,外留长度自定

1. Please indicate the model no., specifications, and standard or economical type
2. When mix type condapter, please indicate all the details
3. When order non-standard current condapter, please notify total incoming current not big than 125A
4. When switchgear depth 1M, back wiring drawer depth 0.5M, please order 800MM switchgear depth condapter or keep the cables of primary and secondary plugs as per requirements.
5. When switchgear depth 0.6M, back wiring depth 0.4M, please keep the cables of primary and secondary plugs as per requirements.
6. When switchgear depth 0.8M, back wiring depth 0.5M, please keep the cables of primary and secondary plugs as per requirements.

## DMNS电缆组件主要电气参数

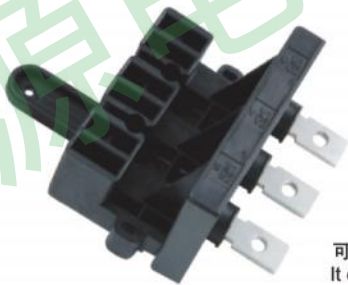
### DMNS Cable Connection Main Technical Parameter

#### ■ 侧出线电缆组件 Side Outgoing Cable Connection Unit

- ① 用于半块功能板DMNS型MCC后出线柜8E、16E、24E抽屉主回路与出线电缆的连接  
抽屉主回路电流最大可至630A
- ② 安装在功能单元室与母线室之间金属隔板及其中立柱上
- ① Used in half function board DMNS type MCC outgoing switchgear 8E, 16E, 24E drawer loops and outgoing cable connection
- ② Drawer main loops maximum current to 630A assembled on the metal plate and stand of the function unit and busbar on the stand

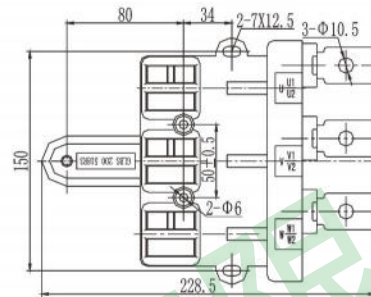
#### ■ 主要电气参数 Main Technical Data

额定电压：400V (690V)  
 额定工作电流：125A、250A、400A  
 Rated voltage: 400V (690V)  
 Rated current: 125A, 250A, 400A



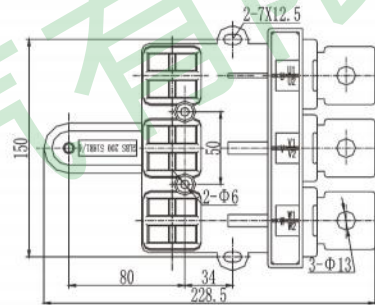
DDJ-1.11  
 GLBS 200 518R3  
 三极电缆组件 (125A)  
 3 Poles Cable connection unit (125A)

可用DZJ3.0-160A/3转接件-3P替代使用  
 It can be replaced by DZJ3.0-160A/3 Poles



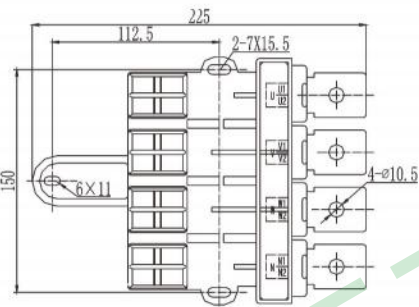
DDJ-1.12  
 GLBS 200 518R1/4  
 三极电缆组件 (400A)  
 3 Poles Cable connection unit (400A)

可用DZJ3.0-400A/3转接件-3P替代使用  
 It can be replaced by DZJ3.0-400A/3 Poles



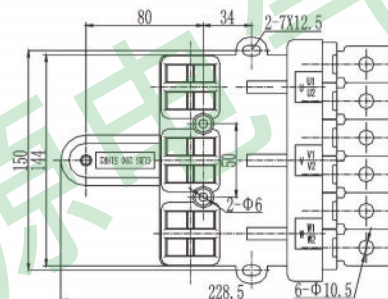
DDJ-1.13  
 5LS 064 001  
 四极电缆组件 (250A)  
 4 Poles Cable connection unit (250A)

可用DZJ3.0-250A/4转接件-4P替代使用  
 It can be replaced by DZJ3.0-250A/4 Poles



DDJ-1.14  
 GLBS 200 518R2  
 六极电缆组件 (125A)  
 6 Poles Cable connection unit (150A)

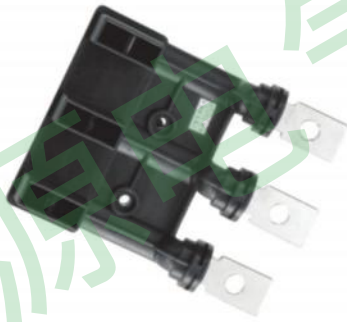
可用DZJ3.0-160A/6转接件-6P替代使用  
 It can be replaced by DZJ3.0-160A/6 Poles



## 棒型电缆组件 Rod Type Cable Connection Unit

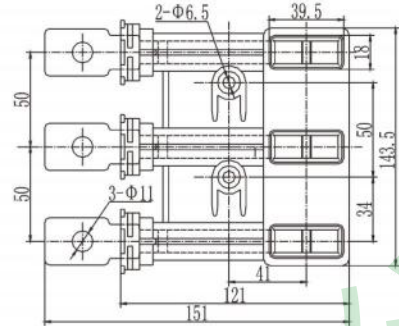
用于安装半块功能板DMNS的侧出线MCC柜8E、16E、24E抽屉主回路与外接电缆的连接  
 抽屉主回路电流最大可至630A  
 安装在功能单元室与电缆室之间的中立柱上  
 制作12E抽屉时，它不受原来汇流排衬套板的限制

Used for connection of the drawer main loops and outgoing cables of half function DMNS Side wiring MCC switchgear 8E, 16E, 24E drawer  
 Drawer main loops maximum current to 630A  
 assembled on the middle pillar between function unit room and cable room  
 when in 12E drawer, the busbar sleeves do not have limit



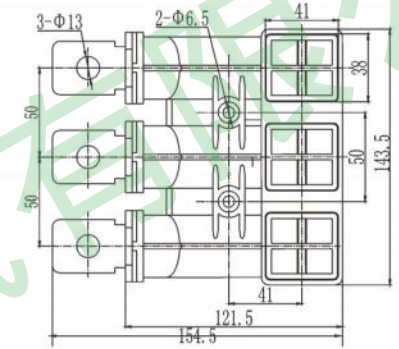
DDJ-2.11  
 5LS DLZJ 125  
 棒型电缆组件 ( 125A )  
 Rod type cable connection unit(125A)

可用DZJ3.0-160A/3转接件-3P替代使用  
 It can be replaced by DZJ3.0-160A/3 Poles



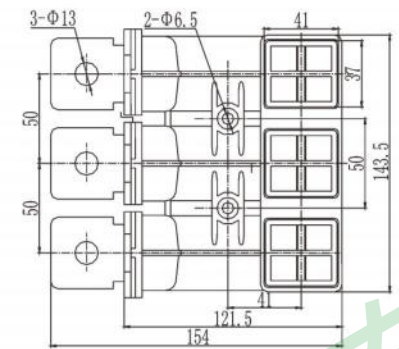
DDJ-2.12  
 5LS DLZJ 250  
 棒型电缆组件 ( 250A )  
 Rod type cable connection unit(250A)

可用DZJ3.0-250A/3转接件-3P替代使用  
 It can be replaced by DZJ3.0-250A/3 Poles



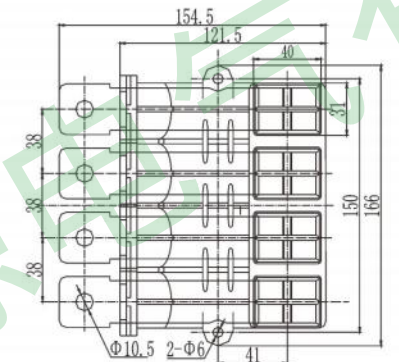
DDJ-2.13  
 5LS DLZJ 400  
 棒型电缆组件 ( 400A )  
 Rod type cable connection unit(400A)

可用DZJ3.0-400A/3转接件-3P替代使用  
 It can be replaced by DZJ3.0-400A/3 Poles



DDJ-2.14  
 5LS DLZJ 250/4  
 四极棒型电缆组件 ( 250A )  
 Rod type cable connection unit(250A)

可用DZJ3.0-250A/4转接件-4P替代使用  
 It can be replaced by DZJ3.0-250A/4 Poles



**组装式后置式电缆组件(A型)**

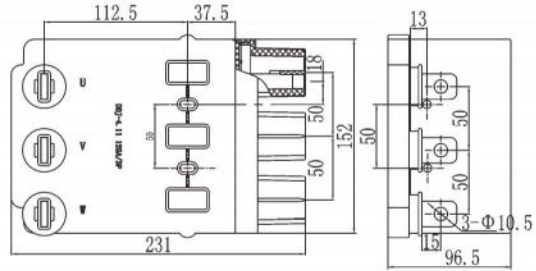
**Assemble Type Rear-mounted Cable Connection Unit (type A)**

**产品优点 Advantages**

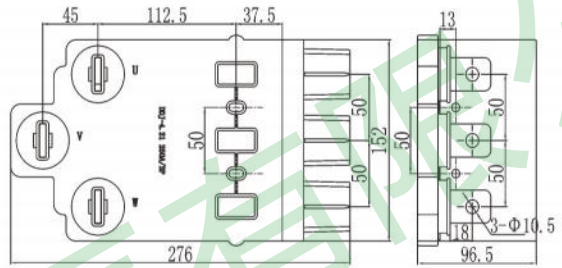
- ① 用于DMNS标准型功能板后出线MCC柜8E-24E抽屉主回路与出线电缆的连接
- ② 抽屉主回路电流最大可至400A
- ① It is used in the connections of main loops and outgoing cable in MCC switchgear and 8E- 24E drawer
- ② Drawer main circuit current up to 400A



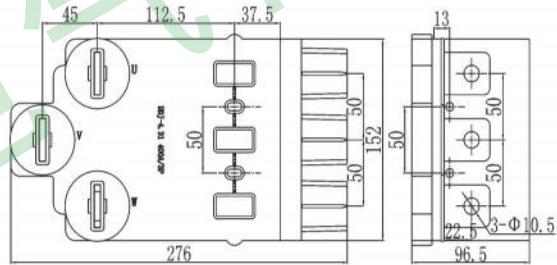
DDJ-4.11 125A/3P  
组装后置式电缆组件  
Assemble type rear-mounted  
cable connection unit



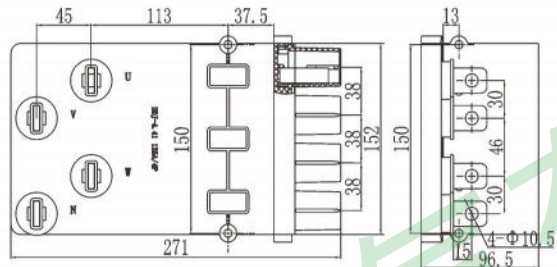
DDJ-4.21 250A/3P  
组装后置式电缆组件  
Assemble type rear-mounted  
cable connection unit



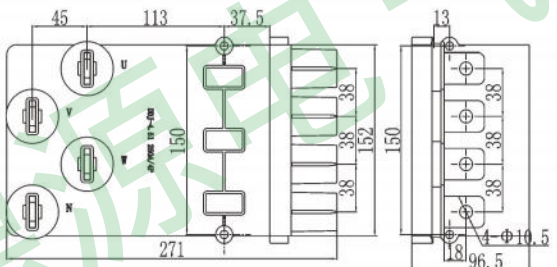
DDJ-4.31 400A/3P  
组装后置式电缆组件  
Assemble type rear-mounted  
cable connection unit



DDJ-4.41 125A/4P  
组装后置式电缆组件  
Assemble type rear-mounted  
cable connection unit



DDJ-4.51 250A/4P  
组装后置式电缆组件  
Assemble type rear-mounted  
cable connection unit

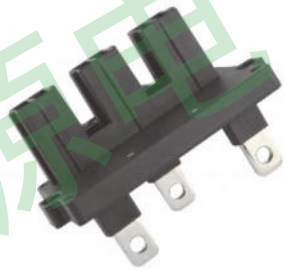


## 组装式后出线电缆组件(B型)

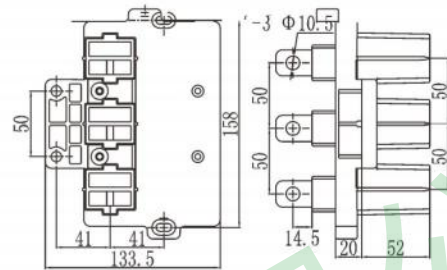
### Assemble Type Rear-mounted Cable Connection Unit (TYPE B)

#### ■ 产品优点 Advantages

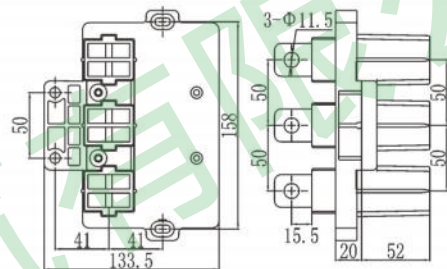
- ① 用于半块功能板DMNS型MCC后出线柜8E、16E、24E抽屉主回路与出线电缆的连接
  - ② 抽屉主回路电流最大可至400A
  - ③ 安装在功能单元室与母线室之间金属隔板及其中立柱上
- ① It is used in the connections of main loops and outgoing cable in MCC switchgear and 8E-24E drawer
  - ② Drawer main circuit current up to 400A
  - ③ assembled on the middle pillar between function unit room and cable room



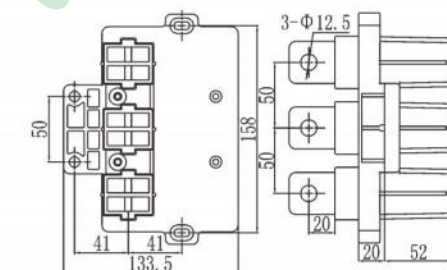
DDJ-3.11 125A/3P  
 组装式后出线电缆组件  
 Assemble type rear-mounted  
 cable connection unit



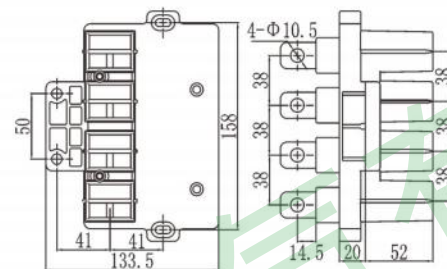
DDJ-3.21 250A/3P  
 组装式后出线电缆组件  
 Assemble type rear-mounted  
 cable connection unit



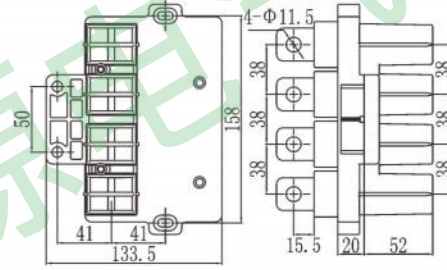
DDJ-3.31 400A/3P  
 组装式后出线电缆组件  
 Assemble type rear-mounted  
 cable connection unit



DDJ-3.41 125A/4P  
 组装式后出线电缆组件  
 Assemble type rear-mounted  
 cable connection unit

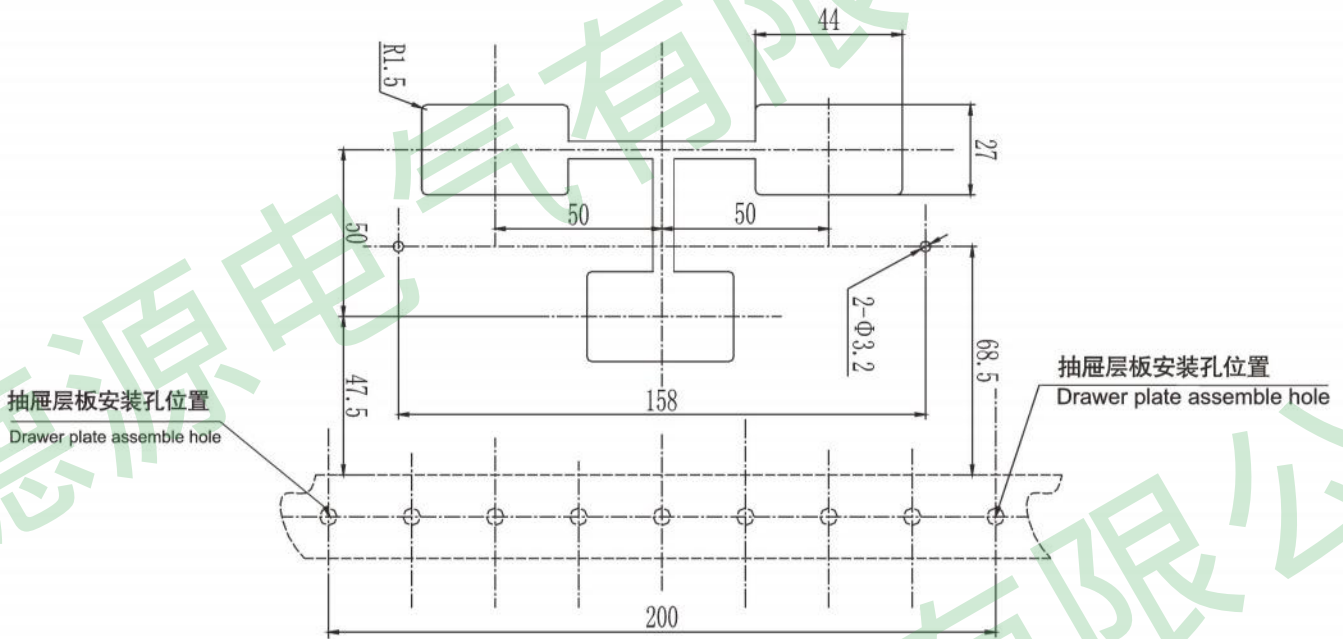


DDJ-3.51 250/4P  
 组装式后出线电缆组件  
 Assemble type rear-mounted  
 cable connection unit

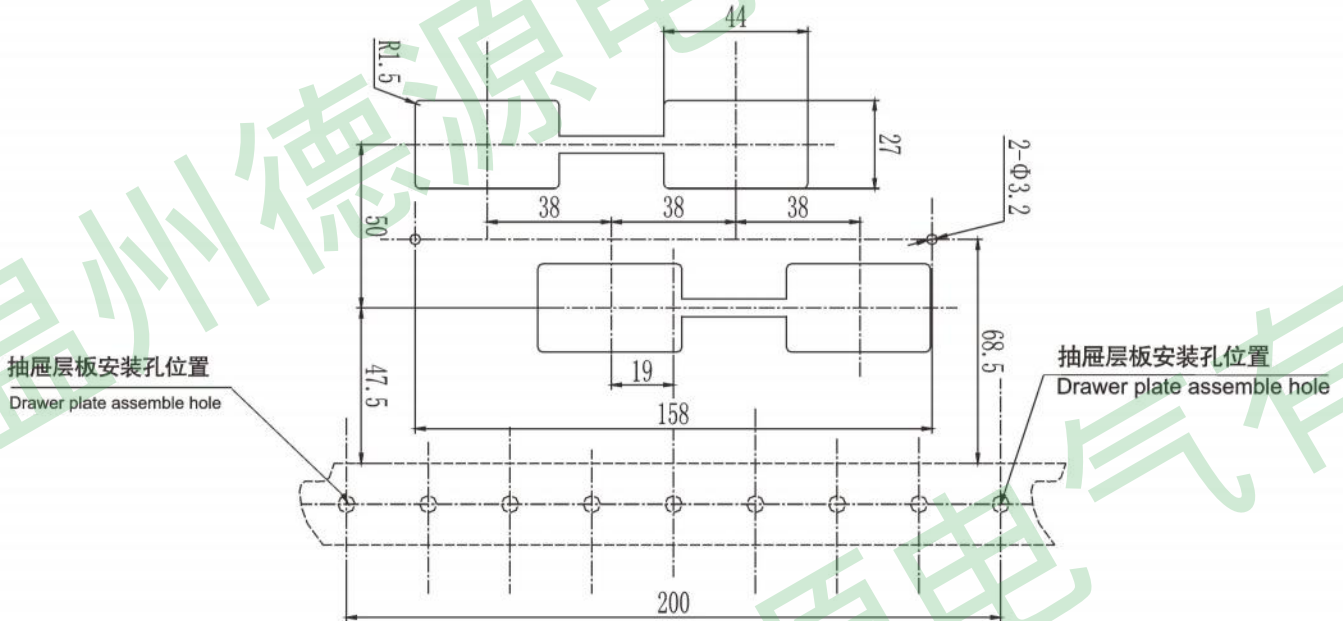


### 后出线电缆组件 (B型)

Rear-mounted Cable Connection Unit Type B



柜后隔板开孔尺寸  
Switchgear back plate hole size  
(3极后出线电缆组件用)  
(3 Poles back wiring cable connection unit)



柜后隔板开孔尺寸  
Switchgear back plate hole size  
(4极后出线电缆组件用)  
(4 Poles back wiring cable connection unit)

## 手柄操作及位置说明

### Handle Operation And Position Instruction

#### ■ 8E/4、8E/2抽屉开关小手柄操作说明

##### 8E/4, 8E/2 Drawer Switch Handle Operations

开关小手柄向里按动后, 才能从O位置转向I位置, 返回时不需推动, 只需将手柄从I旋向O位, 分闸后手柄自动弹出。

The handle will be from O to I when switch from inside; When from I to O, turn directly. And the handle will pop out automatically

#### ■ 8E-24E抽屉开关小手柄操作说明

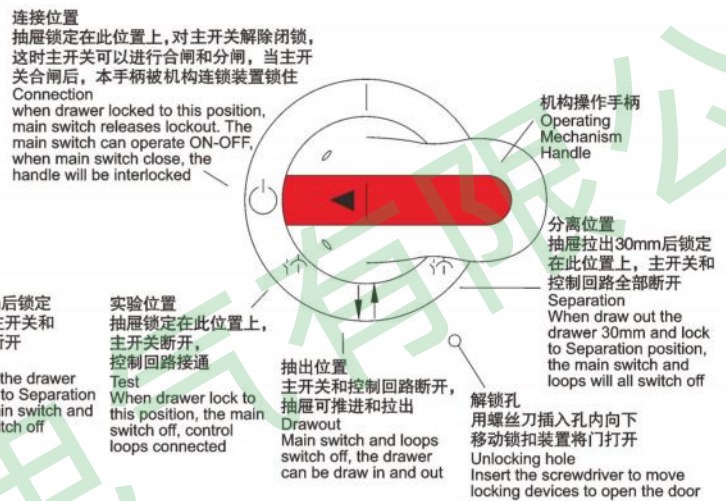
##### 8E-24E Drawer Switch Handle Operations

当开关小手柄打到连接位置时, 机构解除机械闭锁, 开关小手柄可进行合闸和分闸操作。当主开关合闸后, 开关小手柄不可进行操作。

When the handle is turned into Connection, the mechanism removes from mechanical interlocking and the handle can switch in and out. When main switch closing, the handle will be unable to operate



8E/4、8E/2抽屉开关小手柄位置图  
8E/4, 8E/2 Drawer Switch Handle Drawings



8E-24E抽屉开关小手柄位置图  
8E-24E Drawer Switch Handle Drawings

## 手柄 Switch Handle

- 手柄作为操作机构用, 与大、小连锁配套
- D型手柄可代替B型手柄使用
- The handle is for operating mechanism, match with interlocking mechanism.
- Type D handle can be replaced by Type B



HANL 100 018R1 B型小手柄  
Type B switch handle



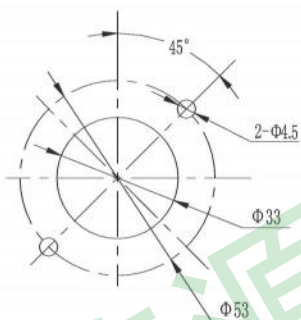
5DY 100 001 D型小手柄  
Type D switch handle



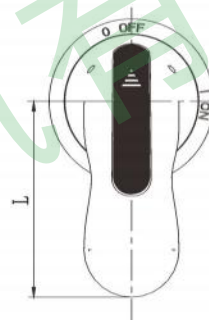
D型手柄  
D Switch handle



B型手柄  
B Switch handle



B(D)型手柄安装尺寸  
B(D) switch handle sizes



名称 Description	图号 Model No.	规格 Specification	L
D1手柄 D1 Switch handle	DSB-2.008 DSB-2.009	10×10 8×8	65
D3手柄 D3 Switch handle	DSB-2.004 DSB-2.005	10×10 8×8	95
D4手柄 D4 Switch handle	DSB-2.002 DSB-2.003	10×10 8×8	125
D5手柄 D5 Switch handle	DSB-2.006 DSB-2.007	10×10 8×8	80

名称 Description	图号 Model No.	规格 Specification	L
B1手柄 B1 Switch handle	DSB-4.001 DSB-4.001-1	8×8 10×10	65
B3手柄 B3 Switch handle	DSB-4.003 DSB-4.003-1	8×8 10×10	95
B4手柄 B4 Switch handle	DSB-4.002 DSB-4.002-1	8×8 10×10	125
B5手柄 B5 Switch handle	DSB-4.004 DSB-4.004-1	8×8 10×10	80

触针、扁形插头及扁形绝缘护套 Contact Pin, Flat Plug And Flat Insulation Sleeve



扁形绝缘护套  
Flat Insulation Sleeve



扁形绝缘护套  
Flat Insulation Sleeve



扁形插头 Flat Plug  
(2.8×0.8)



扁形绝缘护套  
Flat Insulation Sleeve



触针  
Contact Pin



扁形插头 Flat Plug  
(6.3×0.8)



B为扁形插头开口  
宽度为B=6.3和2.8  
C为线径  
B for opening of flat plug,  
width B=6.3 and 2.8;  
C for wire diameter

代号 Code	名称 Description	用于线径(mm <sup>2</sup> ) Wire diameter	备注 Remark
SV2E-1	触针 Contact Pin	1	与B2E配套使用 Match With B2E
SV2E-2		1.5~2.5	
TTLS-1		1~1.5	与S2EF、B3E、配套使用外形 Match with S2EF,B3E. size: 6.3x0.8 (6.3×0.8)
TTLS-2	扁形插头 Flat Plug	2.5	
TTLS-3		1	与B8E、配套使用外形(2.8×0.8) Match with B8E, size: 2.8x 0.8
8LS.143.005		1~1.5	与TTLS-3配套使用 Match with TTLS-3
8LS.143.006	扁形绝缘护套 Flat Insulation Sleeve	1.5~2.5	与TTLS-1、2配套使用 Match with TTLS-1,2
8LS.143.006.1		4	

## 二次接插件 Secondary Plugins

用于DMNS、GCS型低压抽出式开关柜(MCC)中辅助电路的接插和转换  
带导线的二次接插件导线线径为1.5mm<sup>2</sup>、2.5mm<sup>2</sup>二种,长度均为900mm  
B8E、B8E.4和B8E.5均可与二次活动件配套使用(二次活动件见09页)  
DTC-1.21加长二次接插件改正原来标准抽屉一、二次回路同时通断的缺陷

Used for connection and switch of the auxiliary contact in DMNS and GCS Low voltage drawer type switchgear(MCC)  
Diameter of the wire on secondary connector is 1.5mm<sup>2</sup>, 2.5mm<sup>2</sup>, and the length=900mm  
B8E,B8E.4,B8E.5 can be all used for matching the secondary moving parts.  
DTC-1.21 lengthen secondary connectors improved on the defect that primary and secondary circuit OFF at same time



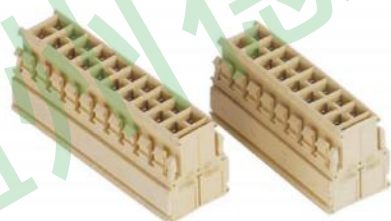
B2E(8片、10片)  
(8 Contacts、10 Contacts)



B3E (8片)  
(8 Contacts)



S2E (8片、10片)  
(8 Contacts、10 Contacts)



S2EF (8片、10片)  
(8 Contacts、10 Contacts)



B8E(8片、16片)  
(8 Contacts、16 Contacts)



S8E (8片、16片)  
(8 Contacts、16 Contacts)



B8E.2 带导线 (8片、16片)  
B8E2 with wires (8 Contacts、16 Contacts)

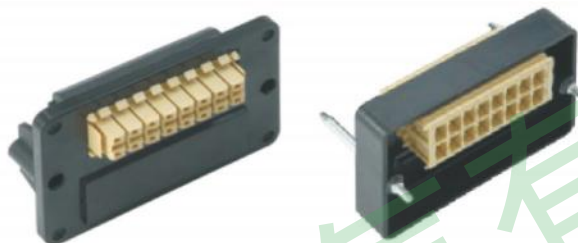


B8E.4带导线  
B8E4 with wires



B8E.5 (8片、10片)  
B8E.5 with wires (8 Contacts、10 Contacts)

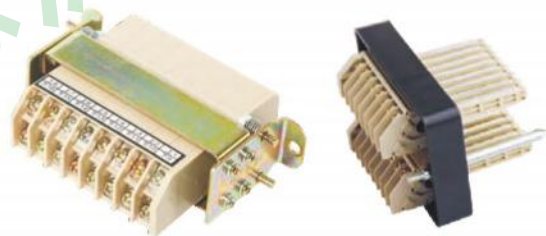
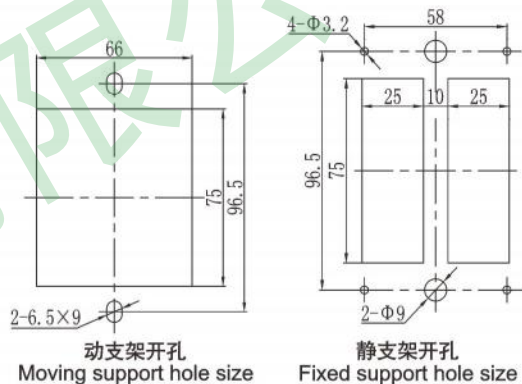
## ——MNS2.0/3.0低压配电柜通用附件



DTC-1.181 (8LS 573 165) 二次安装支架装配(静)  
DTC-1.181(8LS 573 165) Secondary assemble support (Fixed)  
DTC-1.182 (8LS 573 165.1) 二次安装支架装配(动)  
DTC-1.182(8LS 573 165.1) Secondary assemble support (moving)

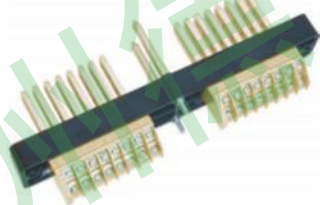
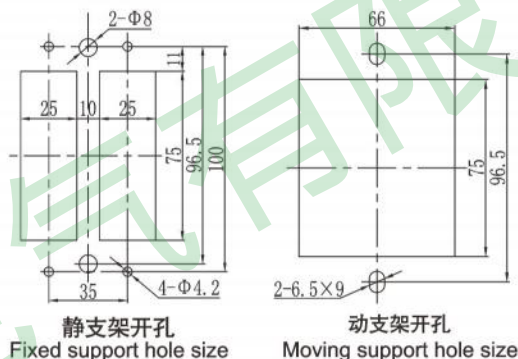
注: 订货时请注明带一组或二组二次, 动支架配S2EF, 静支架配B2E或B3E订货时请注明。

Note: please advise with one or two sets of secondary plugins, fixed support in B2E or B3E, moving support in S2EF.



DTC1.212 加长二次插座  
DTC1.212 Lengthen type secondary socket

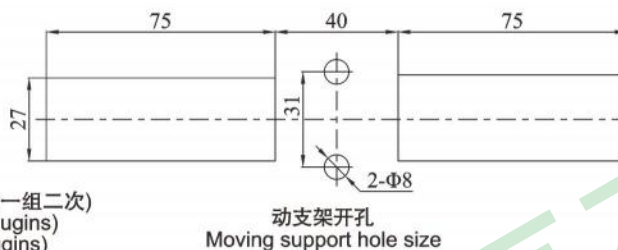
DTC1.211 加长二次插头(二组二次)  
DTC1.211-1 加长二次插头(一组二次)  
DTC1.211 Lengthen type secondary plug(2 sets secondary plugins)  
DTC1.211-1 Lengthen type secondary plug(1 set secondary plugins)



DTC1.231 加长二次插头(二组二次) DTC1.232 加长二次插头(一组二次)  
DTC1.231 Lengthen type secondary plug(2 sets secondary plugins)  
DTC1.232 Lengthen type secondary plug(1 set secondary plugins)

注: 该产品与DTC1.212配套使用

Note: It will be used with DTC1.212 secondary socket



### 二次接插件订货须知 Order Instruction

1. 订购时请注明插件的型号、名称和规格;
2. 订购B8E.2带导线和B8E.2-JH6L组合式二次接插件时, 如有与规格不相符的要求时请另加说明;
3. 订购二次接插件时, 如辅助接点与规格有出入时, 定货请加以说明;
4. 如有特殊要求时, 可与我公司有关部门联系。

1. Please note the model no., description and specification of the plugins when ordering
2. Please specify details when different specifications for B8E.2 with wires and B8E.2-JH6L combined secondary plugins
3. Please specify detailed contacts for DJCF and DRC series connectors when different requirements
4. For any special requirements, please contact us any time time.

## 一次插片

### Primary Contact



一次插片和压接铜套  
Primary contact and copper sleeve



带导线一次插片  
Primary contact with wires

## 带导线一次插片型号规格表

### Primary Contact With Wires Specifications

型号 Model No.	载流量 Current capacity	规格 Specifications	图号 Drawing no.	代号 Code
SYJ-6-32.5	32	6mm <sup>2</sup> ×500mm	DTC-1.235-1	3LS8550004R 103
SYJ-6-32.8		6mm <sup>2</sup> ×800mm	DTC-1.236-1	3LS8550004R 104
SYJ-10-50.5	50	10mm <sup>2</sup> ×500mm	DTC-1.235-2	3LS8550004R1
SYJ-10-50.8		10mm <sup>2</sup> ×800mm	DTC-1.236-2	3LS8550004R4
SYJ-16-80.5	80	16mm <sup>2</sup> ×500mm	DTC-1.235-3	3LS8550004R7
SYJ-16-80.8		16mm <sup>2</sup> ×800mm	DTC-1.236-3	3LS8550004R8
SYJ-25-100.5	100	25mm <sup>2</sup> ×500mm	DTC-1.235-4	3LS8550004R2
SYJ-25-100.8		25mm <sup>2</sup> ×800mm	DTC-1.236-4	3LS8550004R5
SYJ-35-125.5	125	35mm <sup>2</sup> ×500mm	DTC-1.235-5	3LS8550004R9
SYJ-35-125.8		35mm <sup>2</sup> ×800mm	DTC-1.236-5	3LS8550004R 10
SYJ-50-150.5	150	50mm <sup>2</sup> ×500mm	DTC-1.235-6	3LS8550004R 101
SYJ-50-150.8		50mm <sup>2</sup> ×800mm	DTC-1.236-6	3LS8550004R 102
SYJ-70-200.5	200	70mm <sup>2</sup> ×500mm	DTC-1.235-7	3LS8550004R3
SYJ-70-200.8		70mm <sup>2</sup> ×800mm	DTC-1.236-7	3LS8550004R6

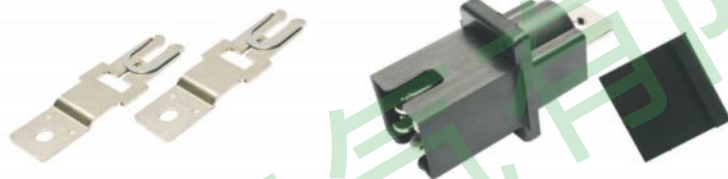
### 订货须知 Order Instruction

根据载流量大小分为7个规格用于抽屉进出线和内部电元件的连接带导线一次插片订货时请注明电流等级及连接电缆长度;

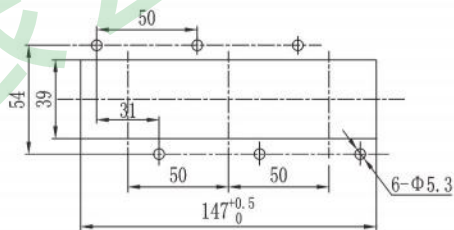
We have 7 specifications as per current capacity for choice Used for connection of Drawer incoming & outgoing and internal electrical components Please specify current ratio and length of connection cable

### 简易型MNS柜体用一次插件

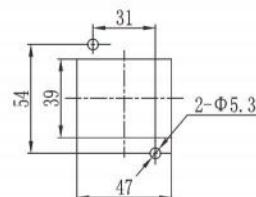
Simple Type Primary Plugs for MNS Switchgear



单极动插座 Single pole moving plugs	一次插片 Primary inserts	插座壳 Plug cover	隔板 separator	备注 Remark
5DY 573 003.3	8DY 550 004.1	8DY 573 004	8DY 750 018	母排5mm,250A Busbar
5DY 573 003.1	8DY 550 004.1			母排5mm,400A Busbar
5DY 573 003.4	8DY 550 004.2			母排6mm,250A Busbar
5DY 573 003.4	8DY 550 004.3			母排6mm,250A Busbar
5DY 573 003.2	8DY 550 004.3			母排6mm,400A Busbar



50相距三极动插座开孔示意图  
Pole distance 50mm 3P moving plugs



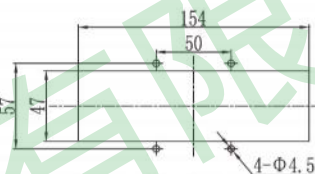
单极动插座开孔示意图  
Single pole moving plugs hole sizes



三(四)极静插座  
3(4)P Fixed plugs

### 50相距三(四)极静插座 Pole Distance 50MM 3(4)P Fixed Plugs

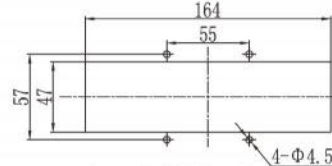
名称 Description	代号 Model No.	备注 Remark
250A三极静插座 3P fixed plugs	5DY 573 007.2	相距P=50mm,250A×3极P
400A三极静插座 3P fixed plugs	5DY 573 008.2	相距P=50mm,400A×3极P
250A四极静插座 4P fixed plugs	5DY 573 007.1	相距P=50mm,250A×4极P
400A四极静插座 4P fixed plugs	5DY 573 008.1	相距P=50mm,400A×4极P



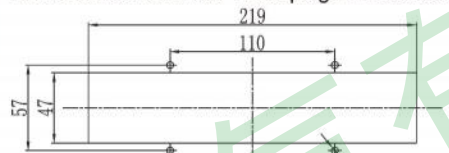
50相距三极静插座开孔示意图  
Pole distance 50MM 3P fixed plugs hole size



50相距四极静插座开孔示意图  
Pole distance 50MM 4P fixed plugs hole size



55相距三极静插座开孔示意图  
Pole distance 55MM 3P fixed plugs hole size



55相距四极静插座开孔示意图  
Pole distance 55MM 4P fixed plugs hole size

### 55相距三(四)极静插座 Pole Distance 55MM 3(4)P Fixed Plugs

名称 Description	代号 Model No.	备注 Remark
250A三极静插座 3P fixed plugs	5DY 573 005.2	相距P=55mm,250A×3极P
400A三极静插座 3P fixed plugs	5DY 573 004.2	相距P=55mm,400A×3极P
250A四极静插座 4P fixed plugs	5DY 573 005.1	相距P=55mm,250A×4极P
400A四极静插座 4P fixed plugs	5DY 573 004.1	相距P=55mm,400A×4极P

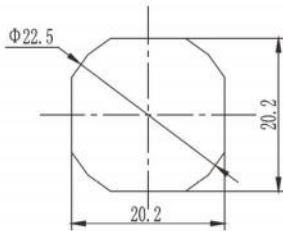
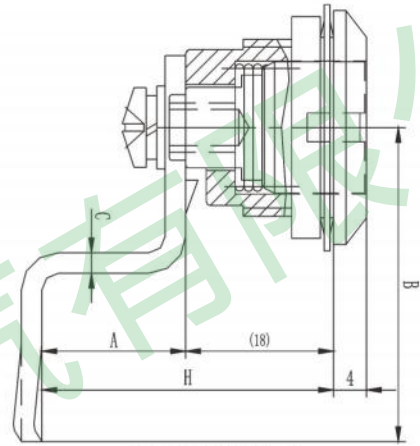


- 8DY 315 050.1 三极防护罩 (相距50mm)  
3P Protective cover (P=50MM)
- 8DY 315 051.1 四极防护罩 (相距50mm)  
4P Protective cover (P=50MM)
- DCZ-5.34002 三极防护罩 (相距55mm)  
3P Protective cover (P=55MM)
- DCZ-5.35001 四极防护罩 (相距55mm)  
4P Protective cover (P=55MM)

**MNS门锁**  
MNS Door Locks

 DMNS门锁及钥匙  
Door locks and keys


DMS-1.11006-1 门钥匙 Keys

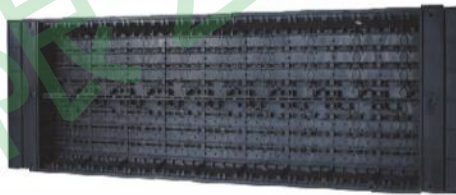

 MNS门锁开孔示意图  
MNS Locks hole size

 MNS门锁外形尺寸  
MNS locks dimensions

型号 Model No.	代号 Code	H	A	B	C	
MS 2-2	GLBS 300 038R1	35	17	38	2.5	
LMS 2-1	GLBS 300 038R1.1			45		
LMS 2-2	GLBS 300 038R1.2	42	24	45		
MS 2-3	5LS 872 001R4					
LMS 2-3	5LS 872 001R8	40	22	38		
MS 2-5	5LS 872 001R9	25	7			
MS 2-12	5LS 872 001R14	28	10	45		
LMS 2-4	5LS 872 001R15	32	14			
MS 2-1	5LS 872 001R16	18	0	45		3
MS 2-6	5LS 872 001R17	22	4	39		
MS 2-7	5LS 872 001R18	45	27	38		
MS 2-13	5LS 872 001R19	47	29	42		
MS 2-4	5LS 872 001R20	49	31	38		
MS 2-9	5LS 872 001R21			42		
MS 2-10	5LS 872 001R22	52	34	30		
MS 2-11	5LS 872 001R23			38		
MS 2-8	5LS 872 001R24	72	54	52		

## DMNS分段式多功能隔离板 DMNS Sectional Multi-function Insulating Board

### ■ 用途及使用方式 Purpose And Usage

- ① 分段式多功能隔离板（简称分段式功能板），安装在主母线与电器室之间，采用高强度、高阻燃工程塑料热塑成型。它有极好的隔离效果，能有效的阻隔开关元件因故障短路产生飞弧时对母线的影响。
- ② 分段式功能板由功能板中端、汇流排衬套板、功能板横端、橡皮密封条、衬块组装而成。对于馈线与电动机控制回路的混装柜，只需按实际要求减少功能板中端和汇流排衬套板数量组装即可。
- ③ 用于后出线600宽MCC柜时，只需去掉上下两端功能板横端，用隔离封板替代即可，L型垂直母线也应相应调整尺寸。
- ④ 当用后出线L型铜排出线时，每块功能板中端应配2块汇流排衬套板。



### ■ 技术参数 Technical Data

- 额定电压 Rated voltage: 400V ( 690V )  
 额定短时耐受电流 Rated short-time withstand current: 80KA  
 额定峰值耐受电流 Rated peak withstand current: 176KA

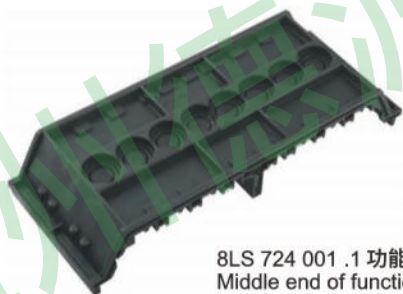
- ① The sectional multi-function insulating board (referred to as "sectional function board"), installed between the main busbar and electrical compartment, is made of high strength, high flame retardant engineering plastic thermoplastic molding. It has wonderful insulating effect, can effectively block the influence of the busbar when the fault short circuit of the switching element causes the flashover.
- ② The sectional function board is composed of function board middle part, distribution sleeve plate, horizontal end plate, rubber seal, and lining block. For a cubicle mounted with feeder line and motor control circuit, we just need to reduce the quantity of middle part and sheathing plate as per actual requirement.
- ③ When being used for width 600MM MCC in rear wiring switchgear, just need to remove the horizontal ends at upper and lower ends, and replaced with the closing plate and L-type vertical busbar shall be sized accordingly.
- ④ If used for back outgoing L type copper busbar, each middle part shall be matched with 2pcs of distribution sleeve plate.



8LS 724 0012  
功能板横端  
Transverse end of function board



GLBS 300 503P1 终端盖板  
Terminal end cover



8LS 724 001 .1 功能板中端  
Middle end of function board



8LS 315 009 隔离封板  
Isolation Closing plate



GLBS 300 501P1  
汇流排衬套板  
Busbar bushing plate



8LS.724 001.4  
密封条  
Sealing strip

## 改进型功能隔离板

### Improved Function Board

- ① 适用于后出线DMNS型抽屉柜
- ② 用出线铜母线完成抽屉回路与外接电缆的连接，单根出线铜母线电流至400A;
- ③ 功能及效果与标准型功能隔离板相同。
- ① Used for rear outgoing DMNS type drawer switchgear
- ② Outgoing copper busbar is used for connection of drawer circuit and external cable, up to 400A;
- ③ Same function as the standard type isolation plate.



改进型功能板装配示意  
Improved function board



8LS 024 002  
改进型功能板中端  
Improved middle end of function board



8LS 024 003 功能板垫圈  
8LS 024 003 Function board gasket  
8LS 024 006 挡销  
8LS 024 006 Stop pin



DTL-1.10014 (长Long)  
DTL-1.10013 (短Short)  
400A后出线长、短铜排  
400A Back wiring long, short copper bar



DTL-1.10015 (短Short)  
DTL-1.10016 (长Long)  
250A后出线长、短铜排  
250A Back wiring long, short copper bar



8LS 024 004(三极3Poles)  
改进型功能板防护罩  
Improved protective cover

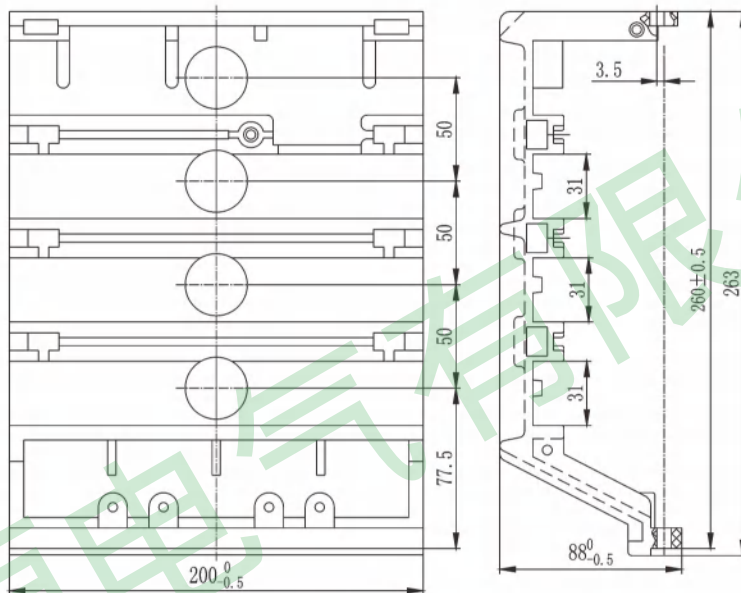


8LS 024 005(四极4Poles)  
改进型功能板防护罩  
Improved protective cover

## DMNS型柜用半块功能隔离板 Half Functional Isolation Board In Dmns Switchgear

### ■ 用途及使用方法 Function And Usage

- ① 半块功能隔离板是在原DMNS组合式功能隔离板基础上进行改型设计的一种经济型功能隔离板。使用中不改变汇流排衬套板结构，其使用效果与标准型功能隔离板相同。
  - ② 半块功能隔离板由半功能板中端、汇流排衬套板、半块隔离封板组装而成。对于馈线与电动机控制回路的混装柜，只需要按实际要求减少功能板中端和汇流排衬套板数量组装即可。
  - ③ 可同时配套安装后出线 and 侧出线电缆组件。
- ① Half functional isolation board is an economical design based on DMNS combo function insulating board. No need to change structure of distribution sleeves structure, and same as the standard type function board.
  - ② Half function board is composed of middle part, distribution bar, and half closing plate. For a cubicle mounted with feeder line and motor control circuit, you will just need to minus middle part and distribution part according.
  - ③ It can be used for back outgoing and side outgoing cable connection units.



## L型垂直母线 ( DMNS型柜用 ) L Type Vertical Busbar (For DMNS Switchgear)

### ■ 用途及使用方法 Function And Usage

L型垂直母线用于MCC柜中，安装在功能板组件内，通过铜连接件和分支母排与水平母线连接，用做MCC柜上主电源的分配。

半块功能板用L型铜母线标准长度为1740mm

L型铜母线长度可根据要求确定。

L type vertical busbar is used in MCC cubicle, mounted inside the function board assembly, using copper fittings to connect with branch busbar and horizontal busbar, to distribute main power supply in the MCC cubicle.

Length of L type vertical busbar for half function board is 1740mm  
Length can be ordered as per request.

### ■ 主要电气参数 Main Electrical Parameters

额定工作电压：400V ( 690V )

额定工作电流：1000A

额定短时耐受电流：50KA

额定峰值耐受电流：105KA

Rated operating voltage: 400V (690V)

Rated operating current: 1000A

Rated short-time withstand current: 50kA

Rated peak withstand current: 105kA

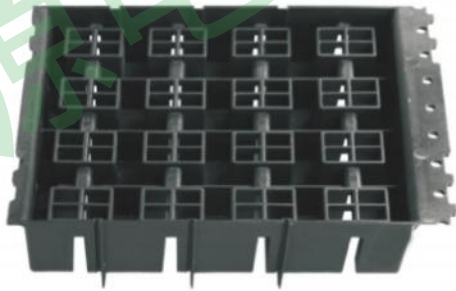


## 新型功能隔离板

### New Type Function isolation Board

#### ■ 用途及使用方法 Function And Usage

- ① 新型功能隔离板是在原有标准型DMNS型基础上改进而来，新型半块功能板除能和标准DMNS抽屉互配外还可以和DCT-9系列主电路动插件配合使用。
- ② 新型功能隔离板将原来抽屉单元进行模数由原来的100mm改进为现有的50mm,更方便的增加抽屉层数，并能与电缆组件配套使用，可方便制作12E，14E等非标高度的抽屉。
- ① It is improved on standard DMNS function isolation board, can match with standard drawer and DTC9 series main circuit moving plugins.
- ② New type function isolation board is improved from 100mm to 50mm, add drawer layers more easily and match with cable connection unit, so customized height listed as 12E, 14E can be all accepted.



DGN-1.20002 新型汇流排衬套板  
New Type Distribution Sleeves



DGN-1.20004 下封板  
Lower end plate



DGN-1.20003 上封板  
Upper end plate



DGN-1.20001 半块功能板中端  
Middle part of half function board (8LS 060 648)

## 三极功能板

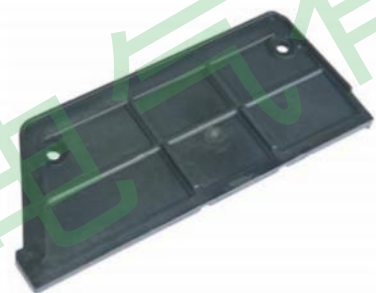
### 3 Poles Function Board



DGN-1.1 0006 三极汇流排衬套  
3 poles distribution sleeves



DGN-1.10005 三极功能板  
3 poles function board



DGN-1.10007 三极隔离封板  
3 poles isolation plate

## DMNS简易型半块功能隔离板

### DMNS Simple Type Half Function Isolation Board

#### ■ 用途及使用方法 Function And Usage

- ① MNS简易型半块功能隔离板是在原DMNS组合式功能隔离板基础上进行改型设计的一种经济型功能隔离板，其使用效果与标准型功能隔离板相同。
  - ② 可同时配套安装后出线 and 侧出线电缆组件，也可和P71页简易型一次动静插件配合使用。
- ① DMNS simple type half function isolation board is an economical improved isolation board on combined isolation board, and the same as standard isolation board.
  - ② It can match back wiring and side wiring cable connection unit, and will be matched with simple primary moving and fixed plugs



8DY 300 006 罩板  
Cover Plate



8DY 300 008 后罩板  
Back Cover Plate



8DY 750 003.1 固定式排夹上功能件  
Fixed clamps upper function parts  
8DY 750 003.2 固定式排夹下功能件  
Fixed clamps lower function parts



8DY 310 008 上盖板  
Upper cover plate



8DY 310 007 下盖板  
Lower cover plate



8LS 100 027 上支件  
Upper support



8LS 100 028 下支件  
Lower support



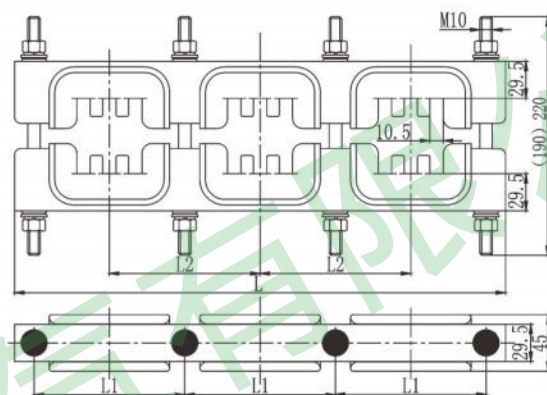
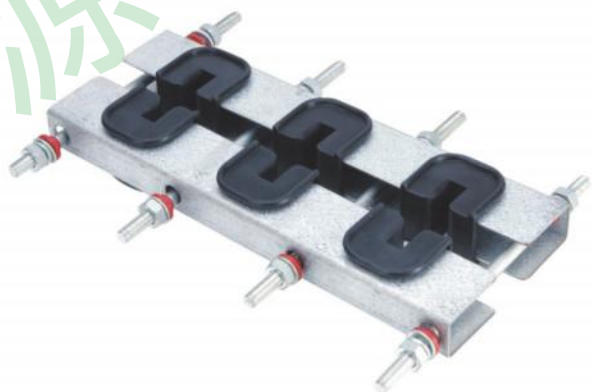
8DY 100 019 排夹支件  
Line clip support

## 组合式护套母排(线)夹

### Combined Jacket Bus (line) Clamp

#### 产品优点 Product Advantages

- ① 用于水平母线顶置式安装的DMNS型开关柜。
  - ② 组合式护套母线夹在金属安装支架与紧固件之间加装有塑料隔磁垫圈。
  - ③ 组合式护套母线夹为组装式结构，可根据用户要求组合成多种规格。
- ① It is used in DMNS switchgear with horizontal busbar overhead type.
  - ② It is clamped between the metal mounting bracket and the fastener and is provided with a plastic magnetic isolation washer.
  - ③ The modular bushing busbar clip is a modular structure, which can be combined into various specifications according to user requirements.



护套 Sheath (1 × 6)  
750 018



护套 Sheath (1 × 8)  
750 008



中护套 Medium sheath  
(1 × 10) 750 019



大护套 Large sheath  
(2 × 10) 750 017



特大护套 Extra- Large sheath  
(3 × 10) 750 085



护套 Sheath (1 × 12)  
750 020



护套 Sheath (2 × 12)  
750 014



护套 Sheath (3 × 12)  
750 015

### 组合式护套母排(线)夹外形尺寸示意图

#### Combined 1 Type Sheathed Bus bar (line) Clip Dimensions

代号 Code	配套护套代号 Sheathed Code	L(mm)	L2(mm)	L1(mm)	母线拼接规格 Busbar specification	备注 Remark
5LS 110 C151		326	100			用于3极 Used for 3 P
5LS 110 C152	750 017	226	90	100	10×60(80,100,120)×2根	用于2极 Used for 2 P
5LS 110 C153		426	100			用于4极 Used for 4 P
5LS 110 C154	750 085	326			10×60(80,100,120)×3根	用于3极 Used for 3 P
5LS 110 C155	750 017	385	85	85	10×60(80,100,120)×2根	用于4极 Used for 4 P
5LS 110 C156		270				用于3极 Used for 3 P
5LS 110 C157	750 019	350			10×60(80,100,120)×1根	用于4极 Used for 4 P
5LS 110 C158		266				用于3极 Used for 3 P
5LS 110 C159	750 018	346	80	80	6×60(80,60,80)×1根	用于4极 Used for 4 P
5LS 110 C160		266				用于3极 Used for 3 P
5LS 110 C161	750 008	346			8×60(80,100,120)×1根	用于4极 Used for 4 P
5LS 110 C162		266				用于3极 Used for 3 P
5LS 110 C163	750 020	346			12×60(80,100,120)×1根	用于4极 Used for 4 P
5LS 110 C164		326	100	100	12×60(80,100,120)×2根	用于3极 Used for 3 P
5LS 110 C165	750 014	426				用于4极 Used for 4 P
5LS 110 C166		386				用于3极 Used for 3 P
5LS 110 C167	750 015	506	120	120	12×60(80,100,120)×3根	用于4极 Used for 4 P
5LS 110 001.1		390				用于3极 Used for 3 P
5LS 110 001.2	750 085	510			10×60(80,100,120)×3根	用于4极 Used for 4 P

#### ■ 订货须知 Order Instruction

用户订货时可按照如下规则写明母线型号。

例如：母线规格为4相,A,B,C相为3根排,每根母排规格为10×120，N相为单排,母排规格10×100,相距120。

可写为3×3×(10×120)+1×1×(10×100) 相距120。即相数×每相根数×(母线规格)并标明相距即可。如需加热带缩管请注明。

Please order as per models and specifications as above listed

E.g: Busbar size in 4 Poles, A,B,C phase in 3 Phase, each busbar lines specifications 10x120, N Phase in single pole, Busbar specifications 10x100, pole distance 120 .Then you can order like:3x3x(10x120)+ 1x1x(10x100) pole distance 120

Please keep us informed if you will fit heat-shrinkable tube

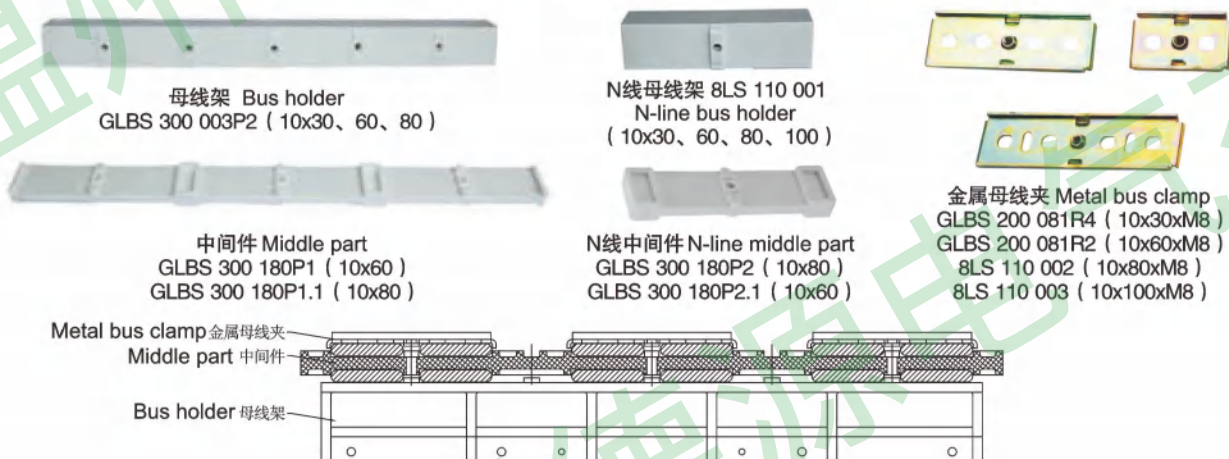
#### 母排架及金属母线夹 Busbar Holder And Metal Bus Clamp

母排架、中间件及金属母线夹用于支撑水平母线，用于后置式母线的DMNS型开关柜。

当使用10×100规格时请使用N线母排架和N线中间件拼装。

The busbar holder, middle part and metal bus clamp are used for supporting the horizontal busbar, used in rear mounted busbar for DMNS Switchgear

When 10×100 is required, please assemble N line bus holder and N line middle part.



## 铜连接件

### Copper Connections

① 用于开关柜中主母线与分支母线的搭接，或与T型螺栓配套用于主母线与垂直母线的搭接。

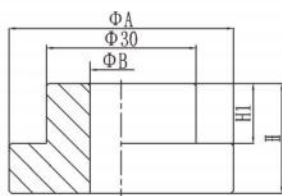
② 额定电源最大至1000A。

① It is mainly used in connection of main busbar and branch busbar, or match with T type Bolt as connection of main busbar and branch busbar

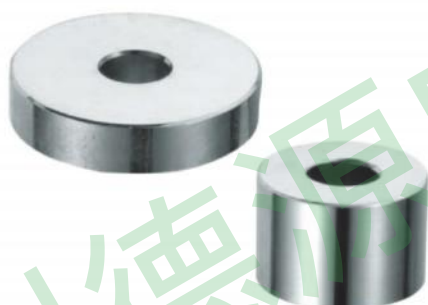
② The rated current is up to 1000A.



铜连接件  
Copper connections



型号 Model No.	H	H1	A	B
DTL-1.10005	20	10	45	11
DTL-1.10006	23	9	40	
DTL-1.10002				12.5



铜连接件  
Copper connections

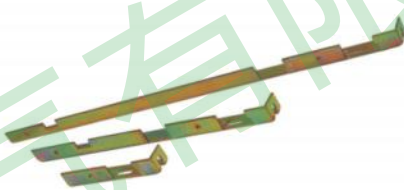
型号 Model No.	规格 Specifications	孔径 Hole diameter
GLBS 300 179P1	Φ30×20	Φ12.5
GLBS 300 179P1G	Φ45×20	
GLBS 300 179P2	Φ30×30	
GLBS 300 179P2G	Φ45×30	
GLBS 300 179P3	Φ30×40	
GLBS 300 179P3G	Φ45×40	
GLBS 300 179P4	Φ30×10	
GLBS 300 179P4G	Φ45×10	



T型螺栓  
T Type Bolt

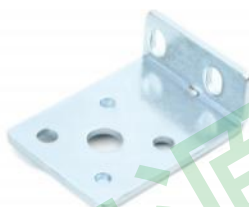
图号 Model No.	旧图号 Original Model No.	规格 Specifications	备注 Remark
DTL-1.10044	8LS MNS M10.1	M10×65	DMNS用 For DMNS switchgear
DTL-1.10045	8LS MNS M10.2	M10×75	

## ——MNS2.0/3.0低压配电柜通用附件

金属零件  
Metal PartsDTC-1.1321 MNS抽屉门铰链  
MNS Drawer hinge  
(GLBK 410 001)MNS抽屉侧板门 MNS Drawer side plate latch  
1. 8E门 latch HANL 200 015P1 (DTC-1.13102)  
2. 16E门 latch HANL 200 015P2 (DTC-1.14102)  
3. 24E门 latch HANL 200 015P3 (DTC-1.14102-1)GLBK 300 101.1 (大Large)  
GLBK 300 101.2 (小Small)  
横梁封板 Cross closing plate

MNS抽屉侧板附件 MNS Drawer Side Wall Accessories

1. 轴承 Bearing  $\Phi 28$
2. 轴 Axle HANL 200 021.1 (DTC-1.13108)
3. 轮轴 Shank HANL 200 021.2 (DTC-1.13106)
4. 轮 Wheel HANL 200 021.3 (DTC-1.13107)
5. 门轴 Latch pin HANL 200 022.1 (DTC-1.13103)
6. 销钉 Pin HANL 200 022.2 (DTC-1.13104)
7. 弹簧 Spring HANL 200 022.3 (DTC-1.13105)
8. 锁钩 Lock hook DTC-1.13202
9. 塑料轴承 Plastic Bearing DJG-2.11112

DTL-1.10048 撑角(撑板)  
Bracket (support)  
(GLBK 400 006P1)DTL-1.10052 带定位角板  
Positional Bracket  
(GLBK 400 007P1)DTL-1.10049 无定位角板  
Bracket without position  
(GLBK 400 006)DTL-1.10050 移位带定位角板(下)  
Dislocated positional Bracket(Lower)  
(GLBK 400 007P1.1)DTL-1.10051 移位带定位角板(上)  
Dislocated positional Bracket(upper)  
(GLBK 400 007P1.2)DTL-1.10047 压板  
pressing plate  
(GLBK 400 004P2)

金属零件  
Metal Parts



DTL-1.10053 连接板  
Connection board  
(GLBK 400 011P1)



DTL-1.10056 运输角  
Transportation Angle  
(GLBK 500 045)



DTL-1.10054 紧固扣  
Fastener  
(GLBK 410 005P1)



DTL-1.10055 紧固扣  
Fastener  
(GLBK 410 005P2)



DTL-1.10065 支件  
Support  
(GLBS 300 094)



DTL-1.10064 小支件  
Small support piece  
(GLBS 300 094.1)



DTL-1.10076 带定位支件  
Supporter with locator



DJL-1.11 小门铰链  
Small door hinge  
(GLBK 410 027R1)



DJL-4.11 门铰链  
Door hinge  
(GLBK 410 000P1)



DJL-5.11 门铰链  
Door hinge  
(GLBK 410 000P2)

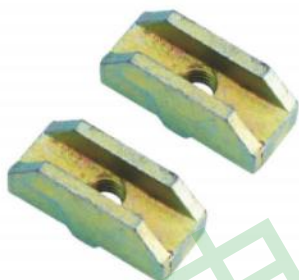


DJL-3.11 门铰链  
Door hinge  
(GLBK 410 000)



DJL-2.11 大门铰链(门折弯H=20)  
Large door hinge (door bending H=20)  
(HANL 100 001R1)

螺纹板 Thread Plate



螺纹板 Thread plate

代号 Code	名称 Description	备注 Remark
GLBS 300 015P4	螺纹板 Thread plate	M8
GLBS 300 015P2		M10
GLBS 300 015P3		M12

螺纹板 Thread Plate



螺纹板支架 Thread Plate Bracket

代号 Code	名称 Description	备注 Remark
GLBS 300 504P2	螺纹板支架 Thread Plate Bracket	用于10×30母线 For 10×30 busbar
GLBS 300 504P1		用于10×60母线 For 10×60 busbar
GLBS 300 504P3		用于10×80母线 For 10×80 busbar

橡皮护圈 Rubber Retainer



代号 Code	名称 Description	开孔尺寸 Hole size
8LS 766 003P3.1	方形护圈 Square retainer	10×10
8LS 766 003P3	扁形橡皮护圈 Flat rubber retainer	53×13
8LS 766 002	橡皮护圈(圆形) Rubber retainer (round)	60
8LS 766 004		90
8LS 766 005	橡皮护圈(塔形) Rubber retainer (tower)	110
8LS 766 005.1		80

波纹管 Bellows



代号 Code	名称 Description	开孔尺寸 Hole size
GLBL 200 094P1	大号波纹管 Large bellows	400A电缆组件用 For 400A cable connection unit
8LS 390 001	中号波纹管 Medium bellows	400A电缆组件用 For 400A cable connection unit
GLBL 200 093P1	小号波纹管 Small bellows	125A电缆组件用 For 125A cable connection unit

## 塑料零件

## Plastic Parts



8LS 500 012P1透明封板(大封板)  
Transparent closing plate (large one)  
开孔:83x 200



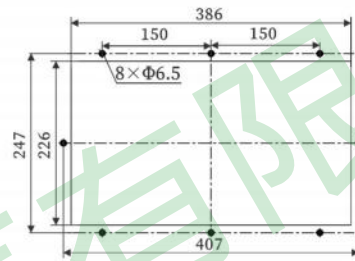
8LS 200 063P1  
Panel (small closing plate)  
嵌板(小封板)



8LS 060 700 隔板小封板  
Isolator small closing plate  
后出线电缆组件(B型)堵孔用  
Rear wiring cable connection unit



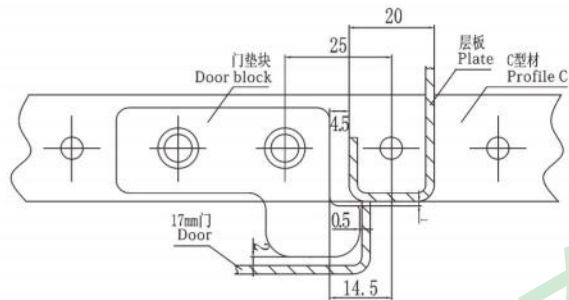
DLT1.16柜顶通风罩  
DLT1.16 ventilation shield



柜顶通风罩开孔图  
Opening diagram of cabinet top ventilation hood



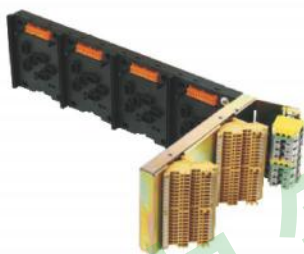
DTL-1.11001 门垫块 Door block



### 定货须知 Ordering Notices

- 1、订购时请按照我司订货代号提交，更多关于MNS2.0的产品请咨询技术部。
- 2、此样本照片所示只是产品示意，具体发货根据实际情况配套，若有其他特殊要求请联系技术部。
- 3、此样本所列产品型号截止至2022年，如有增加及更改恕不另行通知，请与我司联系。
- 1.Please order as per our model no. shows, for more information about MNS2.0 please contact our technical .
- 2.Product pictures show in the catalog for reference only, actual shipment will be as per order, if any special requirements, please contact our technical.
- 3.All the models show in the catalog until end of 2022, if any added or changed models, we will not further notice, please contact with us at any time.

DMNS3.0



8E/4转接件 8E/4 Conadpater

名称 Description	配号 Model No.	规格 Specifications
8E/4转接件 8E/4conadpater	GLBS200516R0101	3极20线 3P20SK
	GLBS200516R0102	4极20线 4P20SK



8E/2转接件 8E/2 Conadpater

名称 Description	配号 Model No.	规格 Specifications
8E/2转接件 8E/2conadpater	GLBS200516R0103	3极20线 3P20SK
	GLBS200516R0104	3极40线 3P40SK
	GLBS200516R0105	4极20线 4P20SK
	GLBS200516R0106	4极40线 4P40SK



8E/4转接件 8E/4 Conadpater

名称 Description	配号 Model No.	规格 Specifications
8E/4转接件 8E/4conadpater	1TNA100018R0101	3极20线 3P20SK
	1TNA100018R0102	4极20线 4P20SK



8E/2转接件 8E/2 Conadpater

名称 Description	配号 Model No.	规格 Specifications
8E/2转接件 8E/2conadpater	1TNA100018R0103	3极20线 3P20SK
	1TNA100018R0104	3极40线 3P40SK
	1TNA100018R0105	4极20线 4P20SK
	1TNA100018R0110	4极40线 4P40SK



8E/4插件后板 8E/4plug-in rear wall

名称 Description	配号 Model No.	规格 Specifications
8E/4插件后板 8E/4plug-in rear wall	1TGB100102R0301	3极20线 3P20SK
	1TGB100102R0401	4极20线 4P20SK

## DMNS3.0

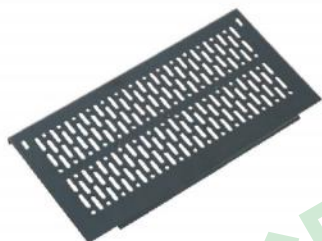


8E/2插件后板 8E/2plug-in rear wall

名称 Description	配号 Model No.	规格 Specifications
8E/2插件后板 8E/2plug-in rear wall	1TGB100102R0352	3极40线 3P40SK
	1TGB100102R0452	4极40线 4P40SK

抽屉铝导轨  
Drawer aluminium guide

名称 Description	图号 Model No.	旧图号 Original Model No.	备注 Remark
抽屉铝导轨 Drawer aluminium guide	DTC-1.11002	HANL 200 061P1	400深抽屉用 For 400mm Module
	DTC-1.11002-1	8LS 260 006	500深抽屉用 For 500mm Module

塑料抽屉侧板  
Plastic drawer side plate

名称 Description	图号 Model No.	旧图号 Original Model No.	备注 Remark
塑料抽屉侧板 Plastic drawer side plate	DTC-1.11003	HANL 200 009P1	400深抽屉用 For 400mm Module
	DTC-1.11003-1	3LP8 050 722	500深抽屉用 For 500mm Module

抽屉导轨  
8E/4、8E/2 Drawer guide

名称 Description	图号 Model No.	旧图号 Original Model No.	备注 Remark
8E/4、8E/2 抽屉导轨 8E/4、8E/2 Drawer guide	DTC-1.11005	HANL 200 001P1	400深抽屉用 For 400mm Module
	DTC-1.11006	8LS 260 005	500深抽屉用 For 500mm Module

**HANL 200 059P1**

名称:8E/4仪表板  
单位:只  
备注:DTC-1.11001

Designation: 8E/4 Instrument board

Unit:Pcs  
Remark:DTC-1.11001

**HANL 200 060P1**

名称:8E/2仪表板  
单位:只  
备注:DTC-1.12001

Designation: 8E/2 Instrument board

Unit:Pcs  
Remark:DTC-1.12001

DMNS3.0



**CHANL200122P0010**

名称:8E/4仪表板  
单位:只  
备注:DTC-1.11001-1  
Designation: 8E/4 Instrument board  
Unit:Pcs  
Remark:DTC-1.11001-1



**HANL200008P0002**

名称: 拉手带标牌架  
单位:只  
备注:DTC-1.114  
Designation:Handle with sign rack  
Unit:Pcs  
Remark:DTC-1.114



**HANL100018R0003**

名称:抽屉旋转手柄  
单位:只  
备注:DTC-1.11401  
Designation: Drawer Handle  
Unit:Pcs  
Remark:DTC-1.11401



**ITNB209111P0001**

名称: 开关长手柄  
单位:只  
Designation: handle indicating  
Unit:Pcs



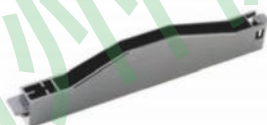
**DWD-2.317**

名称:插针部件  
单位:只  
Designation:Pin parts  
Unit:Pcs



**DWD-2.327**

名称:插簧部件  
单位:只  
Designation:Insert parts  
Unit:Pcs



**HANL 200 002P1**

名称:前档  
单位:只  
备注:DTC-1.11004  
Designation:front damper  
Unit:Pcs  
Remark:DTC-1.11004



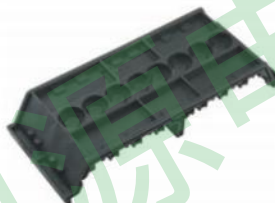
**1TNM901084P0001**

名称:铰链  
单位:只  
Designation:Hinge  
Unit:Pcs



**1TGB120050P0001**

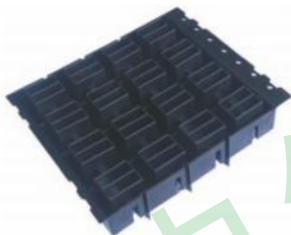
名称:抽屉后板  
单位:只  
备注:DTC-1.13001  
Designation:Drawer back panel  
Unit:Pcs  
Remark:DTC-1.13001



**8LS 724 001.1**

名称:功能板中端  
单位:只  
Designation:Middle multifunction board  
Unit:Pcs

## DMNS3.0

**DMNS3.0GN-1.10001**

名称:汇流排衬套板  
单位:只  
Designation:Busbar bushing plate  
Unit:Pcs

**8LS 315 009**

名称:隔离封板  
单位:只  
Designation:Isolating cover plate  
Unit:Pcs

**DMNS3.0-1.10001**

名称:测控板  
单位:块  
Designation:Instrument panel  
Unit:Piece

**DMNS3.0-1.10002**

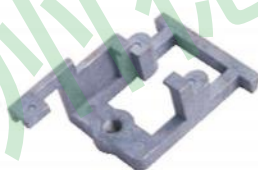
名称:测控板安装支架  
单位:只  
Designation:Instrument panel  
Unit:Piece

**1TSA275000R0001**

名称:手柄操作机构  
单位:套  
备注:DMNS3.0JG-1.11  
Designation:Handle operating mechanism  
Unit:Set  
Remark:DMNS3.0JG-1.11

**1TSA275000R1001**

名称:联锁机构  
单位:套  
备注:DMNS3.0JG-1.12  
Designation:Interlock mechanism  
Unit:Set  
Remark:DMNS3.0JG-1.12

**1TSA271000R0089**

名称:导向件  
单位:块  
备注:DMNS3.0-1.10010  
Designation:Guide bracket  
Unit:Piece  
Remark:DMNS3.0-1.10010

**1TSA090024R0004**

名称:MNS3.0门锁  
单位:只  
备注:DMNS3.0-1.19  
Designation:Door lock  
Unit:Piece  
Remark:DMNS3.0-1.19

**DMNS3.0-1.13**

名称:滚轮  
单位:包  
包装规格:4件/包  
Designation:Roller  
Packing:4pcs/bag  
Unit:Bag

**1TSA275000R1002**

名称:抽屉防滑件  
单位:只  
备注:DMNS3.0-1.12002  
Designation:Drawer anti-slip kit  
Unit:Piece  
Remark:DMNS3.0-1.12002

DMNS3.0



**1TSA090001R0044**

名称:导轨(L=375)  
单位:根  
备注:DMNS3.0-1.10007  
Designation:Guide rail L=375  
mechanism  
Unit:Piece  
Remark:DMNS3.0-1.10007



**1TSA090001R0044**

名称:导轨(L=350)  
单位:根  
备注:DMNS3.0-1.10008  
Designation:Guide rail L=350  
mechanism  
Unit:Piece  
Remark:DMNS3.0-1.10008



**1SCA022399R7640**

名称:手柄(L=45)  
单位:只  
备注:DMNS3.0JG-1.111-45  
Designation:Handle L=45  
Unit:Piece  
Remark:DMNS3.0JG-1.111-45



**1SCA022399R7720**

名称:手柄(L=65)  
单位:只  
备注:DMNS3.0JG-1.111-65  
Designation:Handle L=65  
Unit:Piece  
Remark:DMNS3.0JG-1.111-65



**1SCA022399R7680**

名称:手柄(L=80)  
单位:只  
备注:DMNS3.0JG-1.111-80  
Designation:Handle L=80  
Unit:Piece  
Remark:DMNS3.0JG-1.111-80



**1SCA022399R7895**

名称:手柄(L=95)  
单位:只  
备注:DMNS3.0JG-1.111-95  
Designation:Handle L=95  
Unit:Piece  
Remark:DMNS3.0JG-1.111-95



**1SCA022399R7990**

名称:手柄(L=125)  
单位:只  
备注:DMNS3.0JG-1.111-125  
Designation:Handle L=125  
Unit:Piece  
Remark:DMNS3.0JG-1.111-125



**1TSA271000P0022**

名称:铰链扣  
单位:只  
Designation:Stud for hinge  
Unit:Piece



**1TGB100129R0010**

名称:侧装断路器操作机构  
单位:套  
备注:适用于T2断路器  
Designation:Side-mounted CB  
operating mechanism  
Unit:Set  
Remark:Applicable for T2 circuit  
breaker



**HANL100107R0001**

名称:断路器套件  
单位:套  
Designation:Circuit breaker kit  
Unit:Set

## DMNS3.0

**DZJ3.0-160A/3**

名称:160A转接件-3P  
单位:只  
Designation:160A cable connection  
unit 3P  
Unit:Set

**DZJ3.0-250A/3**

名称:250A转接件-3P  
单位:只  
Designation:250A cable connection  
unit 3P  
Unit:Set

**DZJ3.0-400A/3**

名称:400A单元转接件-3P  
单位:只  
Designation:400A cable  
connection unit 3P  
Unit:Set

**DZJ3.0-160A/4**

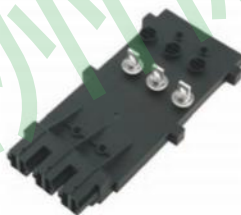
名称:160A单元转接件-4P  
单位:只  
Designation:160A cable  
connection unit 4P  
Unit:Set

**DZJ3.0-250A/4**

名称:250A单元转接件-4P  
单位:只  
Designation:250A cable  
connection unit 4P  
Unit:Set

**DZJ3.0-160A/6**

名称:160A转接件-6P  
单位:只  
Designation:160A cable  
connection unit 6P  
Unit:Set

**1TNA060011R0301**

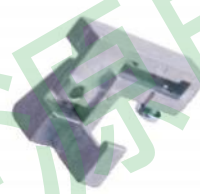
名称:160A单元转接件-3P  
单位:只  
备注:DMNS3.0-1.43  
Designation:160A unit adapter-3P  
Unit:Pcs  
Remark:DMNS3.0-1.43

**1TNA060011R0601**

名称:160A单元转接件-6P  
单位:只  
备注:DMNS3.0-1.44  
Designation:160A unit adapter-6P  
Unit:Pcs  
Remark:DMNS3.0-1.44

**1TNA060011R0303**

名称:400A单元转接件-3P  
单位:只  
备注:DMNS3.0-1.46  
Designation:400A unit adapter-3P  
Unit:Pcs  
Remark:DMNS3.0-1.46

**1TSA275006R0002**

名称:机械复位装置  
单位:个  
Designation: Mechanical reset  
device  
Unit:Pcs

DMNS3.0



**1TGB100101A0016**

名称:3.0插头 (6-16mm<sup>2</sup>)  
单位:只  
备注:DMNS3.0-1.17-1

Designation: Contact (6-16mm<sup>2</sup>)  
Unit:Piece  
Remark: DMNS3.0-1.17-1



**1TGB100101A0035**

名称:3.0插头 (35mm<sup>2</sup>)  
单位:只  
备注:DMNS3.0-1.16

Designation: Contact (35mm<sup>2</sup>)  
Unit:Piece  
Remark: DMNS3.0-1.16



**1TGB100101A0050**

名称:3.0插头 (50mm<sup>2</sup>)  
单位:只  
备注:DMNS3.0-1.15

Designation: Contact (50mm<sup>2</sup>)  
Unit:Piece  
Remark: DMNS3.0-1.15



**1TGB100101A0070**

名称:3.0插头 (70mm<sup>2</sup>)  
单位:只  
备注:DMNS3.0-1.14

Designation: Contact (70mm<sup>2</sup>)  
Unit:Piece  
Remark: DMNS3.0-1.14



**1TNA100115R0202**

名称:二次接插件 (B8E 20节)  
单位:只  
备注:5DY. B8E. 01. 20

Designation:Secondary connector  
Unit:Pcs  
Remark: 5DY. B8E. 01. 20



**1TNA100116R0202**

名称:二次接插件 (S8E 20节)  
单位:只  
备注:5DY. S8E. 01. 20

Designation:Secondary connector  
Unit:Pcs  
Remark: 5DY. S8E. 01. 20



**1TSA275002R0002**

名称:二次安装支架  
单位:个 (含附件)  
备注:DMNS3.0-1.11002

Designation:Auxiliary blocks bracket  
Unit:Set  
Remark:DMNS3.0-1.11002



**DMNS3.0-1.10011**

名称:端子架板  
单位:只

Designation:terminal frames  
Unit:Pcs



**GLBK500055P0011**

名称:通风栅  
单位:只

Designation:Ventilation fence  
Unit:Pcs



**GLBK500059P0011**

名称:通风栅盖板  
单位:只

Designation:Ventilation fence  
cover  
Unit:Pcs



**GLBK500055P0022**

名称:通风栅  
单位:只

Designation:Ventilation fence  
Unit:Pcs



**GLBK500059P0022**

名称:通风栅盖板  
单位:只

Designation:Ventilation fence  
cover  
Unit:Pcs

## DMNS3.0

**GLBS 300 003P2**

名称:母线架  
单位:只  
备注:10×30、60、80  
Designation:busbar frame  
Unit:Pcs  
Remark:10×30、60、80

**8LS 110 001**

名称:N线母线架  
单位:只  
备注:10×30、60、80、100  
Designation:N line busbar frame  
Unit:Pcs  
Remark:10×30、60、80、100

**GLBS300 180P1**

名称:中间件  
单位:只  
Designation:Middle busbar support  
Unit:Pcs

**GLBS 300 180P2**

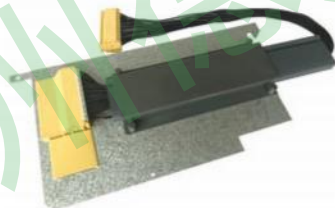
名称:N线中间件  
单位:只  
备注:10×80、10×60  
Designation:N line busbar frame  
Unit:Pcs  
Remark:10×80、10×60

**GLBS 200 081R4/2**

名称:金属母线架  
单位:只  
备注:10×30×M8、10×60×M8  
Designation:Metal busbar clip  
Unit:Pcs  
Remark:10×30×M8、10×60×M8

**8LS 110 002**

名称:金属母线架  
单位:只  
备注:10×80×M8、10×100×M8  
Designation:Metal busbar clip  
Unit:Pcs  
Remark:10×80×M8、10×100×M8


**带线二次插件后出**  
secondary connector rear mounted


名称 Description	配号 Model No.	规格 Specifications
带线二次插件后出(20P) secondary connector rear mounted	1TNA060012R0001	10节 10 contacts
带线二次插件后出(32P) secondary connector rear mounted	1TNA060012R0002	16节 16 contacts
带线二次插件后出(16P) secondary connector rear mounted	1TNA060012R0003	8节 8 contacts

**定货须知 Ordering Notices**

- 订购时请按照我司订货代号提交。
  - 此样本照片所示只是产品示意，具体发货根据实际情况配套，若有其他特殊要求请联系技术部。
  - 此样本所列产品型号截止至2022年底，如有增加及更改恕不另行通知，请与我司联系。
- Submit your order as per our order codes.
  - Product pictures show in the catalog for reference only, actual shipment will be as per order, if any special requirements, please contact our technical.
  - All the models show in the catalog until end of 2022, if any added or changed models, we will not further notice, please contact with us at any time.

温州德源电气有限公司

联系方式:

ADD:温州市经济技术开发区金海大道433号  
TEL:0577-86520187/86520257  
FAX:0577-88131922  
www.china-deyuan.net



400-012-9998



2023版