



产品手册 Product manual

# 经济型通用柜柜体附件

ECONOMICAL SUPERSET FULL SET SWITCHGEAR ACCESSORIES



400-012-9998



2024版

联系方式:  
Contact us:

地址:温州市经济技术开发区金海大道433号  
ADD: No. 433 Jinhai Avenue,  
Wenzhou Economic and Technological Development Zone  
Wenzhou, Zhejiang, China  
TEL:0577-86520187/86520257  
FAX:0577-88131922  
E-mail: sales@china-deyuan.net  
http://deyuan.com.cn

- 不止于新, 智造精品
- 严谨、专注, 精益求精
- 提供从柜体到附件一站式服务

温州德源电气有限公司

WENZHOU DEYUAN ELECTRIC CO.,LTD.

## 企业 简介

Company  
Profile



温州德源电气有限公司是国内专业生产高低压成套开关柜元器件的骨干企业。公司从1994年成立以来，一直在高低压成套开关设备领域不断开拓创新。公司通过ISO9000质量体系认证。所有产品严格按照国家有关技术标准生产，以品质为生命、以市场为导向、以研发为基础，以“务实、高效、规范、创新”的企业精神不断进取。2006年公司荣获温州市信用先进企业，“德源”商标评为温州市知名商标，2009年被评为国家高新技术企业，2010年技术中心被评为市级技术研发中心，2011年评为市级专利示范单位拥有多项自主知识产权，发明专利和实用新型专利。

公司位于温州国家级经济技术开发区--金海工业园区，厂房建筑面积7万多平方米，注册资金7500万，现有员工400多人。

主要生产DOKKEN、DBlokset-MW、DBlokset-MXDBlokset-U、DMNS3.0、Energin(纳图)、D8PT、DS8、MDmax ST等品牌柜体附件和MNS2.0、GCS、MNS经济型、经济型通用柜等国产低压成套附件；以及MV-net HP、KYN28等中压元件和附件；同时为低压品牌断路器、提供断路器底座、辅助触点及脱扣线圈等其它专用附件

公司完善现代企业管理制度，弘扬工匠精神不断完善创新。产品远销国内外，为国家重点工程、智能电网提供产品服务。如首都国际机场等众多机场项目、北京地铁等全国各大轨道交通项目、昌江核电等核电项目、旁多水电站等高海拔项目。产品出口中东、东南亚等地区，深受广大用户信赖与好评。公司竭诚与国内外客商合作，携手开拓国内外市场，共创美好未来！

Wenzhou deyuan electric co.ltd is the major manufacturer in low and medium high voltage switchgear components.It is founded in 1994, and always keep innovating in power distribution,Passed ISO9000 certificate, althe product quality is strictly accord to international standard.With quality as life, market oriented and research and development asthe foundation, the enterprise spirit of "pragmatism, efficiency,standardization,innovation" keeps us forging ahead.In 2006 wegot the honor in Wenzhou Advanced Enterprise, ourbrand "deyuan" has been awarded CHINA famous brand, In 2009 we were honored to be National high-tech enerpises, In 2010 our technical center has been honored to be municipal research center,In 2011 we were honored to be patent enterprise, with independent intellectual property rights, invention patent and utility model patent.

Deyuan electric co., ltd is located in Wenzhou national economic and technological development zone -- Jinhai industrial park.

Factory building area is over 70,000 square meters,with 75million registered capital and more than 400 employees.Mainlymanufacture DOKKEN, DBlokset-MW, DBlokset-MX, DBlokset-U,Energin D8PT、DS8、MDmax ST、full set switchgear accessories and MNS2.0,GCS,economical MNS; Also in MV-net HP, KYN28 medium voltage accessories;Alsowe manufacture circuit breaker baseauxiliary contact,trip coils for brand circuit breaker .

Modern enterprise management system,craftsmanship spirit,keep innovation.We supply to domestic and abroad,andprovide the product service to the Capital International Airportand many other airport projects, Beijing subway and other majorrail transit projects,nuclear power projects, listed as Changjiang nuclear power projects, high altitude projects named Pendu Hydropower Station. In the future, we will persist our principal to work with new and old partners.

不止于新  
Beyond Innovation  
智创未来  
Wisdom  
Creates the Future

德源电气

德源电气  
DEYUAN ELECTRIC

新一代通用型低压配电柜  
New generation universal low-voltage distribution cabinet accessories

### 新一代通用型低压配电柜

NEW GENERATION UNIVERSAL LOW-VOLTAGE DISTRIBUTION CABINET ACCESSORIES

新一代通用型低压配电柜是在通用型低压配电柜（二代）的基础上改进而来，盘面整体采用圆弧形的设计理念，对抽屉拉手操作机构显示面板进行了优化组合，对抽出式功能单元二次接插系统及抽屉钣金进行了优化，使整柜制造成本更低，具有较高的性价比。该柜型具有以下优点：

1. 该柜型框架采用行业主流的25模数 C型材拼接，无须专用工具即可组装成各种形式柜体。机柜水平母线为顶置，可根据电流大小、分断能力要求灵活配置母线支撑件数量及位置。母线室上方配有可拆卸式顶盖，方便施工现场母线的安装；
2. 该柜型采用明、暗两种新结构铰链，可根据需求选用，且柜体铰链与门板采用螺丝紧固，免焊接；
3. 抽出式功能单元规格齐全，一次插件采用分体式插件，能与市场上所有开关相间匹配，出线侧插件集成互感器模块，极大的减少抽屉空间的占用，同时节省大量的连接铜排；该方案能满足不同模数高度的抽屉需求，具有8E/4、6E/2、8E/2、6E、8E、12E、16E、24E等不同规格的抽屉；
4. 该柜型抽出式功能单元除了具有常规功能外，还可增加通讯插件以实现通讯功能；
5. 新型直插式二次插件的使用，使用户接线效率大大提高，降低生产成本。

The new type low-voltage Superset low-voltage switchgear enclosure panel adopts the arc design concept, optimizes the display panel of the drawer handle operating mechanism, optimizes the primary and secondary connectors system of the withdrawable functional unit and the drawer sheet metal, making the manufacturing cost of the whole switchgear enclosure lower and having a higher cost performance with the following advantages:

1. Switchgear enclosure frame adopts the 25-module C-profiles, and can be assembled into various forms of switchgear enclosure without special tools. The horizontal busbar in top-mounted, and the number and position of busbar supports can be flexibly configured according to the current and breaking capacity requirements. The busbar compartment is equipped with a detachable top cover to facilitate the installation of the busbar at the construction site;
2. The switchgear enclosure adopts blinded hinges and visible hinges which can be selected according to needs. Hinges and door panels are fastened with screws, no need for welding.
3. The withdrawable functional unit has complete specifications. The primary plug-in adopts a split connectors, which can match the phase spacing of all circuit breaker on the market. The connectors on the outgoing side integrates the transformer module, which greatly reduces the drawer space occupation and saves a lot of connecting copper bars. This solution can meet the needs of drawers with different module heights, with drawers of different specifications such as 8E/4, 6E/2, 8E/2, 6E, 8E, 12E, 16E, 24E, etc.
4. In addition to the conventional functions, the withdrawable switchgear functional unit can also add communication plug-ins to realize communication functions;
5. New direct-plug secondary connectors greatly improves the user's wiring efficiency and reduces production costs;



8E/4抽屉  
8E/4 drawer



主要电气参数:

- 额定工作电压:主回路400V/690V
- 辅助回路220V/380V(110V 直流);
- 额定电流:63A
- 额定绝缘电压:690V

Main electrical parameters:

- Rated working voltage: Main circuit 400V/690V
- Auxiliary circuit 220V/380V (110V DC);
- Rated current: 63A
- Rated insulation voltage: 690V

主要特点:

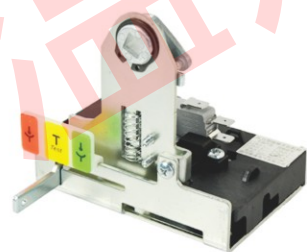
- 该抽屉为手拉式推进抽屉, 操作简便;
- 抽屉具有分离、试验、连接三位置显示, 分别可在试验和连接位置锁定抽屉;
- 抽屉试验位置到连接位置行程24mm;
- 抽屉侧板为可拆卸式侧板, 方便抽屉内电器元件安装及电缆连接;
- 抽屉二次线数为16线;
- 抽屉深度450深。

Main Character:

- Hand-pulled operating mechanism, which is easy to operate;
- Three display positions: separation, testing, and connection, And can be locked at the testing or connection positions;
- Travel distance from test position to the connection position is 24mm;
- Detachable side panel of the drawer make installation of the electrical components and cable connections more easier;
- Secondary connectors lines up to 16 wires;
- Drawer depth 450mm.

8E/4抽屉附件介绍  
8E Drawer Accessories

DLJ 手拉机构  
DLJ hand pull mechanism



DLJ1.X T DLJ1 手拉机构  
DLJ1. X T DLJ1 Hand Pulling Mechanism



DLJ1.10010 机构定位块  
DLJ1.10010 Mechanism block



DLS 2.10003 指示窗  
DLS 2.10003 Display

主要特点:

- 该机构为手拉式推进机构, 操作简便, 锁定可靠;
- 机构具有分离、试验、连接三位置显示, 分别可在试验和连接位置锁定抽屉; 如有需要也可在分离位置锁定抽屉 (此功能需在订单中备注);
- 试验位置到连接位置行程24mm。

Main Character:

- The mechanism is a hand pulled propulsion mechanism, which is easy to operate and reliable in locking;
- The mechanism has three position displays: separation, testing, and connection, and can lock drawers in the testing and connection positions respectively; If necessary, the drawer can also be locked in the separate position (this function needs to be noted in the order);
- The stroke from the test position to the connection position is 24mm.

显示位置说明

Display Location Description



分离位置: 此位置抽屉可以推进和拉出;  
Separation position: The drawer can be pushed in and out at this position;



试验位置: 此位置二次回路接通, 一次回路断开, 抽屉被锁定;  
Test position: At this position, the secondary circuit is connected, the primary circuit is disconnected, and the drawer is locked;

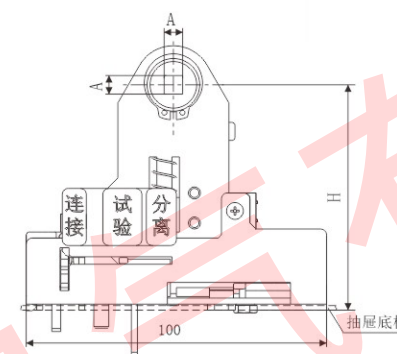


连接位置: 此位置一次、二次回路均接通, 抽屉被锁定, 主开关可以合闸;  
Connection position: At this position, both the primary and secondary circuits are connected, the drawer is locked, and the main switch can be closed;

机构选型表

Institutional Selection Table

方轴 Square Shaft	型号 Model No.	试验位置带1组 微动开关 With 1 Set of Micro-switch In The Test Position	电操型号 Electric Operation Model	A	H
适配 6*6 方轴 Adapted to 6 * 6 square shafts		DLJ1.5T	DLJ1.5D	6.2	75
适配 8*8 方轴 Adapted to 8 * 8 square shafts		DLJ1.5T-1			
适配 6*6 方轴 Adapted to 6 * 6 square shafts		DLJ1.6T	DLJ1.6D	6.2	82
适配 8*8 方轴 Adapted to 8 * 8 square shafts		DLJ1.6T-1			

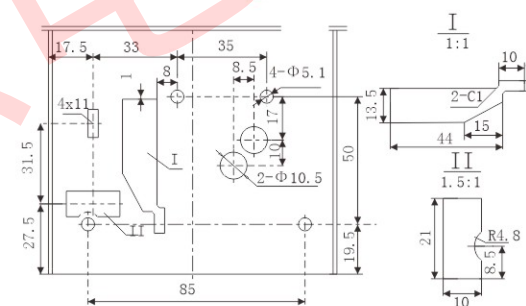


机构订货说明:  
Institutional ordering instructions:

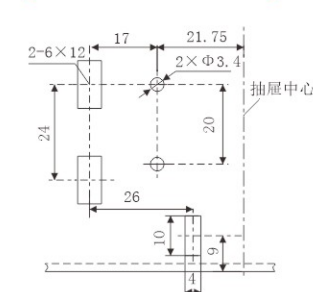
- 订货时按照表中规格选型;
- 如需在连接位置带 1 组微动开关请在订单中注明;
- 机构对应抽屉钣金图请联系我司技术部。
- When ordering, select according to the specifications in the table;
- If one set of micro switches is required at the connection position, please indicate it in the order;
- Please contact our technical department for the corresponding drawer sheet metal drawings of the organization.

DLJ1 手拉机构钣金开孔尺寸图

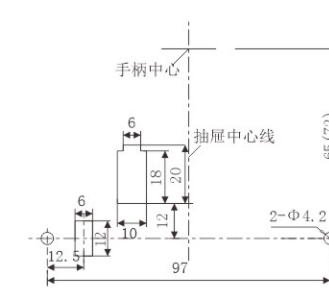
DLJ1 Hand Pulling Mechanism Sheet Metal Opening Dimensional Drawing



抽屉底板开孔图  
Drawer baseplate hole drawing

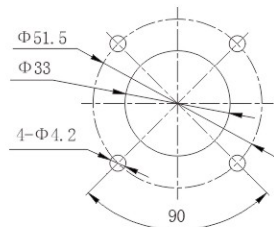


抽屉层板开孔图  
Drawer layerplate hole drawing



抽屉面板开孔图  
Drawer panel opening drawing

■ DSB8 系列开关小手柄  
DSB8 series switch handle



手柄开孔示意图  
Handle opening

手柄选型表  
Handle Selection Table

名称 The Name of the	型号 Model No.
8*8开关小手柄 8*8 Switch handle	DSB8-001
6*6开关小手柄 6*6 Switch handle	DSB8-002

■ 8E/4 拉手带按钮 DLC5.1122  
8E/4 handle with button DLC5.1122

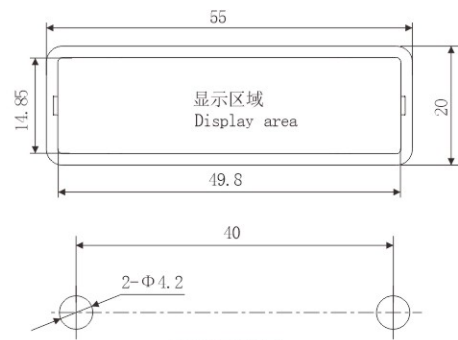


拉手开孔示意图  
Handle opening

■ 塑料侧板 DLC1.11208  
Plastic side panel DLC1.11208



■ 小号标签框 DLT1.22  
Small Label Box DLT1.22



开孔示意图  
Hole Sizes

■ 前档 DTC-1.11004  
Front gear DTC-1.11004



■ 450 深侧板导轨-铝 DLC1.11210  
450 deep side panel guide rail - aluminum DLC1.11210



■ 下导轨 DLC1.11209  
Lower guide rail DLC1.11209



DXFZ-5 型 8E/4 薄型电路分配转接器

8E/4 drawn DXFZ-5 8E/4 thin circuit distribution condapter

■ 主要电气参数:

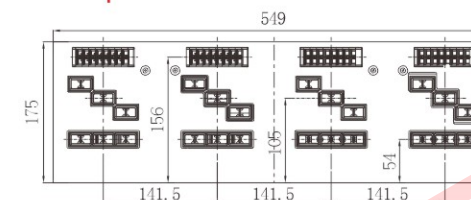
- 额定电压: 主回路:690V;辅助回路: AC220V/DC110V;
- 额定绝缘电压: 690V
- 工频耐受电压: 2500V/min
- 额定电流: 主回路进线250A(分路出线至63A);辅助回路10A。

■ Main electrical parameters:

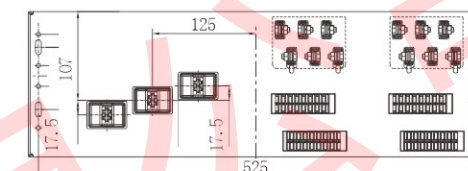
- Rated voltage: Main circuit 690V; Auxiliary circuit: AC220V/DC110V
- Rated insulation voltage: 690V
- Power frequency withstand voltage: 2500V/min
- Rated current: 250A for the main circuit incoming line (branching out to 63A); Auxiliary circuit 10A.

■ DXFZ-5 型 8E/4 三极 63A 后出线薄型电路分配转接器

DXFZ-5 type 8E/4 3Pole 63A rear outgoing thin circuit distribution condapter



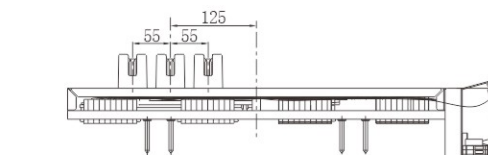
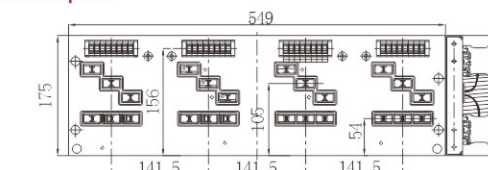
DXFZ-5型8E/4三极后出线薄型电路分配转接器正面示意图  
DXFZ-5 8E/4 3Poles back outgoing thin-type circuit distribution condapter front view



DXFZ-5型8E/4三极后出线薄型电路分配转接器背面示意图  
B相中心距柜体中心125mm  
DXFZ-5 8E/4 3Poles back outgoing thin-type circuit distribution condapter Back view Drawer central distance 125MM

■ DXFZ-5 型 8E/4 三极 63A 侧出线薄型电路分配转接器

DXFZ-5 8E/4 Three Pole 63A Side Output Thin Circuit Distribution Adapter



DXFZ-5型8E/4侧出线薄型电路分配转接器尺寸图  
B相中心距柜体中心125mm  
DXFZ-5 8E/4 3Poles side outgoing thin-type circuit distribution condapter Back view Drawer central distance 125MM

**DXFZ-5 型 8E/4 三极 63A 薄型电路分配转接器选型表**

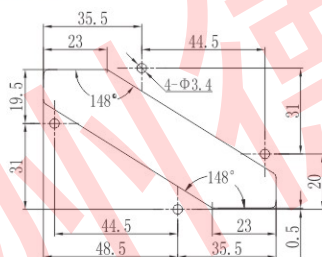
DXFZ-5 type 8E/4 3Pole 63A rear outgoing thin circuit distribution condapter

型号 Model No.	外形尺寸 Outline size	备注 Remark
DXFZ-5.1C/16	175×549×45	用于开档尺寸为550柜体后出线 Used for hole size 550 cubicle back wiring
DXFZ-5S.2/16		用于开档尺寸为550柜体旁出线 Used for hole size 550 cubicle side wiring
DXFZ-5S.3/16		用于开档尺寸为550柜体混装结构, 左8E/4,右8E/2,旁出线 Used for hole size 550 cubicle mixed structure, Left in 8E/4, Right in 8E/2, side outgoing
DXFZ-5S.4/16		用于开档尺寸为550柜体混装结构, 带端子盒后出线 Used for hole size 550 cubicle mixed structure, with terminal box in back wiring

**订货说明: DXFZ-5 型转接器需与 DXTC-1.371、DXTC-1.372、DJCF12 配套**

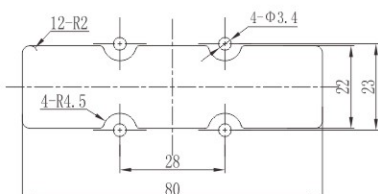
Ordering instructions: The DXFZ-5 adapter needs to be matched with DXTC-1.371, DXTC-1.372, and DJCF12

**进线插头 8E/4 DXTC-1.371**  
Incoming plug 8E/4 DXTC-1.371



插头钣金开孔示意图  
Plug sheet metal hole diagram

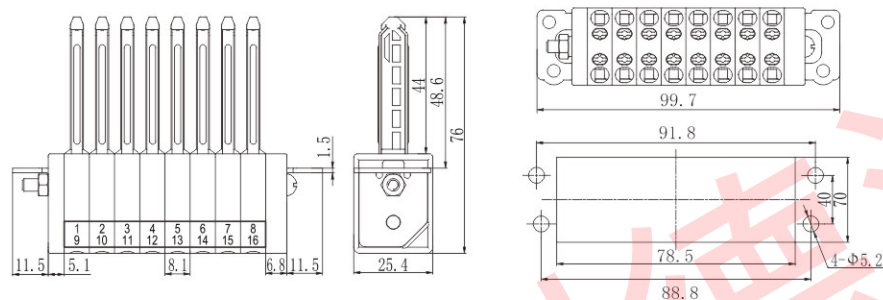
**出线插头 8E/4 DXTC-1.372**  
Outgoing plug 8E/4 DXTC-1.372



插头钣金开孔示意图  
Plug sheet metal hole diagram

**DJCF12 二次插头 DJCF12.31/8 (长): 试验位置和连接位置均可接通**

DJCF12 secondary plug DJCF12.31/8 (long): both the test and connection positions can be connected



插头钣金开孔示意图  
Plug sheet metal hole diagram

**8E/2抽屉**  
8E/2 drawer



**主要电气参数:**

- 额定工作电压: 主回路400V/690V;
- 辅助回路: 220V/380V(110V直流);
- 额定电流: 125A;
- 额定绝缘电压: 690V。

**Main electrical parameters:**

- Rated working voltage: Main circuit 400V/690V;
- Auxiliary circuit: 220V/380V (110V DC);
- Rated current: 125A;
- Rated insulation voltage: 690V.

**主要特点:**

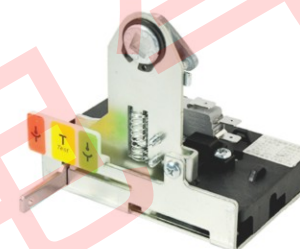
- 抽屉有手拉式或手摇式推进可选, 操作简便;
- 抽屉具有分离、试验、连接三位置显示, 分别可在试验和连接位置锁定抽屉;
- 抽屉试验位置到连接位置行程24mm;
- 抽屉二次常规16线, 最大可至32线;
- 抽屉深度450深, 有150高和200高之分;
- 抽屉出线侧插头可使用带互感器一次插头, 抽屉内部空间更大, 可安装更多元器件。

**Main Character:**

- Hand-pulled or hand-cranked operating mechanism, which is easy to operate;
- Three display positions: separation, testing, and connection, and can be locked at the testing or connection positions;
- Travel distance from test position to the connection position is 24mm;
- Secondary connectors lines up to 16 wires, maximum up to 32 wires;
- Drawer depth 450mm, with height in 150mm and 200mm for choice;
- Outgoing side plugs can be equipped with transformer primary plug, with more large capacity to install more electrical components.

**8E/2抽屉附件介绍**  
8E/2 Drawer Accessories

**DLJ 手拉机构**  
DLJ hand pull mechanism



DLJ1.X T DLJ1 手拉机构  
DLJ1. X T DLJ1 Hand Pulling Mechanism



DLJ1.10010 机构定位块  
DLJ1.10010 Mechanism block



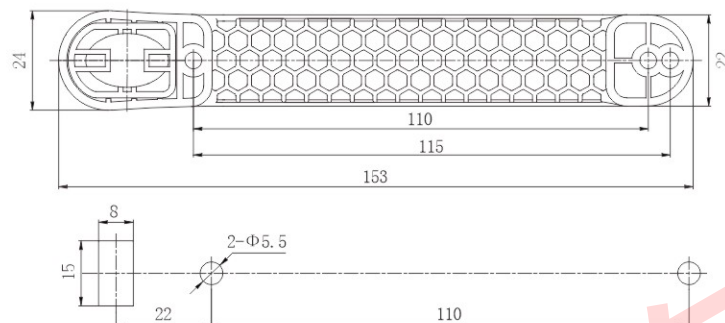
DLS2.10003 指示窗  
DLS 2.10003 Display

注: 机构详细介绍见 P02-P03页  
Note: The detailed introduction of the institution can be found on page P02-P03

1/2 手拉抽屉用拉手  
1/2 hand drawer handle



DLS8.111 带按钮拉手  
DLS8.111 with button handle

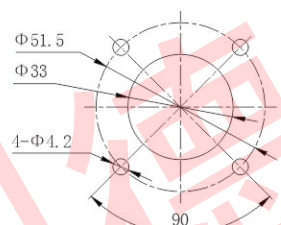


拉手开孔图  
Handle opening diagram

1/2抽屉通用附件  
1/2 drawer universal accessory



DSB8 系列开关小手柄  
DSB8 series switch handle



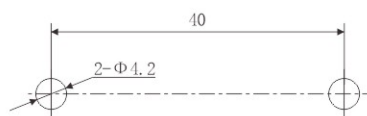
手柄开孔示意图  
Handle opening

手柄选型表  
Handle Selection Table

名称 The Name of the	型号 Model No.
8*8开关小手柄 8*8 Switch handle	DSB8-001
6*6开关小手柄 6*6 Switch handle	DSB8-002



DLT1.22小号标签框  
DLT1.22Small Label Box



钣金开孔图  
Sheet metal hole size



DTC-1.11004前档  
DTC-1.11004Front gear



DLC1.11209下导轨  
DLC1.11209Lower guide rail

1/2 抽屉用薄型电路分配转接器  
Thin circuit distribution adapter for 1/2 drawer

主要电气参数:

- 额定电压: 主回路 690V;辅助回路: AC220V/DC110V
- 额定绝缘电压: 690V
- 工频耐受电压: 2500V/min
- 额定电流: 主回路不大于 125A;辅助回路 10A
- 二次线数量 (单抽屉): 16、24、32 线

Main electrical parameters:

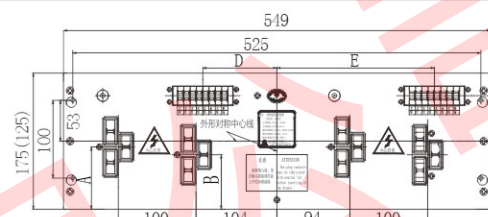
- Rated voltage: Main circuit 690V; Auxiliary circuit: AC220V/DC110V
- Rated insulation voltage: 690V
- Power frequency withstand voltage: 2500V/min
- Rated current: The main circuit shall not exceed 125A; Auxiliary circuit 10A
- Number of secondary wires (single drawer): 16, 24, 32 wires

说明: 订购转接器时需与一次、二次插头配套购买

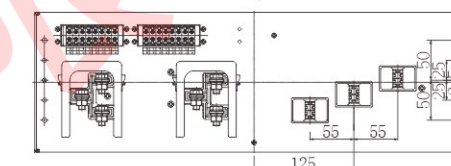
Explanation: When ordering adapters, they need to be purchased together with the primary and secondary plugs

DXFZ-8C 型三极 125A 后出线薄型电路分配转接器  
DXFZ-8C 3Poles 125A rear outgoing thin circuit distribution condapter

- 3极125A 后出线薄型转接器(抽屉中心距298mm)
- 3P 125A rear outgoing thin type circuit condapter (Central distance 298mm)



DXFZ-8型3极125A后出线薄型转接器正面示意图  
DXFZ-8 3Poles 125A rear outgoing thin circuit distribution condapter front views



DXFZ-8型3极125A后出线薄型转接器背面示意图  
DXFZ-8 3Poles 125A rear outgoing thin circuit distribution condapter back views

DXFZ-8C 型125A 后出线型号列表(抽屉中心距298mm)

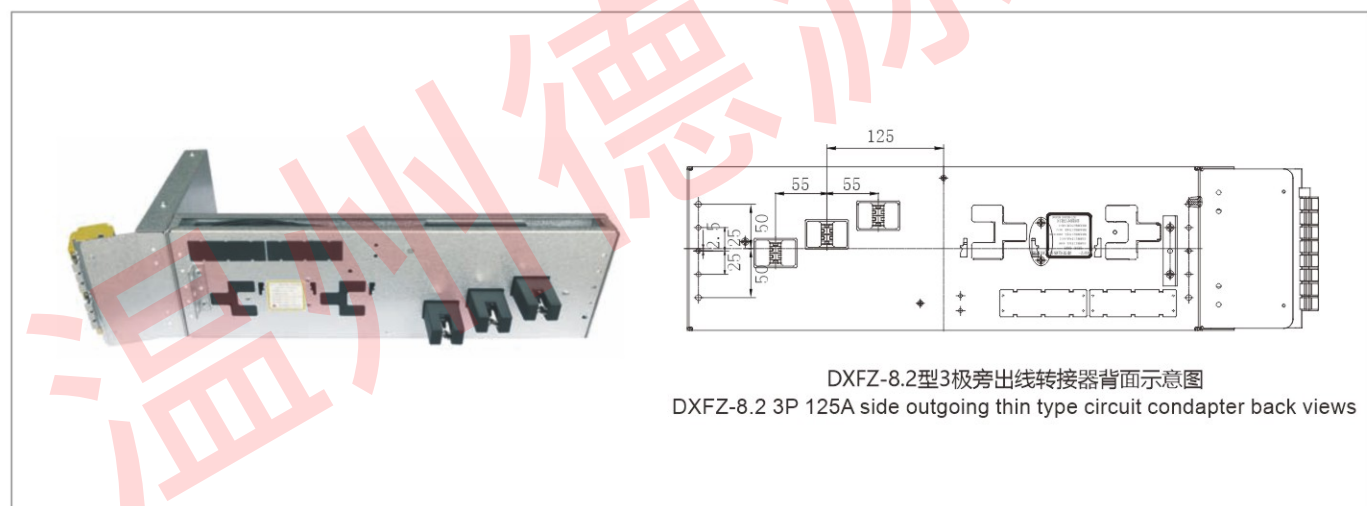
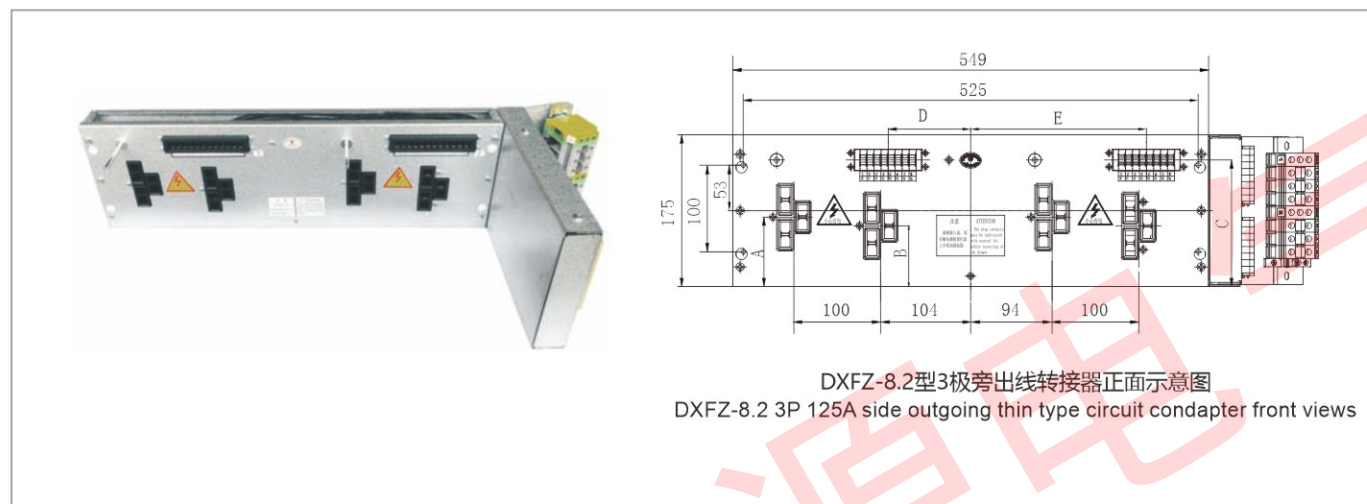
DXFZ-8C 3Poles 125A rear outgoing thin circuit distribution condapter (Drawer Central Distance 298mm)

型号 Model No.	A	B	C	D	E	外形尺寸 Outline Size	备注 Notes
DXFZ-8.1C/16				95.25	202.75	175x549x45	用于开档尺寸为550 25模数C型材 柜体
DXFZ-8.1C/24	80	70	146	111.5	186.5		
DXFZ-8.1B/32				127.5	170.5		
DXFZ-8.4C/16				95.25	202.75	125x549x45	Used for opening sizes 550 25 Modular Profile C switchgear enclosure
DXFZ-8.4C/24	54.5	44.5	107	111.5	186.5		
DXFZ-8.4B/32				127.5	170.5		

■ DXFZ-8 型三极 125A 旁出线薄型电路分配转接器

DXFZ-8 3Poles 125A side outgoing thin circuit distribution condapter

- 3极 125A 旁出线薄型转接器(抽屉中心距298)
- 3Poles 125A side wiring thin-type circuit distribution condapte(drawer central distance 298mm)



■ DXFZ-8.2 型三极 125A 旁出线型号列表(抽屉中心距298)

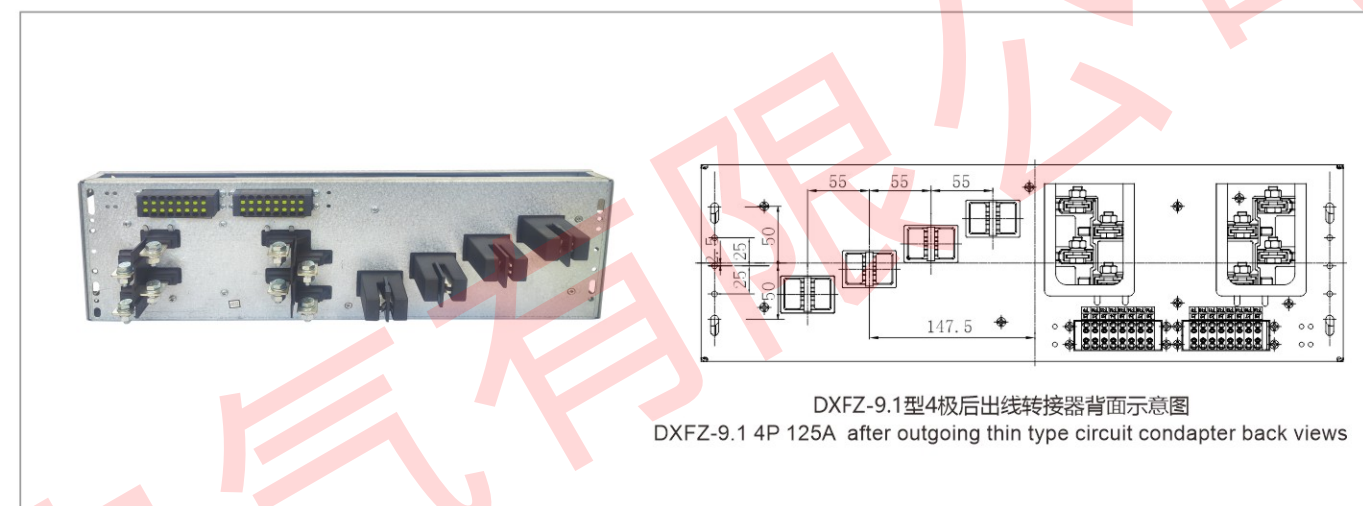
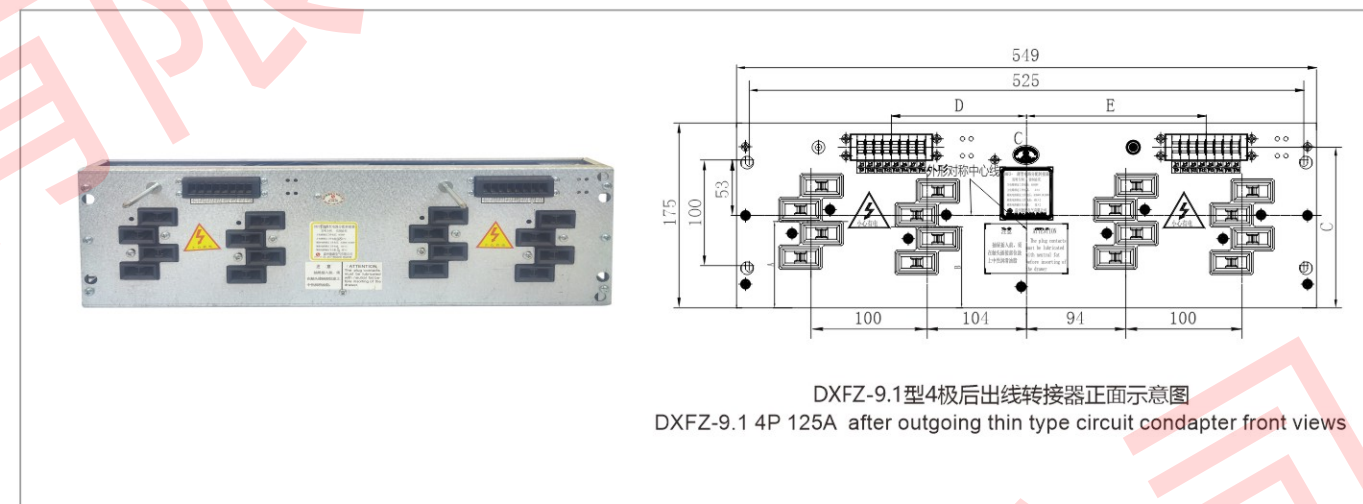
DXFZ-8.2 4Pole 125A Side Wiring Thin-type Circuit Distribution Condapte (Drawer Center Distance 298)

型号 Model No.	A	B	C	D	E	外形尺寸 Outline Size	备注 Notes
DXFZ-8.21B/16	80	70	146	95.25	202.75	175x549x45	用于开档尺寸为550 25模数C型材柜体 Used for opening cabinet with a size of 550 25 module C-shaped profile
DXFZ-8.21B/24				111.5	186.5		
DXFZ-8.21B/32				127.5	170.5		

■ DXFZ-9.1 型四极 125A 后出线薄型电路分配转接器

DXFZ-9.1 4Poles 125A rear outgoing thin circuit distribution condapter

- 4极 125A 后出线薄型转接器(抽屉中心距298)
- 4P 125A rear outgoing thin type circuit condapter (Central distance 298mm)



■ DXFZ-9.1 型四极 125A 后出线型号列表(抽屉中心距298)

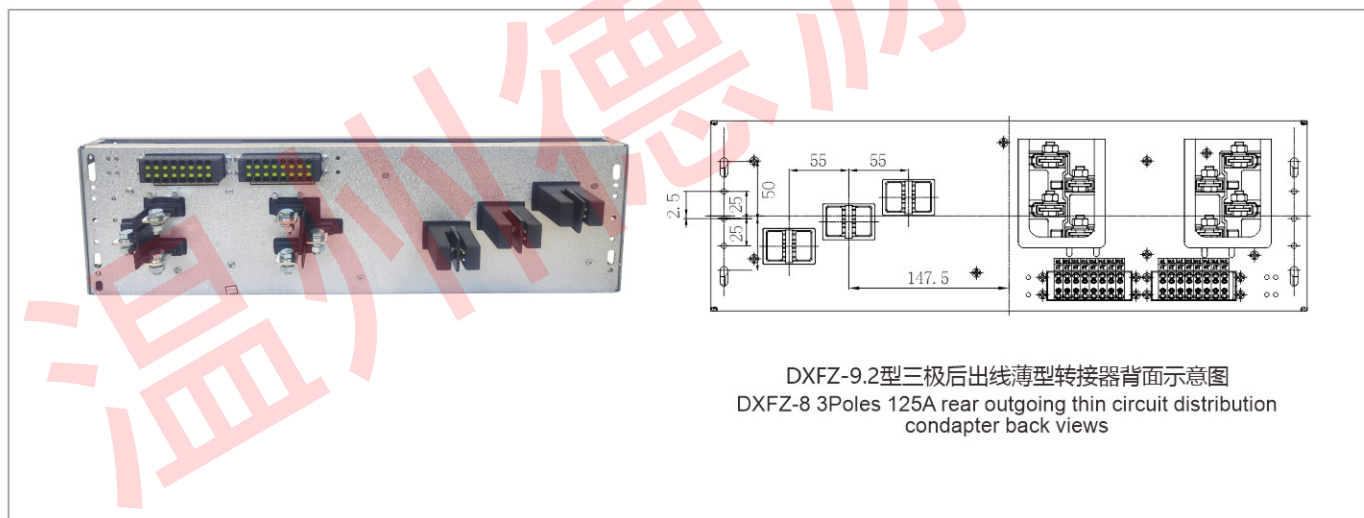
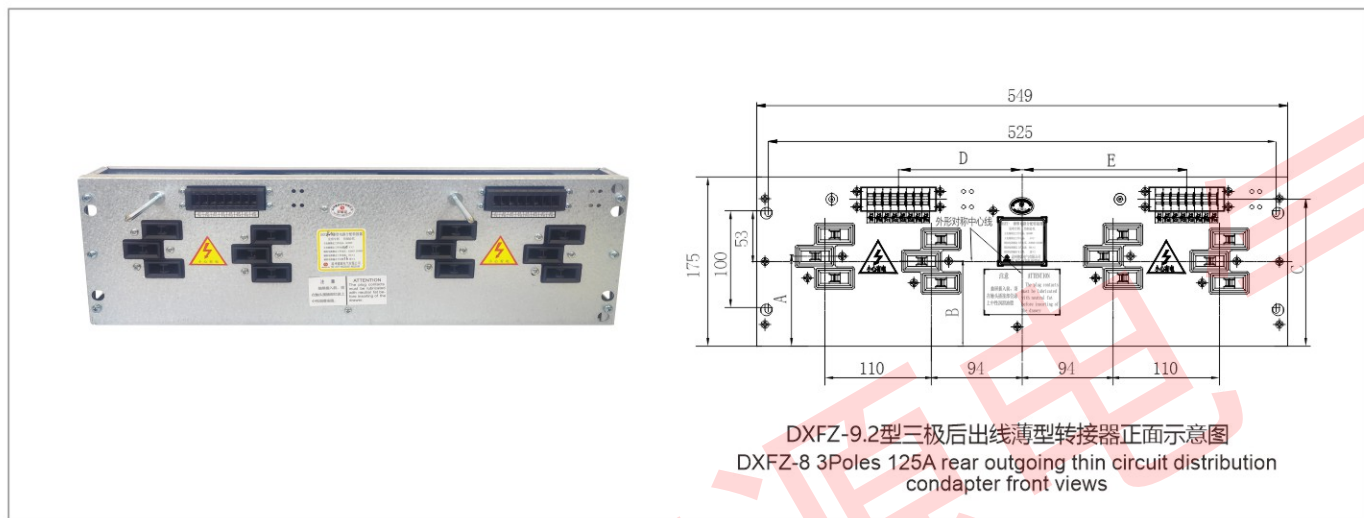
DXFZ-9.1 4P 125A rear outgoing thin type circuit condapter (Central distance 298mm)

型号 Model No.	A	B	C	D	E	外形尺寸 Outline Size	备注 Notes
DXFZ-9.11C/16	81.75	76.75	152	140	158	175x549x45	用于开档尺寸为550 25模数C型材柜体 Used for opening cabinet with a size of 550 25module C-shaped profile
DXFZ-9.11C/24				123.75	174.75		

■ DXFZ-9.2 型三极 125A 后出线薄型电路分配转接器

DXFZ-9.2 3Poles 125A rear outgoing thin circuit distribution condapter

- 3极 125A 后出线薄型转接器(抽屉中心距298mm)
- 3P 125A rear outgoing thin type circuit condapter (Central distance 298mm)



■ DXFZ-9.2 型三极 125A 后出线型号列表(抽屉中心距 298mm)

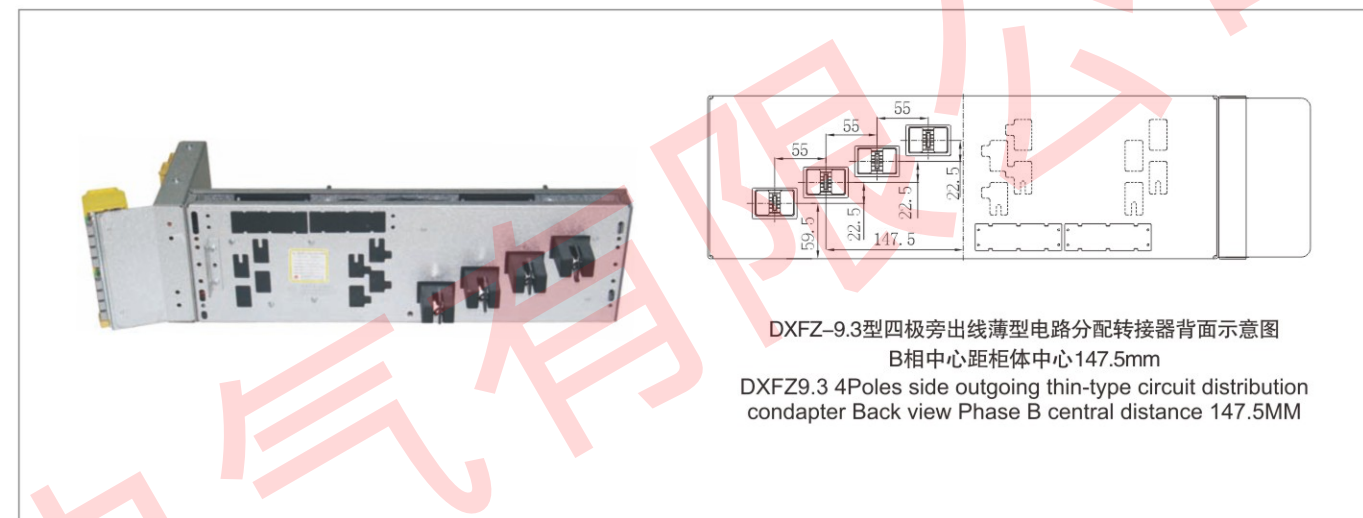
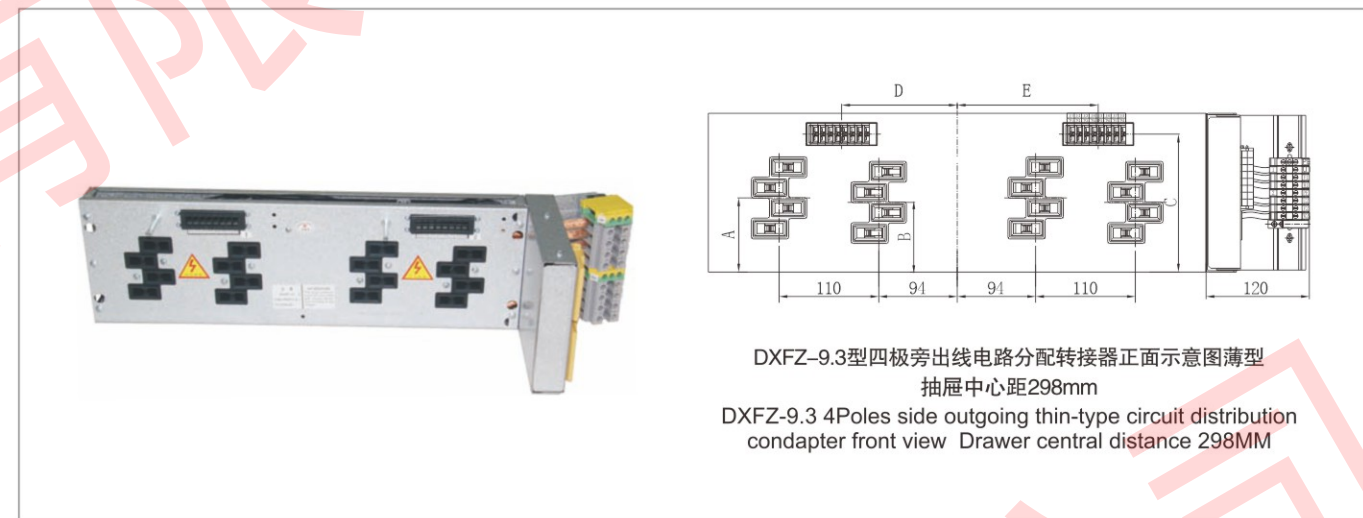
DXFZ-9.2 3P 125A rear outgoing thin type circuit condapter (Central distance 298mm)

型号 Model No.	A	B	C	D	E	外形尺寸 Outline Size	备注 Notes
DXFZ-9.21C/16	93	88	152	140	158	175x549x45	用于开档尺寸为550 25模数C型材柜体 Used for opening cabinet with a size of 550 25 module C-shaped profile
DXFZ-9.21C/24				123.75	174.75		

■ DXFZ-9.3 型四极旁出线薄型电路分配转接器

DXFZ-9.3 4Poles 125A Side Wiring Thin-type Circuit Distribution Condapter

- 4极125A旁出线薄型转接器(抽屉中心距298mm)
- 4Poles 125A side wiring thin-type circuit distribution condapte(drawer central distance 298mm)



■ DXFZ-9.3 型四极 125A 旁出线型号列表(抽屉中心距 298mm)

DXFZ-9.3 4Poles 125A Side Wiring Thin-type Circuit Distribution Condapte (Drawer Center Distance 298mm)

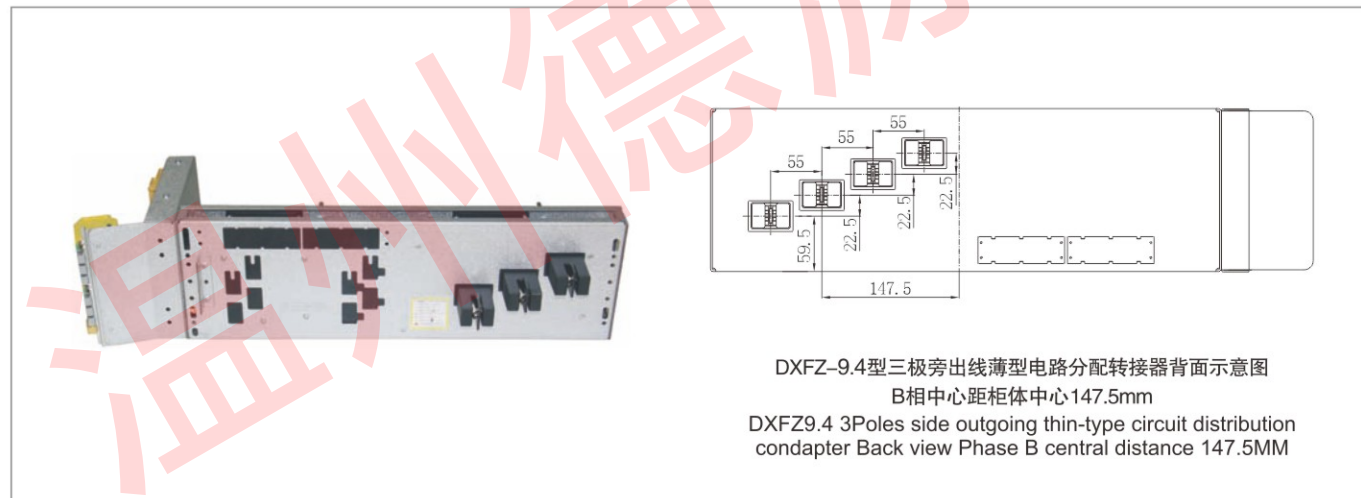
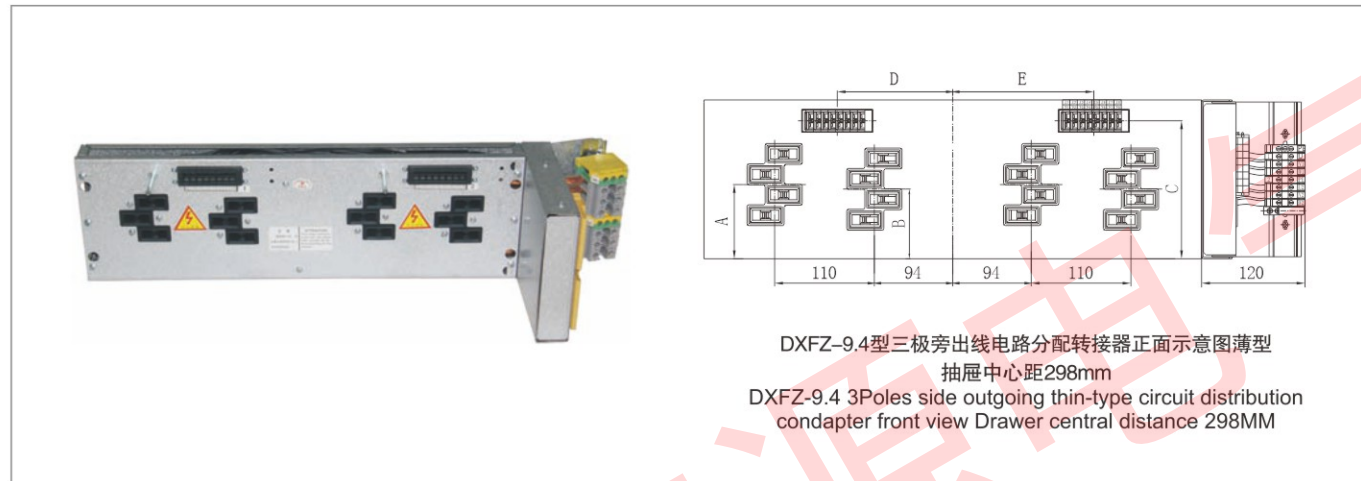
型号 Model No.	A	B	C	D	E	外形尺寸 Outline Size	带三位置功能的型号 With three-position function model	备注 Remark
DXFZ-9.31/16	81.75	76.75	152	140	158	175x549x45	DXFZ-9S.31/16	用于开档尺寸为550柜体 Used for hole size 550 cubicle
DXFZ-9.31/24				123.75	174.75		DXFZ-9S.31/24	

- 同类型三、四极转接器混装不必另外加工非标垂直母线  
3P and 4P condapters in same type no need to customize the vertical busbar

■ DXFZ-9.4型三极旁出线薄型电路分配转接器

DXFZ-9.4 Type 3Poles Side Wiring Thin-type Circuit Distribution Condapter

- 3极125A旁出线薄型转接器(母线位置同四极,抽屉中心距298mm)
- 3Poles 125A side wiring thin-type circuit distribution condapter (busbar position same with 4Poles, drawer central distance 298mm)



■ DXFZ-9.4型三极125A旁出线型号列表(抽屉中心距298mm)

DXFZ-9.4 3Poles 125A Side Wiring Thin-type Circuit Distribution Condapte(Drawer Central Distance 298MM)

型号 Model No.	A	B	C	D	E	外形尺寸 Outline Size	带三位置功能的型号 With three-position function model	备注 Remark
DXFZ-9.41/16	81.75	76.75	152	140	158	175×549×45	DXFZ-9S.41/16	用于开档尺寸为550柜体 Used for hole size 550 cubicle
DXFZ-9.41/24				123.75	174.75		DXFZ-9S.41/24	

- 同类型三、四极转接器混装不必另外加工非标垂直母线  
3P and 4P condapters in same type no need to customize the vertical busbar

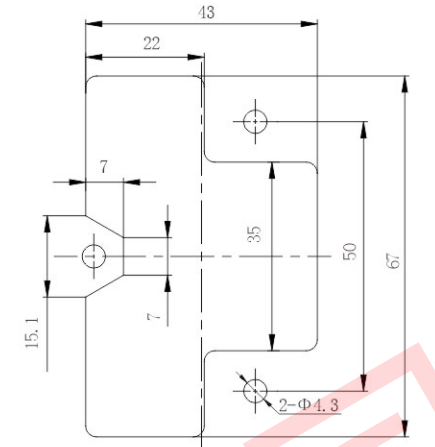
8E/2抽屉用一、二次插头

Primary and secondary connectors for 8E/2 drawers

■ 三极 125A 一次插头 (适配 DXFZ-8C 型转接器)  
3Poles 125A primary plug (DXFZ-8C Condapter)

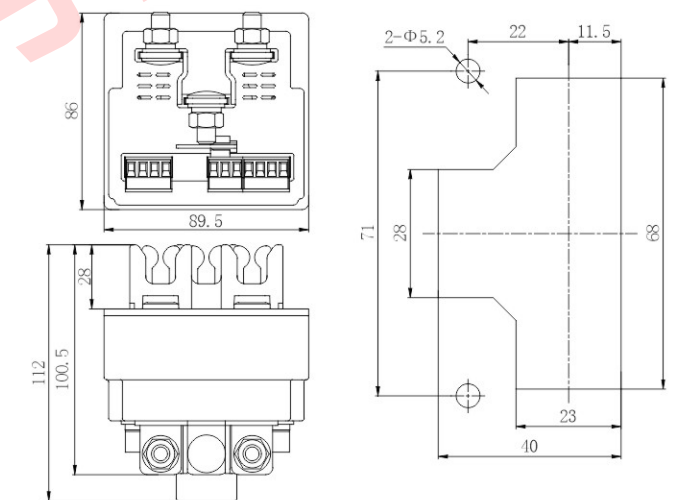


DLC1.2221 125A一次插头268  
(小抽屉进、出线)  
DLC1.2221 125A Primary plug 268  
(Drawer incoming and outgoing)



插头开孔示意图  
Plug hole

■ DXTCD-125A-HI型三极125A带互感器一次插头  
3-pole 125A primary plug with transformer  
Model: DXTCD-125A-HI



插头开孔示意图  
Plug hole



6E~24E 抽屉  
6E~24E drawer



主要电气参数:

- 额定工作电压: 主回路400V/690V
- 辅助回路220V/380V(110V 直流);
- 额定电流: 最大630A(6E~24E)
- 额定绝缘电压: 1000V;

Main electrical parameters:

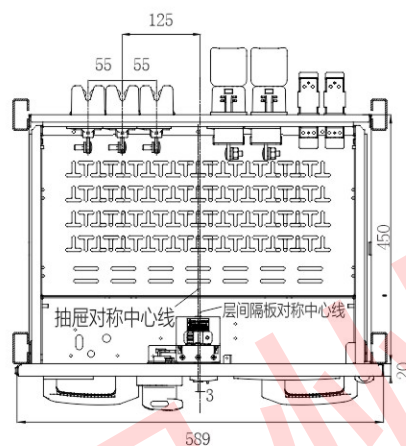
- Rated working voltage: Main circuit 400V/690V,
- auxiliary circuit: 220V/380V (110V DC);
- Rated current: 6E~24E (maximum 630A)
- Rated insulation voltage: 1000V;

主要特点

- 抽屉推进方式分为手拉式和手摇式;
- 抽屉具有分离、试验、连接三位置显示, 抽屉分离位置到试验位置, 试验位置到连接位置行程均为24mm;
- 单极插件可以适配市场上最小相间距25mm的塑壳开关以及其他相间距的塑壳开关; 可以适配150高抽屉(开关相间距25mm), 塑壳开关与动插件用铜排按相距直连, 无需转向搭接铜排, 大大节省铜排用量; 动插头采用卡装设计, 仅需打一颗螺钉即可完成安装; 二次插件动插头浮动式设计, 大大降低钣金加工精度, 二次线直插式设计, 提高二次接线效率;
- 抽屉出线侧单极插件可集成互感器, 抽屉无需安装传统互感器, 为其它元器件腾出安装空间; 二次线数量150高抽屉可做到28线, 8E及以上抽屉可最多可做40线; 在互感器模块损坏的情况下可将该模块从插件上取下更换, 无需拆卸插件, 维护方便成本低;
- 抽屉手柄、拉手、门锁均引入人体工学概念, 让使用者更舒适, 其中门锁自带拉手, 固定门开关方便;
- 抽左右侧板采用双折边, 解决了板材毛刺划伤装配人员, 同时使抽屉与导轨配合更加顺滑;
- 抽屉可通过增加通讯插件, 实现试验位置和连接位置本地数据互联网传输;
- 抽屉钣金开孔图可与我司技术人员联系。

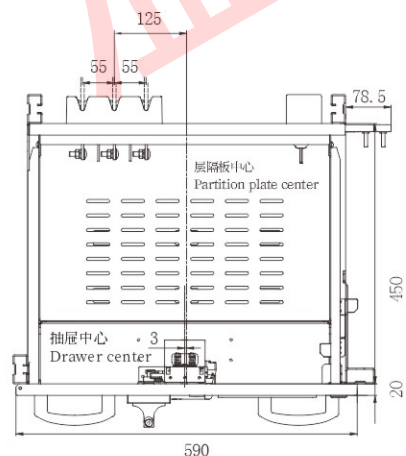
Main features

- Drawer pusher in hand-pull and hand-cranked type
- Three positions: separation, test, and connection. The travel from the drawer separation position to the test position and from the test position to the connection position is 24mm.
- The single-pole connectors can be matched with the MCCB in minimum phase distance 25mm and others; it can be adapted to 150mm height drawers (Circuit breaker pole distance 25mm). The MCCB and the moving connectors are directly connected with copper bars according to the phase distance, without turning and overlapping the copper bars, which greatly saves the copper bar usage; The moving connector adopts a Clip installation design, and only one screw needed to complete the installation; Secondary connectors in floating design which can greatly reduce the sheet metal processing accuracy, and improve the secondary connectors wiring efficiency;
- With single pole integrated the transformer for the drawer side outgoing, so the drawer does not need to install the traditional transformer, freeing up installation space for other electrical components. Secondary connector wires can be up to 28 wires for height 150mm, 40 wires for the 8E drawer; If in any case the transformer module is damaged, the module can be removed from the connectors and replaced without disassembling the connectors, which is convenient for maintenance and low cost.
- The drawer switch handles, handles and door locks all adopt ergonomic concepts to make users more comfortable. The door locks with handle, which makes it easy to open and close the fixed door.
- The left and right side panels of the drawer adopt double folding edges to prevent the burrs on the panels from scratching the assemblers, and at the same time make the drawer and the guide rail fit more smoothly;
- The drawer can realize the Internet transmission of local data at the test position and connection position by adding communication plug-ins
- Please feel free to contact us for the sheet metal hole sizes diagram.



后出线抽屉示意图

Schematic diagram of rear outlet drawer



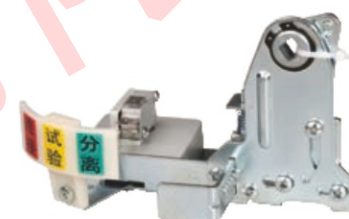
侧出线抽屉示意图

Schematic diagram of side outlet drawer

6E~24E手拉机构抽屉专用附件  
6E~24E Hand Pulling Mechanism Drawer Special Accessories

DLS6 型手拉机构(适用于单元手拉抽屉)

DLS-6 Series Hand-pull Operating Mechanism (For Unit Drawer)



DLS6手拉机构(含观察窗)  
DLS6 hand-pull Operating Mechanism  
(including observation window)



DLS6.11008 定位座  
DLS6.11008 Positioning plate



DLS6.11012 三位置定位座  
Three position positioning seat

功能特点:

- 该机构为手拉式推进机构, 操作简单, 锁定可靠;
- 具有分离、试验、连接三位置显示, 分别可在试验和连接位置锁定抽屉;
- 机构试验位置到连接位置行程24mm;
- 手柄孔高度到抽屉底板高度69/82/119mm(含底板料厚);
- 机构常规在试验位置标配一开一闭微动开关, 如需连接位置配置微动开关, 请在订单中注明;
- 电操功能机构在试验、连接位置各配一个微动开关型号: DLS6.D;
- 如需机构对应钣金图, 请联系我司技术部。

Functional features:

- The mechanism is a hand pulled propulsion mechanism, with simple operation and reliable locking;
- It has three display positions for separation, testing, and connection, and can lock the drawer in the testing and connection positions respectively;
- The stroke from the testing position to the connection position of the institution is 24mm;
- The height of the handle hole to the drawer bottom plate is 69/82/119mm (including the thickness of the bottom plate material);
- The institution is equipped with a one on and one off microswitch as standard in the testing position. If a microswitch needs to be configured in the connection position, please indicate it in the order;
- The electric operation function mechanism is equipped with a micro switch model at the testing and connection positions; DLS6.D;
- If you need the corresponding sheet metal drawings for the organization, please contact our technical department.

显示位置说明

Display Location Description



分离位置: 此位置抽屉可以推进和拉出;  
Separation position: The drawer can be pushed in and out at this position;



试验位置: 此位置二次回路接通, 一次回路断开, 抽屉被锁定;  
Test position: At this position, the secondary circuit is connected, the primary circuit is disconnected, and the drawer is locked;



连接位置: 此位置一次、二次回路均接通, 抽屉被锁定, 主开关可以合闸;  
Connection position: At this position, both the primary and secondary circuits are connected, the drawer is locked, and the main switch can be closed;



■ 显示位置说明

Display Location Description

分离

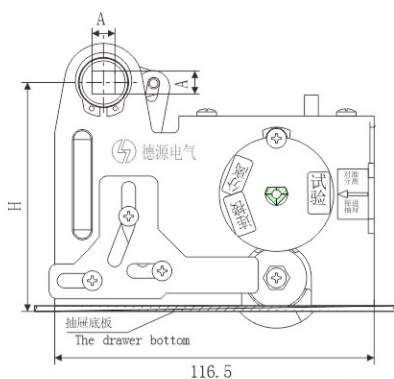
分离位置：此位置抽屉可以推进和拉出；  
Separation position: The drawer can be pushed in and out at this position;

试验

试验位置：此位置二次回路接通，一次回路断开，抽屉被锁定；  
Test position: At this position, the secondary circuit is connected, the primary circuit is disconnected, and the drawer is locked;

连接

连接位置：此位置一次、二次回路均接通，抽屉被锁定，主开关可以合闸；  
Connection position: At this position, both the primary and secondary circuits are connected, the drawer is locked, and the main switch can be closed;



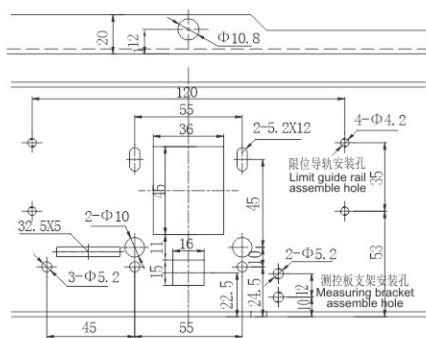
机构订货说明：  
Institutional ordering instructions:

- 订货时按照表中规格选型；
- 如需在连接位置带 1 组微动开关请在订单中注明；
- 机构对应抽屉钣金图请联系我司技术部。
- When ordering, select according to the specifications in the table;
- If one set of micro switches is required at the connection position, please indicate it in the order;
- Please contact our technical department for the corresponding drawer sheet metal drawings of the organization.

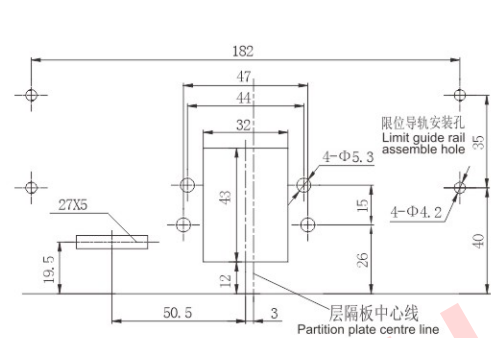
■ 机构选型表

Mechanism selection table

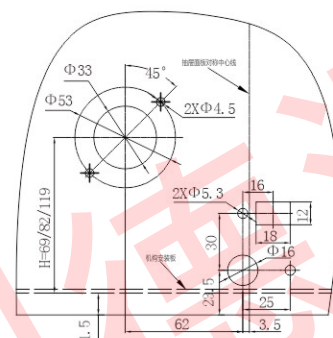
型号 Model No.	试验位置带1组 微动开关 With 1 set of micro-switch in the test position	电操型号 Motor model no.	A	H	备注 note
方轴 Square shaft	DJG-7.1T	DJG-7.TD	8.2	82	用于200高单元手拉抽屉 For height 200mm drawer in hand-pulled mechanism
	DJG-7.2T			69	用于150高单元手拉抽屉 For height 150mm drawer in hand-pulled mechanism
	DJG-7.3T			119	用于200高以上手拉抽屉 For height 200mm drawer in hand-pulled mechanism
适配8*8方轴 For shaft 8*8	DJG-7.3T-1		10.2	119	用于200高以上手拉抽屉 For height 200mm drawer in hand-pulled mechanism



抽屉底板开孔图  
Drawer baseplate hole drawing



抽屉层板开孔图  
Drawer layerplate hole drawing



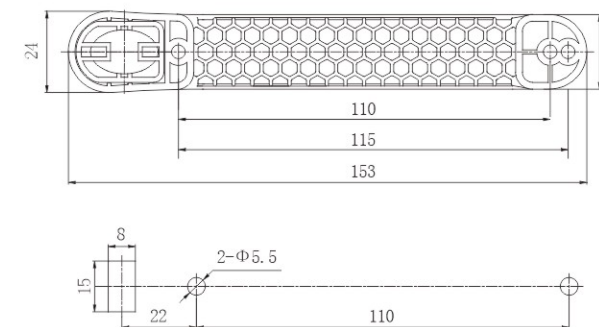
抽屉面板开孔图  
Drawer panel opening drawing

■ 单元手摇抽屉用拉手

Handle of hand-cranked drawer



DLS8.10003 右拉手  
DLS8.10003 Right Handle



拉手开孔图  
Handle opening diagram

■ 电操联锁机构 DJG-8.18

Electric interlocking mechanism DJG-8.18



■ 功能特点：

- 与电操手摇机构配套使用，操作手摇机构前必须先操作电操联锁机构解锁；
- 机构具有一开一闭微动开关，在断路器合闸状态操作联锁机构时，微动开关动作，主开关跳闸，防止带负荷摇出抽屉。

■ Functional features:

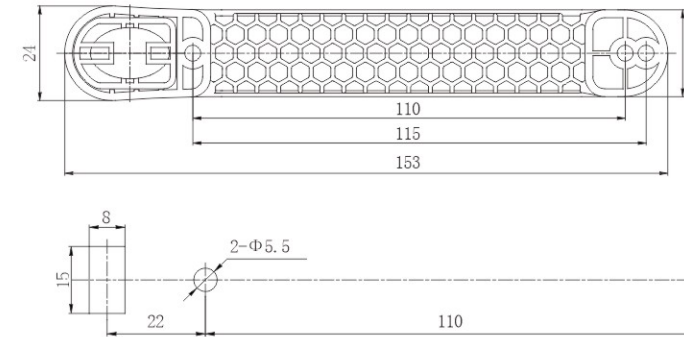
- When used in combination with electric hand-crank operating mechanism, please unlock the motor interlocking device when operating the hand-cranked operating mechanism
- The mechanism is with 1on1off micro-switch, When the interlock mechanism is operated and the circuit breaker in closing status, the main switch will trips to prevent the drawer from being shaken out with load.

■ 电操手摇抽屉按钮拉手

Electric operated drawer button handle



DLS8.111 带按钮拉手  
DLS8.111with button handle



拉手开孔图  
Handle opening diagram

6E~24E抽屉通用附件

6E~24E drawer universal accessories

■ 开启式仪表板

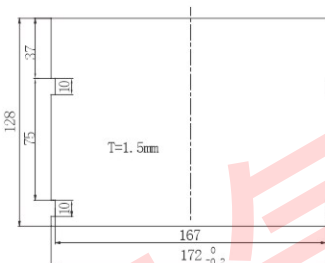
Open Type Instrumental Panel



DCT-2.313-3 开启式仪表板  
DCT-2.313-3 Open Type Instrumental Panel



MANL 121 047R1 测控板支架  
Measurement and control board bracket



客户自制钢板图  
Steel plate drawing

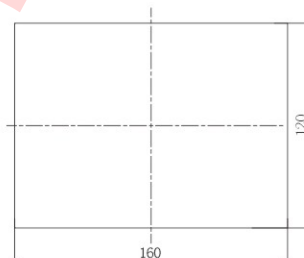
适用于H=200mm以上抽屉，仪表板为冷轧钢板，由用户开孔后喷塑。  
Used for drawer H=200mm above, instrument panel in cold rolled steel plate, sprayed by the user after opening hole



DCT-2.315 开启式仪表板  
DCT-2.315 Open Type Instrumental Panel



MANL 121 047R1 测控板支架  
Measurement and control board bracket



仪表板开孔区域范围  
Instrumental hole size

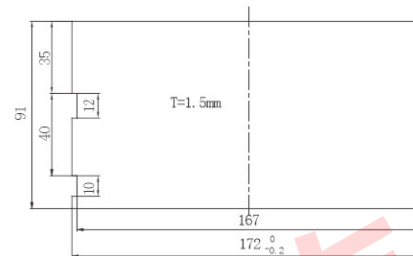
适用于H=200mm以上抽屉，仪表板开孔区域为塑料。  
Used for drawers in H=200mm and above, and the hole area of the instrument panel is plastic.



DCT-2.314-2 开启式仪表板  
DCT-2.314-2 Open Type Instrumental Panel



MANL 121 047R1 测控板支架  
Measurement and control board bracket



客户自制钢板图  
Steel plate drawing

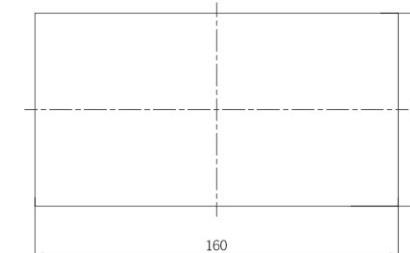
适用于H<200mm抽屉，仪表板为冷轧钢板，由用户开孔后喷塑。  
Used for drawer H<200mm above, instrument panel in cold rolled steel plate, sprayed by the user after opening hole



DCT-2.315 开启式仪表板  
DCT-2.315 Open Type Instrumental Panel



MANL 121 047R1 测控板支架  
Measurement and control board bracket



仪表板开孔区域范围  
Instrumental hole size

适用于H<200mm抽屉，仪表板开孔区域为塑料。  
Used for drawer H<200mm above, and the hole area of the instrument panel is plastic.

■ 单元抽屉导轨  
Drawer Guide Rail

■ 型号表  
Model List



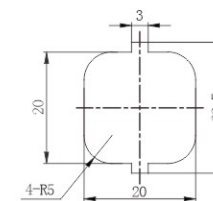
左右导轨  
Left and right guide rails

新图号 New drawing number	旧图号 Old drawing number	L
DTC.1.13401(左Left)	HANL 200 022P1	369
DTC.1.13402(右Right)	HANL 200 022P2	
DTC-1.13401-1(左Left)	HANL 200 022P1L	429
DTC-1.13402-1(右Right)	HANL 200 022P2L	
DTC.1.13401-5(左Left)	HANL 200 022P1G	469
DTC-1.13402-5(右Right)	HANL 200 022P2G	

■ 抽屉门锁  
Drawer door lock



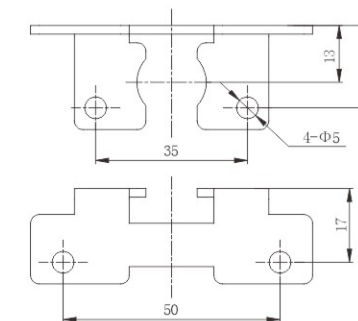
DMS3.36 带拉手门锁  
DMS3.36 Unlocking Lock



门锁开孔图  
The door opening diagram



DMS3.31004 门锁支架  
DMS3.31 004 Door Lock Bracket

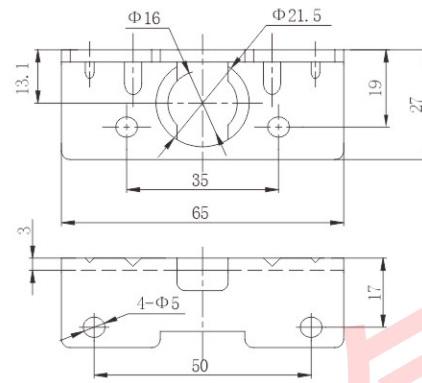




DMS3.33001 无折弯门锁支架  
DMS3.33001 Unbending Door Lock Bracket

注：  
此款支架可使侧板减少一道折弯，降低钣金加工难度

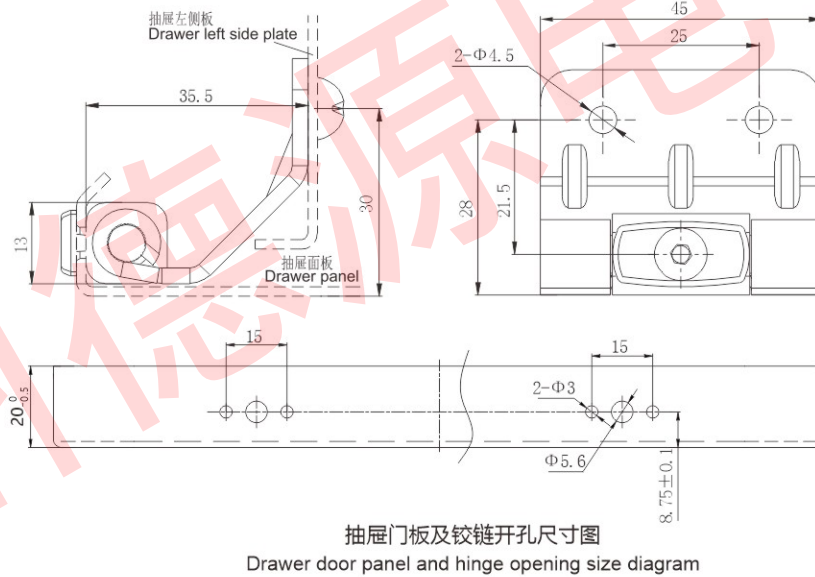
Note:  
This bracket can reduce one bending of the side panel and lower the difficulty of sheet metal processing



■ 抽屉暗铰链 DLC2.115  
Drawer concealed hinge



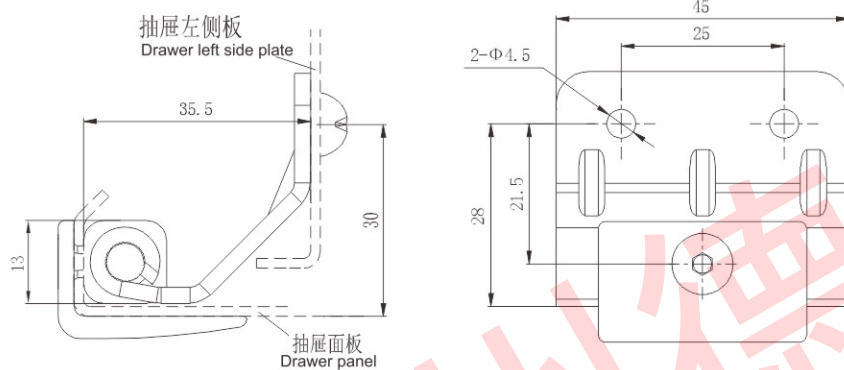
DLC2.115 抽屉暗铰链  
Drawer concealed hinge



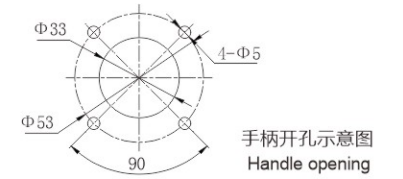
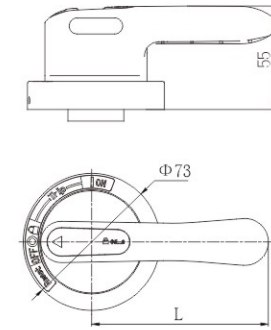
■ 抽屉明铰链 DLC2.116  
Door Hinges



DLC2.116 抽屉明铰链  
Door Hinges



■ 开关分合闸手柄  
Switch opening and closing handle



产品型号 Product Model	L	操作杆 Operating Shaft
DSB 8-003	95	L=95
DSB 8-004	95	L=95
DSB 8-005	37	L=37
DSB 8-006	37	L=37

■ 侧板附件  
Side panel accessories



DTC-1.13109 抽屉轮  
DTC-1.13109 Drawer Wheel



DTC-1.13110 十字平头轴肩自攻锁紧螺钉 M6×18  
DTC-1.13110 Cross flat head shoulder self tapping locking screw M6 × 18

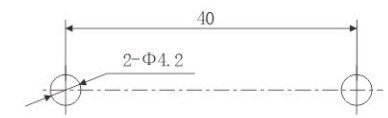


DLC2.11004 侧板螺钉 M5  
DLC2.11004 Side panel screw M5

■ 标签框 DLT1.21  
Label Box DLT1.21



标签框外形示意图  
Outline of the label frame

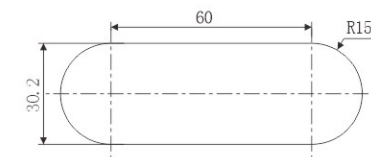


钣金开孔图  
Sheet metal opening diagram

■ 拎手护套 DLT1.11003 (用于 300 高及以上抽屉)  
Handle Jacket DLT1.11003 (Used for Drawer Height 300mm or above)



DLT1.11003 拎手护套  
Handle Jacket

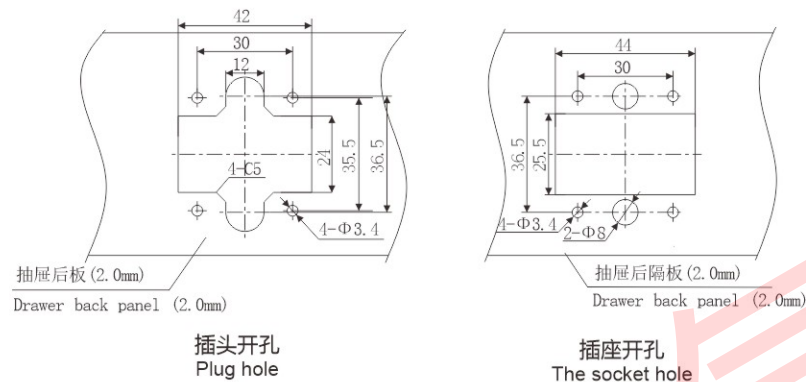


钣金开孔图  
Sheet metal opening diagram

■ 24E 金属抽屉把手 DTC-1.154-1  
24E Metal Drawer Handle DTC-1.154-1



**RJ45 通讯插件 RJ-1.1**  
Rj45 communication plugin RJ-1.1



**产品优点**

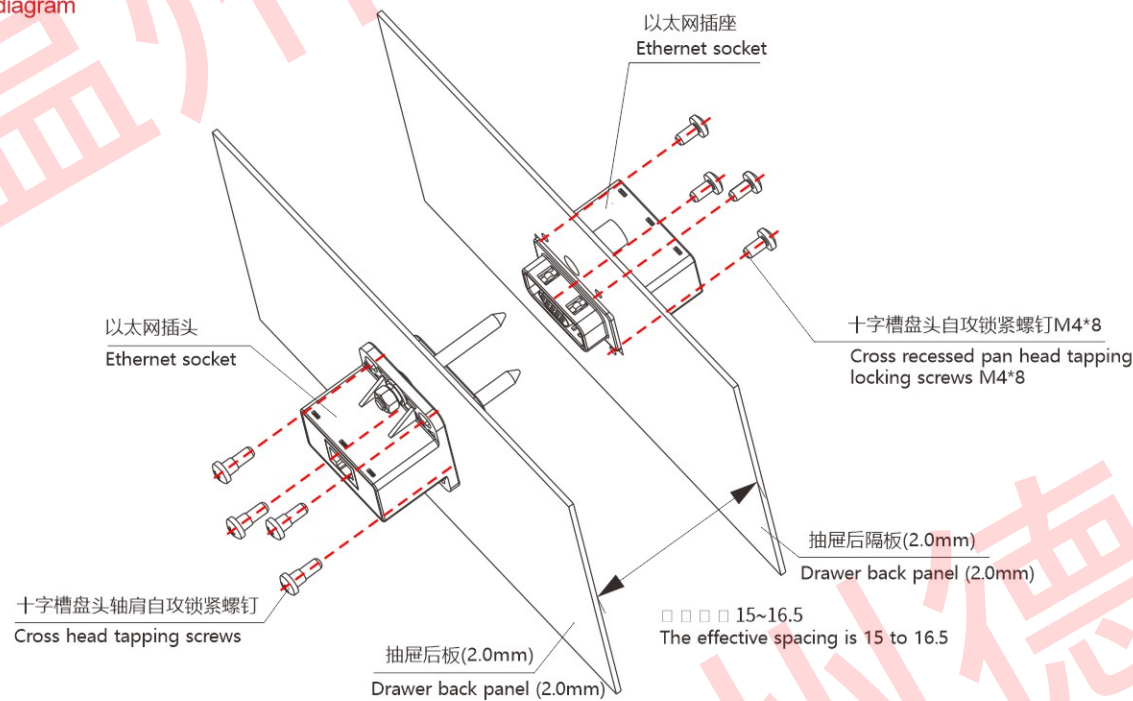
- 通讯插件分为金属屏蔽的RJ45以太网接口;
- 插头与插座接插端采用DB9接口;
- DB9接口与RJ45以太网接口采用特殊定制, 插针镀金处理, 保证接插稳定;
- 插头与插座具有导向针和塑料插口双重导向, 保证接插可靠;
- 插头和插座结构全部采用金属屏蔽, 保证通讯信号不收外部信号干扰, 传输稳定及时;
- 插件适用TCP/IP协议;
- 插件根据通讯协议不同最大传输速率达到100Mbps;
- 额定电压: 24V 额定电流: 1A;
- 与三位置延伸机构配套可实现抽屉在试验位置和连接位置连续接通。

**Product Advantages**

- The communication plug-in is divided into a metal-shielded RJ45 Ethernet interface;
- The plug and socket connector adopts DB9 interface;
- DB9 interface and RJ45 Ethernet interface adopt special custom, pin gold-plated treatment, to ensure the stability of the plug;
- The plug and socket have double guide needle and plastic socket to ensure reliable connection;
- The plug and socket structure are all made of metal shielding to ensure that the communication signal does not receive external signal interference, and the transmission is stable and timely;
- The plug-in is applicable to TCP/IP protocol;
- According to different communication protocols, the maximum transmission rate of the plug-in reaches 100Mbps;
- Rated voltage: 24V Rated current: 1A;
- With the three-position extension mechanism, the drawer can be connected continuously in the test position and the connecting position.

**安装示意图**

Installation diagram



**三位置延伸机构**  
Three position extension mechanism



RSZ1-11103-2 三位置延伸机构  
Three position extension mechanism

**产品优点**

- 体积小, 占用空间小
- 与通讯插件配合可实现试验位置到连接位置全过程接通
- 安装在右侧板上, 结构简单, 安装方便
- 机构对应抽屉钣金图纸请联系我司技术部

**Main Character**

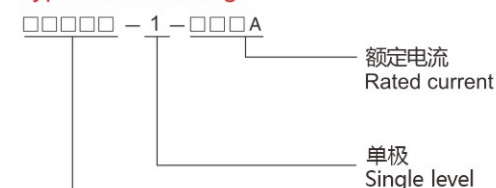
- It is small in size and occupies little space;
- The whole process of connecting the test position to the connection position can be connected with the communication plug-in;
- Mounted on the right panel, simple structure, easy installation;
- Please contact our technical department for the sheet metal drawing of the drawer corresponding to the organization.

**DCT(Z)1 型主电路接插件 (后出)**

DTC(Z)1 Series Main Circuit Connectors (Rear Wiring)

**型号及含义**

Type And Meaning



- DCT1A(单极动插件系列 Single pole moving connector series)
- DCT1D(单极互感器动插件系列 Single pole moving connector series with transformer)
- DCZ1A(单极静插件系列 Single pole fixed connector series)
- DJXZ1(单极进线罩 Single incoming cover)

类别 Type	技术参数 Technical Parameter	
一次侧 Main circuit	额定电压 Rated voltage:	380V/690V
	额定电流 Rated current:	80A、125A、250A、400A、630A
	额定冲击耐受电压 Rated impulse withstand voltage:	12kV
	额定绝缘电压 Rated Insulation Voltage:	1000V
	工频耐受电压 Power frequency withstand voltage:	3500V
二次侧 Auxiliary circuit	垂直母线相间距 Vertical bus phase spacing:	50mm/55mm
	垂直母线厚度 Vertical busbar thickness:	6mm
	设备最高电压 Maximum voltage of equipment:	Um ≤ 690V 50/60Hz
	工频耐受电压 Power frequency withstand voltage:	3000V
	二次电流 Secondary current:	1A
	精确级 Precision level:	0.5/0.2 (0.2级精度需特殊备注)
	额定负荷 Rated load:	0.5VA

■ 正常使用环境:

- 环境温度:  $-5^{\circ}\sim+40^{\circ}$ , 且在24h一个周期的平均温度不超过 $35^{\circ}\text{C}$ ;
- 海拔高度: 不超过2000m;
- 相对湿度: 最高温度为 $40^{\circ}\text{C}$ 时, 相对湿度不超过50%, 在较低的温度时允许有较高的相对湿度;
- 污秽等级: GB14048.1污染等级3环境中使用;
- 过电压类别: 不低于GB14048.1中的Ⅲ类。

■ Normal operating environment:

- Environmental temperature:  $-5^{\circ}\sim+40^{\circ}$ , and the average temperature within a 24-hour cycle does not exceed  $35^{\circ}\text{C}$ ;
- Altitude: not exceeding 2000m;
- Relative humidity: When the maximum temperature is  $40^{\circ}\text{C}$ , the relative humidity does not exceed 50%, and higher relative humidity is allowed at lower temperatures;
- Pollution level: GB14048.1 Pollution level 3 for use in the environment;
- Overvoltage category: not less than Class III in GB14048.1.

■ 产品特点:

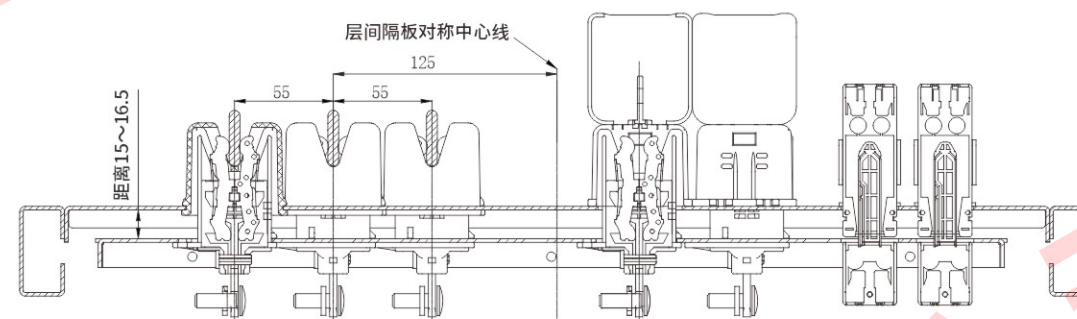
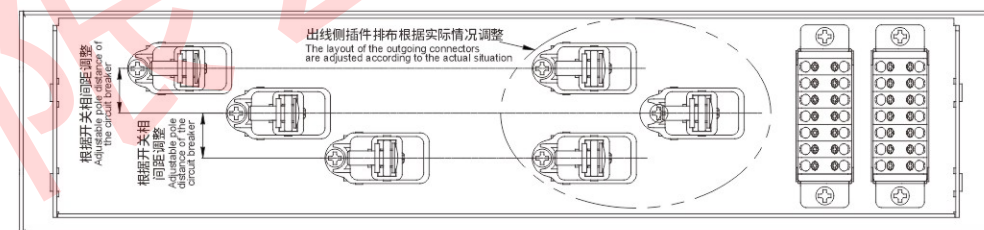
- 安装灵活: 可适应不同的垂直排相间距需求, 同时可适配所有品牌的塑壳开关相间距;
- 模块设计: 将动插件和互感器设计成独立模块, 两模块通过卡扣固定, 可以取下来独立安装, 一旦互感器损坏可独立更换, 无需更换插件, 降低维护成本;
- 快速安装: 动插件外壳设计定位卡块, 插入安装孔后向一侧滑动, 仅需一颗螺钉即可完成安装, 垂直排防护罩卡扣式设计, 轻推入安装孔即可, 内部设计防护格栅, 防护等级达IP20;
- 散热好: 动、静插件外壳设计多处散热孔, 能有效降低插件温升;
- 强度高: 静插件采用上下两侧螺钉固定, 且在上下两侧增设加强筋, 承受导线挂重能力大大增强;
- 经济: 出线侧可使用互感器插件, 无需单独安装互感器, 减少铜排使用和安装工时;
- 高精度: 互感器采用高品质材料, 常规测量精度可达0.5级,最高可达0.2级。

■ Product features:

- Flexible installation: can adapt to different vertical phase spacing requirements, and can also adapt to the phase spacing of all brands of plastic shell switches;
- Module design: The plug-in and transformer are designed as independent modules, which are fixed by buckles and can be removed for independent installation. Once the transformer is damaged, it can be replaced independently without the need to replace the plug-in, reducing maintenance costs;
- Quick installation: The plug-in housing is designed with a positioning card block, which can be inserted into the installation hole and slid to one side. Only one screw is needed to complete the installation. The vertical protective cover is designed with a buckle style, which can be easily pushed into the installation hole. The internal design is a protective grille, with a protection level of IP20;ers in the test position and connection position.
- Good heat dissipation: The outer shell of the dynamic and static plug-in units is designed with multiple heat dissipation holes, which can effectively reduce the temperature rise of the plug-in units;High strength: The static plug-in is fixed with screws on both upper and lower sides, and reinforcement ribs are added on both sides, greatly enhancing the ability to withstand the weight of the wire hanging;
- Economy: Transformer plugins can be used on the output side, eliminating the need for separate installation of transformers, reducing the use and installation time of copper bars;
- High precision: The transformer is made of high-quality materials, and the conventional measurement accuracy can reach level 0.5, with a maximum of level 0.2.

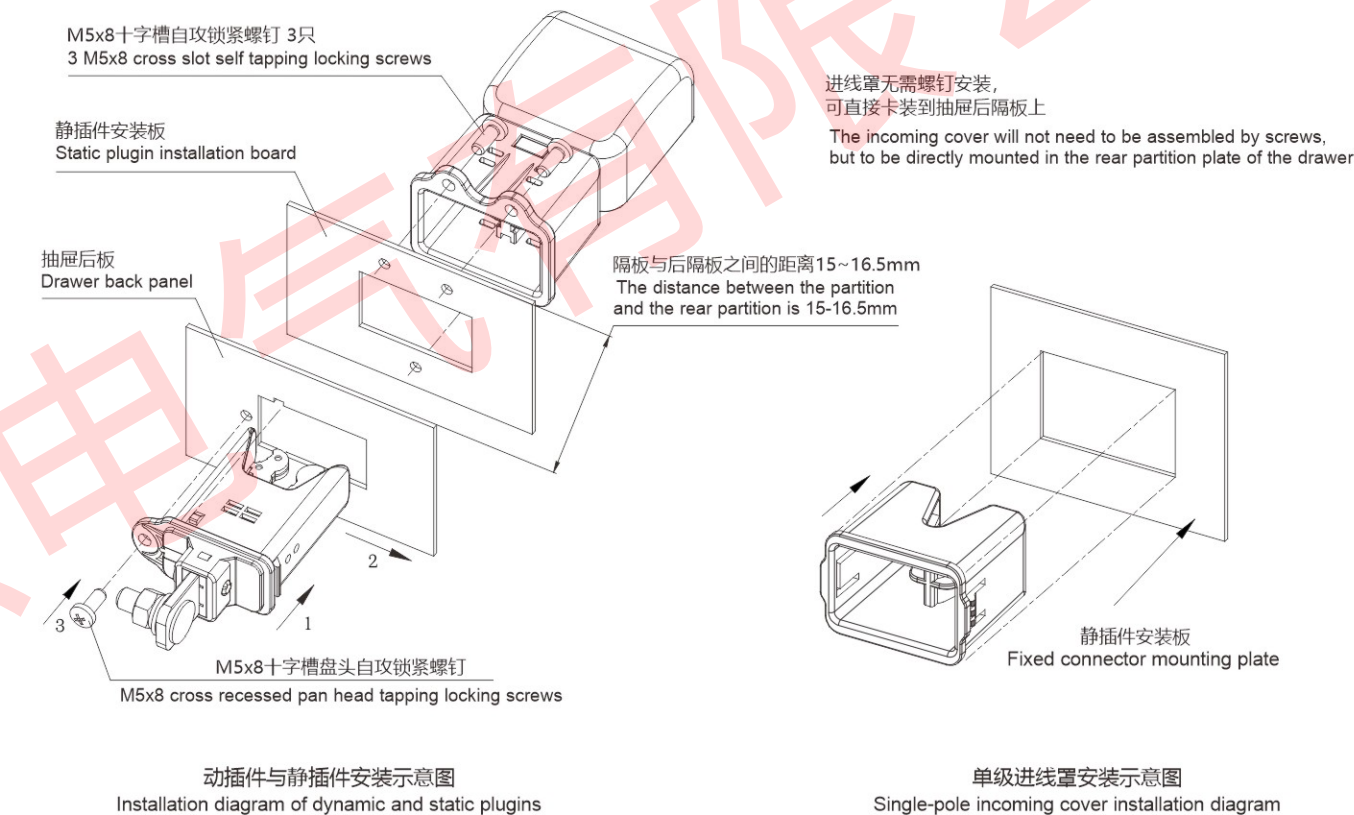
■ 单极插件后出线方案示意图

Single Pole Connectors Rear Wiring Diagram



■ 单极动、静插件及进线罩安装示意图

Single pole moving & fixed connectors, incoming cover installation diagram

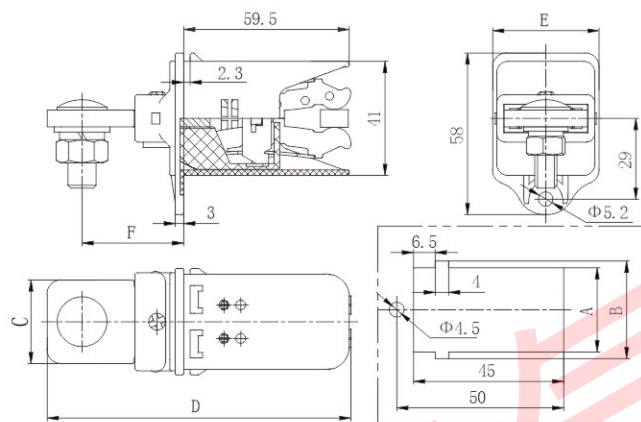


■ 单极动插件外形及开孔尺寸

Single Pole Moving Connectors Outlines & Hole Size



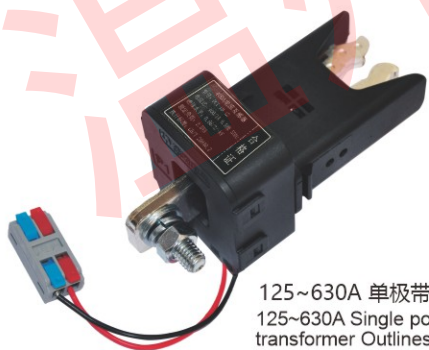
80~630A 单极动插件外形及开孔图  
630A Single Pole Fixed Connectors Outlines & Hole Size



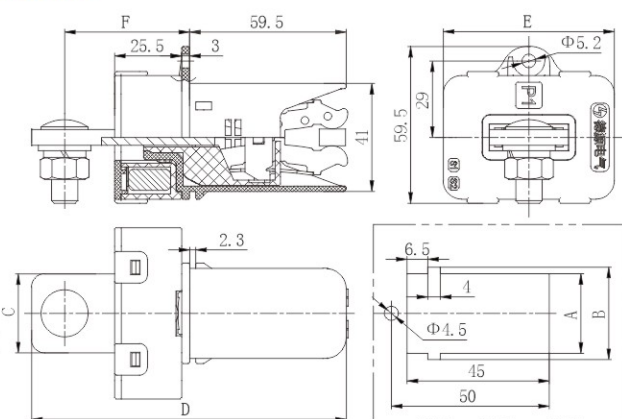
产品规格 Product specifications	A	B	C	D	E	F	螺栓规格 Bolt specification
DCT1A-1-80A	24.5	29	18	99	28.2	30.5	M8
DCT1A-1-125A			20	101		32.5	
DCT1A-1-250A			30	109		36.5	
DCT1A-1-400A	34.5	39	30	109	38.2	36.5	M10
DCT1A-1-630A	44.5	49	40	117	48.2	42.5	M12

■ 单极带互感器动插件外形及开孔尺寸

Single Pole Moving Connectors with transformer Outlines & Hole Size



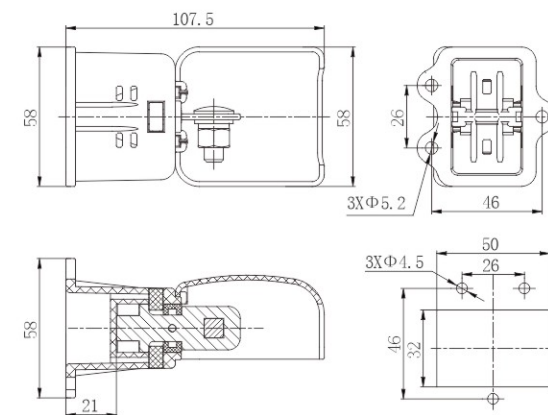
125~630A 单极带互感器动插件外形及开孔图  
125~630A Single pole Moving connectors with transformer Outlines & Hole Size



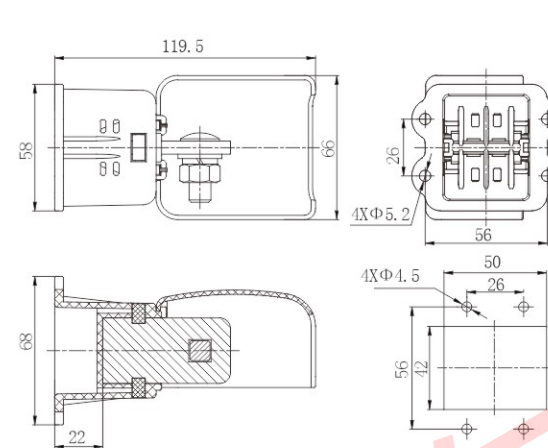
产品规格 Product Specifications	A	B	C	D	E	F	螺栓规格 Bolt Specification
DCT1D-1-125A	24.5	29	20	112	55	42.5	M8
DCT1D-1-250A						43.5	
DCT1D-1-400A	34.5	39	30	119.5	65	47.5	M10
DCT1D-1-630A	44.5	49	40	123	75	53.5	M12

■ 单极静插件外形及开孔尺寸

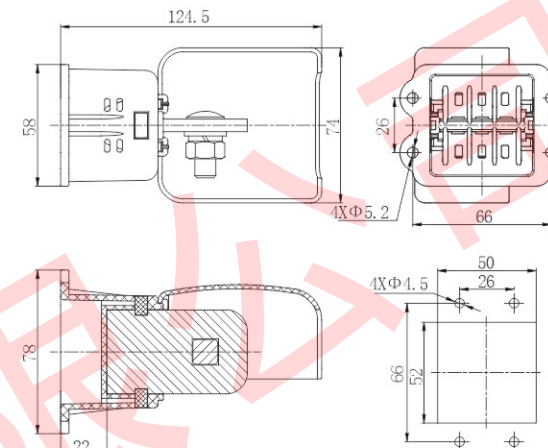
Single Pole Fixed Connectors Outlines & Hole Size



DCZ1A-1-80A~250A单极静插件外形及开孔图  
DCZ1A-1-80A-250A Single Pole Fixed Connectors Outlines & Hole Size



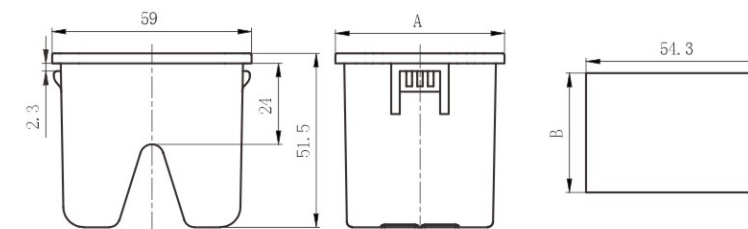
DCZ1A-1-400A 单极静插件外形及开孔图  
DCZ1A-1-400A Single Pole Fixed Connectors Outlines & Hole Size



DCZ1A-1-630A单极静插件外形及开孔图  
DCZ1A-1-630A Single Pole Fixed Connectors Outlines & Hole Size

■ 一次进线罩外形及开孔图

Outline and opening diagram of a wire inlet cover



产品规格 Product specifications	名称 Name	A	B
DJXZ1-1-80~250A	80~250A单极进线罩80~250A Single Pole Incoming Cover	40	35.3
DJXZ1-1-400A	400A单极进线罩400A Single Pole Incoming Cover	50	45.3
DJXZ1-1-630A	630A单极进线罩630A Single Pole Incoming Cover	60	55.3

## DCT(Z)2型主电路接插件(侧出)

DCT (Z) Type 2 Main Circuit Connector (Side Out)

### 型号及含义

Type And Meaning

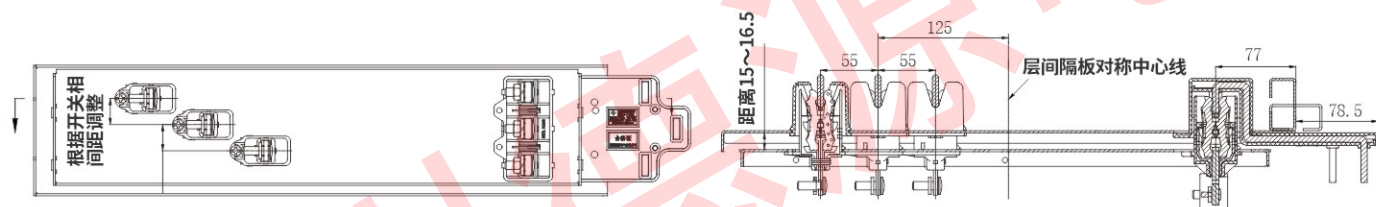
D C □ □ - □ □ - □ □ A

额定电流  
Rated current  
极数  
Number of poles  
相距代号 ( B为55mm )  
Phase Distance (B=55mm)  
设计序号  
Design code  
T为插头、Z为插座  
T for plug, Z for socket  
接插件  
Connector  
温州德源电气有限公司  
Wenzhou Deyuan Electric Co., Ltd.

### 主要技术参数

Main Technical Parameters

额定电压 : AC690V  
Rated voltage: AC690V  
额定电流 : 125A、250A、400A、630A  
Rated current: 125A、250A、400A、630A  
额定绝缘电压 : 1000V  
Rated insulation voltage: 1000V  
工频耐受电压 : 3500V  
Power frequency withstand voltage: 3500V  
垂直母线厚度 : 6mm  
Vertical busbar thickness: 6mm



单极插件侧出方案示意图

Single Pole Connector (Side Outgoing) Outline Sizes

### 产品优点:

DCT2系列主电路接插件是我公司开发用于经济型侧出线方案的一次接插件,作为单一回路出线用。可以与DCT6C系列接插件配套使用,用于经济型55mm相距的侧出线方案抽屉。也可以与DCT9系列接插件配套使用,用于半块功能板方案的侧出线方案。

- 插件的插片结构采用双夹头设计原理,卡扣等零件采用进口不锈钢材料隔离,减少因涡流引起的温升;
- 插片之间有凸点隔开,而不是直接的叠加,增加了插片之间的表面积,散热和导电效果更好;
- 插片与铜排接触位置对应的插头壳位置有通风孔,便于散热降低温升;
- 插件的电流规格为125A、250A、400A、630A。可适用于最小模数为H=150mm的6E抽屉,实现经济型抽屉150mm高抽屉的侧出,替代GCS的侧出方案。

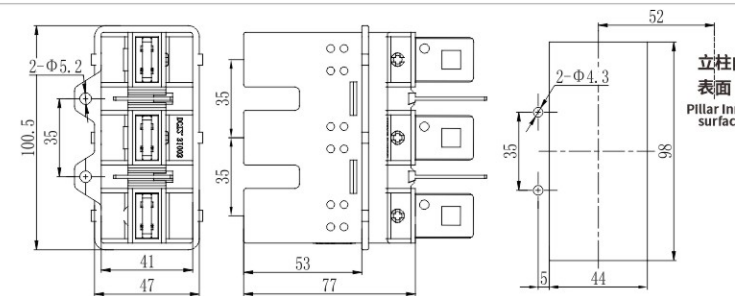
### Product advantages:

DCT2 SERIES MAIN CIRCUIT CONNECTOR IS A PRIMARY CONNECTOR DEVELOPED BY our company for economic side outgoing scheme, which can be used as a single circuit outgoing together With DCT6C Series connectors; Used for pole distance in 55mm side outgoing drawers, it Can also be used with DCT9 series connectors for side outgoing solutions for half-function board solutions.

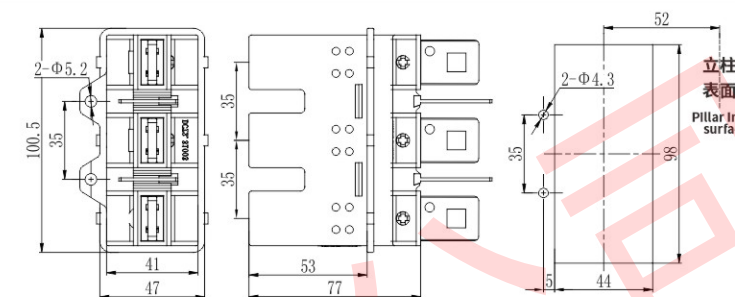
- Connector contacts structure adopt the double-chuck design principle, and the buckles and other parts are isolated with imported stainless steel materials to reduce the temperature rise caused by eddy currents;
- The contacts are separated by bumps instead of being directly stacked, which increases the surface area of the plugs and makes the heat and conductivity better;
- Ventilation holes at the plug shell position corresponding to the contact position between the plug and the copper busbar to facilitate heat dissipation and reduce temperature rise;
- Connector current specifications in 125A, 250A, 400A, and 630A, which can be applied to minimum modular in 6E drawer H=150mm, which can realizing economical drawer 150MM side outgoing, for replacing the GCS side outgoing solution.

## DCT2型主电路接插件(侧出)

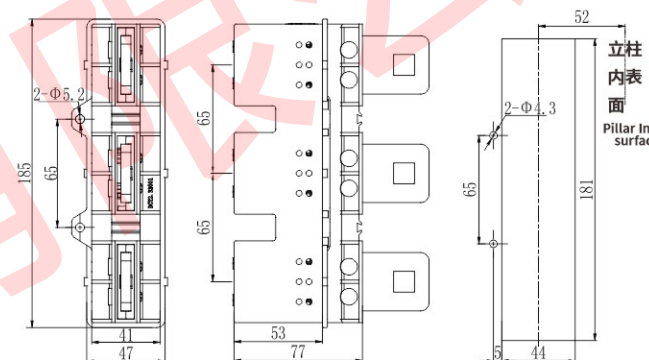
DCT2 Series Main Circuit Connectors(Side Wiring)



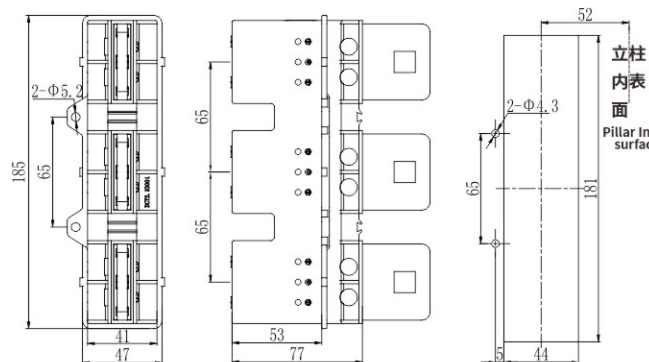
DCT2-B-3-125A 125A侧出插件外形及开孔图  
DCT2-B-3-125A 125A Side wiring moving connectors outline & hole size



DCT2-B-3-250A 250A侧出插件外形及开孔图  
DCT2-B-3-250A 250A Side wiring moving connectors Outlines & hole size

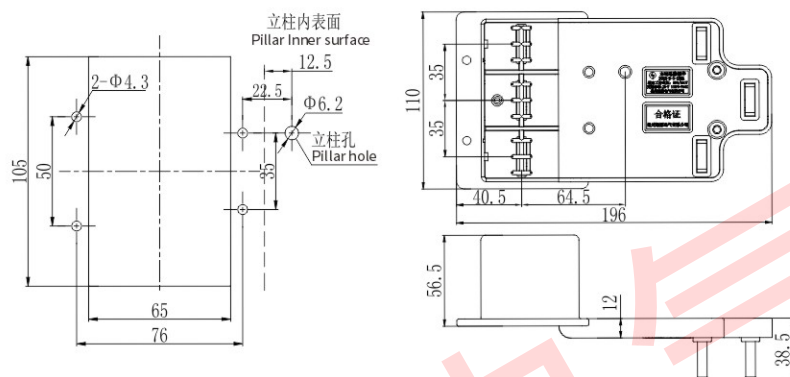


DCT2-B-3-400A 400A侧出插件外形及开孔图  
DCT2-B-3-400A 400A Side wiring moving connectors Outlines & hole size

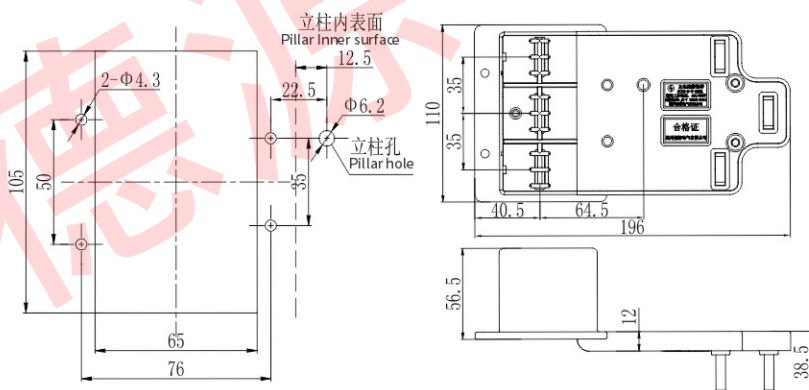
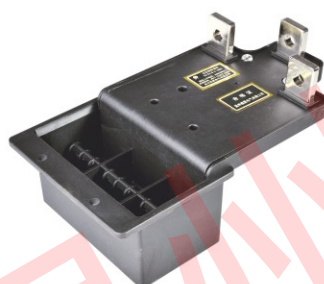


DCT2-B-3-630A 630A侧出插件外形及开孔图  
DCT2-B-3-630A 630A Side wiring moving connectors Outlines & hole size

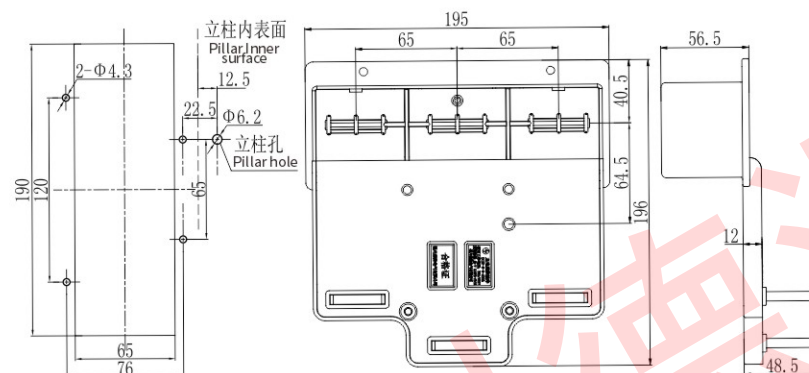
■ DCZ2型主电路接插件（侧出）  
DCT2 Main Circuit Connector (Side Wiring)



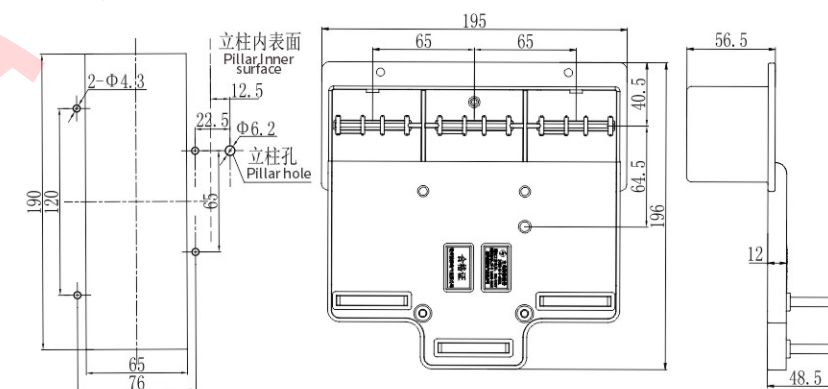
DCZ2-B-3-125A 125A侧出静插件外形及开孔图  
DCZ2-B-3-125A 125A Side wiring fixed connectors outline & hole size



DCZ2-B-3-250A 250A侧出静插件外形及开孔图  
DCZ2-B-3-250A 250A Side wiring fixed connectors outlines & hole size



DCZ2-B-3-400A 400A侧出静插件外形及开孔图  
DCZ2-B-3-400A 400A Side wiring fixed connectors outlines & hole size



DCZ2-B-3-630A 630A侧出线静插件外形及开孔图  
DCZ2-B-3-630A 630A Side wiring fixed connectors outlines & hole size

■ 产品优点:

- 插件的插片结构采用双夹头设计原理，卡扣等零件采用进口不锈钢材料隔磁，减少因涡流引起的温升。
- 插片之间有凸点隔开，而不是直接的叠加，增加了插片之间的散热表面积，散热和导电效果更好。
- 插片与铜排接触位置对应的插头壳位置有开通风孔，便于散热降低温升。
- 125A~250A外形开孔一致，400A~630A外形开孔一致。

■ Product advantages:

- Connector contacts structure adopt the double-chuck design principle, and the buckles and other parts are isolated with imported stainless steel materials to reduce the temperature rise caused by eddy currents
- The contacts are separated by bumps instead of being directly stacked, which increases the surface area of the plugs and makes the heat and conductivity better.
- Ventilation holes at the plug shell position corresponding to the contact position between the plug and the copper busbar to facilitate heat dissipation and reduce temperature rise.
- Outline hole size are the same for 125A~250A, and 400A~630A outline sizes are the same

■ 订货须知:

- 订货时请注明插件的型号，名称和规格，侧出线规格只有3极。
- 如果有其他特殊的需求，可与我公司技术部门联系。

■ Ordering Notice:

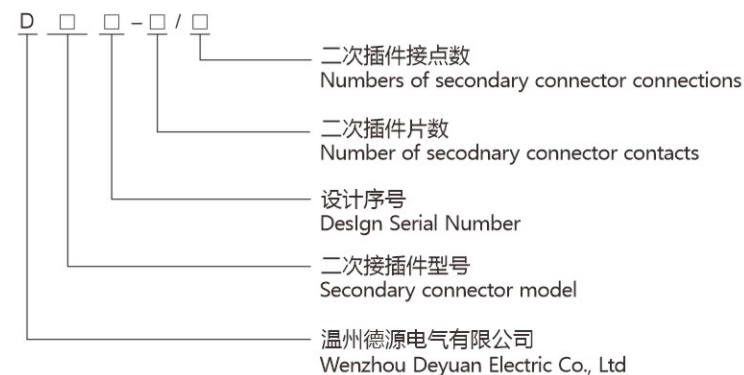
- Please clarify the model no. Of the connectors, description and specifications; Side wiring specification has only 3Poles
- Please feel free to contact us if any technical supports needed

### 抽屉二次接插件

Drawer secondary connector

#### 型号及含义

Type And Meaning



#### 主要技术参数

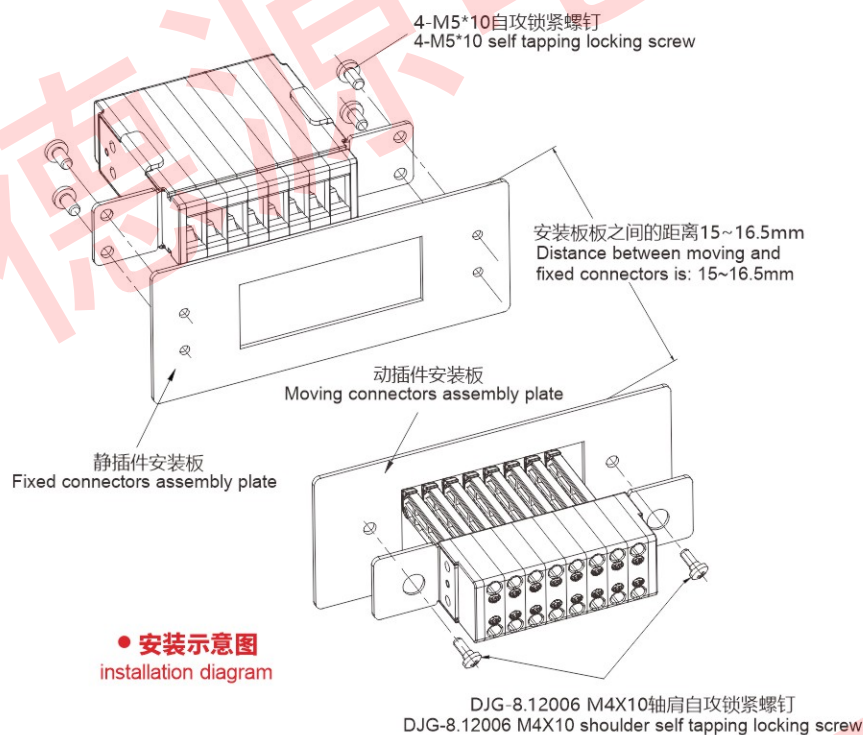
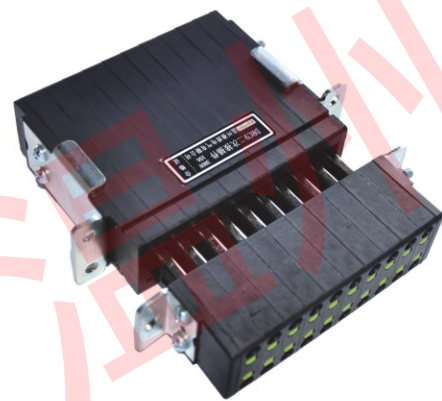
Main Technical Parameters

1. 额定电压: AC220V(380V),DC110V
2. 额定电流: 10A

1. Rated voltage: AC220V (380V), DC110V
2. Rated current: 10A

#### DRC9A 直插式二次插件(后出)

DRC9A Direct plug-in secondary connectors  
(Rear outgoing)



安装示意图  
Installation diagram

#### 产品优点:

- 与现有螺钉接线方式相比, 本方案具有接线快速, 效率高的优点;
- DRC9A插件可带试验接点, 订货时需注明;
- DRC9A插件将插头与插座的配合间隙调整到1mm, 降低抽屉与柜体配合精度, 二次插件安装采用M5自攻螺丝, 安装方便快捷;
- 二次动插件浮动设计, 与静插件接插更可靠;
- 抽屉处于试验位置时二次可接通;

#### Product advantages:

- Compared with the existing screw wiring method, this solution has the advantages of fast wiring and high efficiency;
- DRC9A Secondary connectors can be equipped with test contacts, please indicate when ordering;
- The DRC9A Secondary connectors adjusts the clearance between the plug and the socket to 1mm, lowers the drawer and the switchgear enclosure, and the secondary connector installation in M5 self-tapping screws, which is easy and fast to install with high precision.
- Floating design of the secondary connectors, which makes the connection with the fixed connectors more reliable;
- Secondary connectors of the drawer can be connected while the drawer in testing position

#### DRC9A 直插式二次插件订货表

DRC9A Direct Plug Secondary Plugin Order Form

名称 Name	型号 Model No.
DRC9A型二次接插件 DRC9A secondary connector	DRC9A-5/10
DRC9A型二次接插件 DRC9A secondary connector	DRC9A-6/12
DRC9A型二次接插件 DRC9A secondary connector	DRC9A-8/16
DRC9A型二次接插件 DRC9A secondary connector	DRC9A-10/20
DRC9A型二次接插件 DRC9A secondary connector	DRC9A-12/24

#### DRC9A直插式二次插件接线示意

DRC9A Direct plug-in secondary connectors wiring

导线预制:  
Prefabrication Wires:

①根据管型预绝缘端子规格长度将导线一端绝缘层剥去  
Strip the insulation cover of the wire according to the specification length of the tubular pre-insulated terminal.

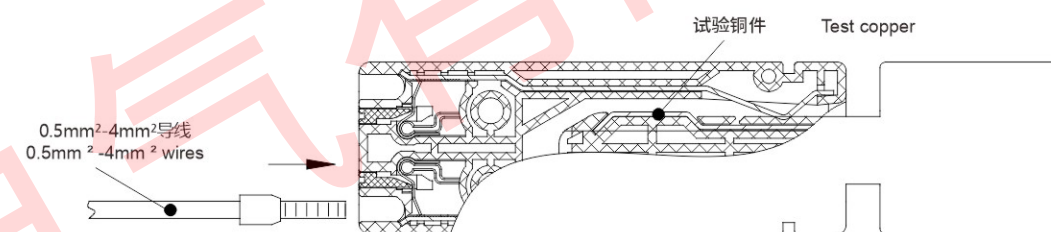
②将管型预绝缘端子与导线压接牢固  
After the wire is riveted to the pre-insulated copper tube, press the button below to insert it to the bottom to test the copper part.



#### 导线安装:

导线铆接预绝缘铜管后按下方示意直接插入到底即可试验铜件  
Wire installation:  
After the wire is riveted to the pre-insulated copper tube, the copper part can be tested by inserting the bracket as indicated below.

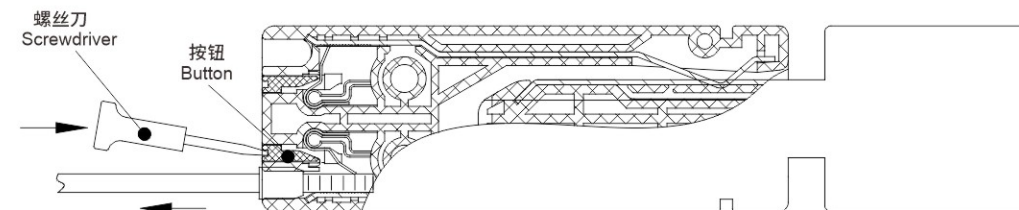
After the wire is riveted to the pre-insulated copper tube, the copper part can be tested by inserting the bracket as indicated below.



#### 导线拔出:

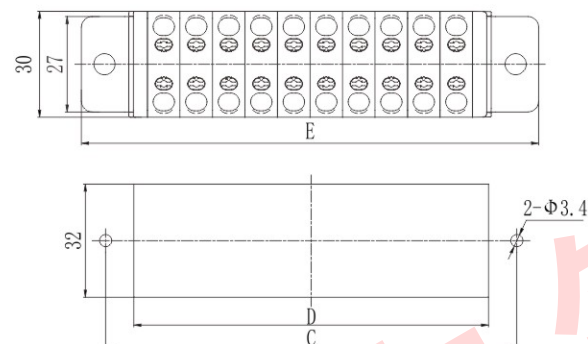
用螺丝刀向下按压按钮到底, 导线即可拔出  
Wire pull out:  
Press the button down with a screwdriver to the end, and the wire can be pulled out

Press the button down with a screwdriver to the end, and the wire can be pulled out



■ DRC9A 插头外形及安装尺寸列表

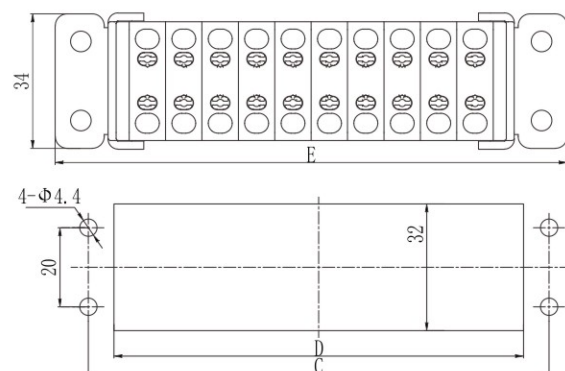
DCR9A Secondary Connector plug outline and installation dimensions



通用图号 General Drawing Number	C	D	E
DRC9AT-5/10	70.4	54.3	83.4
DRC9AT-6/12	79.6	63.5	92.6
DRC9AT-8/16	98	82	111
DRC9AT-10/20	116.4	100.5	129.4
DRC9AT-12/24	134.8	118.9	147.8

■ DRC9A 插座外形及安装尺寸列表

DCR9A Secondary Connector socket outline and installation dimensions



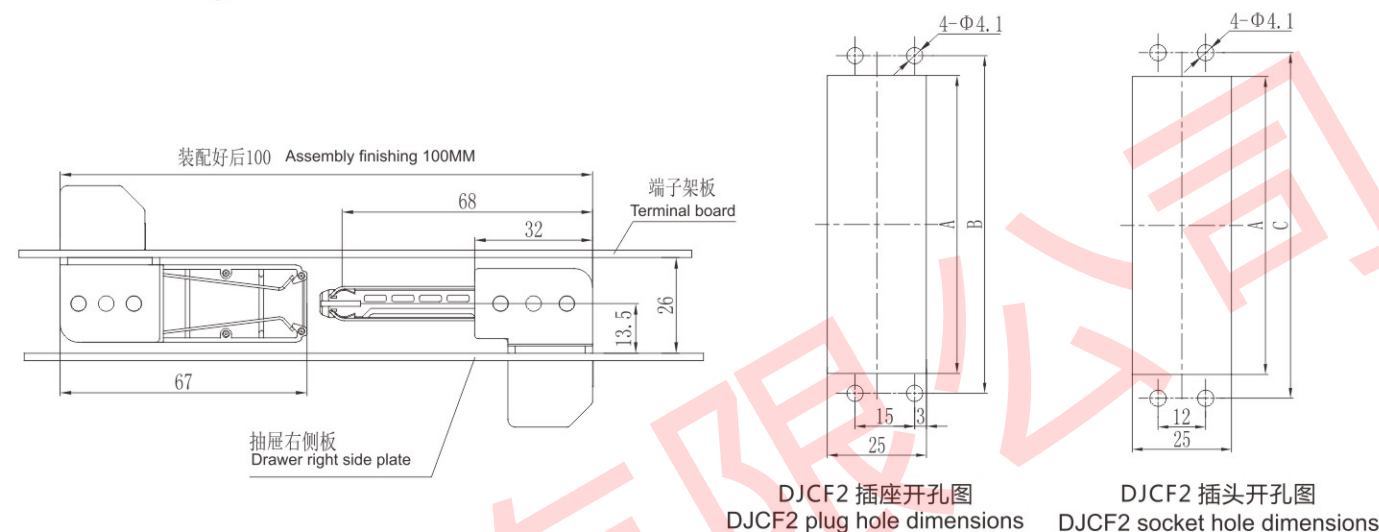
通用图号 General Drawing Number	C	D	E
DRC9AZ-5/10	70.4	57.3	83.4
DRC9AZ-6/12	79.6	66.5	92.6
DRC9AZ-8/16	98	85	111
DRC9AZ-10/20	116.4	103.5	129.4
DRC9AZ-12/24	134.8	121.9	147.8

■ DJCF2型二次接插件(侧出)

DJCF2 Series Secondary Connector(Side Wiring)



- DJCF2系列二次接插件是专用于经济型侧出线方案的二次，可以替代B8E-S8E使用，具有三位功能并可按要求加装实验端子。
- DJCF2 series secondary connector is designed for economical side out-going scheme, which can replace B8E-S8E, with three position function and terminals can be added also.



通用图号 General Drawing Number	A	B	C
DJCF2-6/12	58.8	68.8	70.6
DJCF2-8/16	75	85	86.8
DJCF2-12/24	107.4	117.4	119.2
DJCF2-15/30	131.7	141.7	143.5

■ 订货须知:

- 订货时注明二次插件的名称、型号和节数。
- 如果有其他特殊的需求，可与我公司技术部门联系。

■ Ordering Notice:

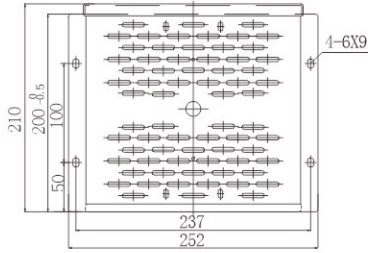
- Please clarify the model no. Of the connectors, description and specifications; Side wiring specification has only 3Poles
- Please feel free to contact us if any technical supports needed

■ 柜体附件

Cabinet accessories



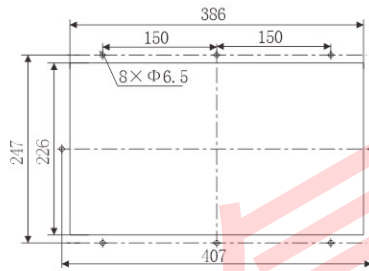
DTL-1.10081 分段式封闭罩  
Sectional enclosure



分段式封闭罩安装示意图  
Sectional enclosure



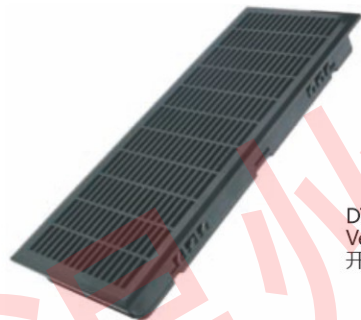
DLT1.16 柜顶通风罩  
DLT1.16 ventilation shield



柜顶通风罩开孔图  
Switchgear Top Ventilation  
Hole Size

■ 通风栅

Ventilation grid



DTL-1.11005 通风栅IP40  
Ventilation fence IP40  
开孔 Hole: 190x69



8LS 330 002  
小号筒型通风栅  
Small ventilation fence  
开孔 Hole: 190x69



DTL-1.11010 大号通风栅IP40  
Large ventilation grid IP40  
开孔 Hole: 449x69



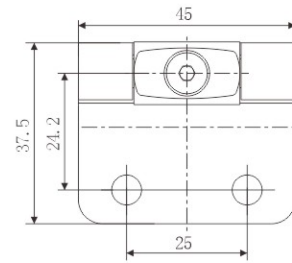
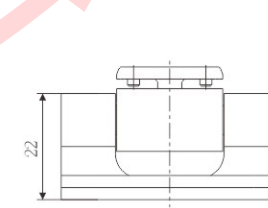
8LS 330 001  
大号筒型通风栅盖  
Big ventilation fence  
开孔 Hole: 449x69

■ 大门暗铰链 (前门) DLT1.131

Door dark hinge (front door) DLT1.131



两孔固定  
Two hole fixation



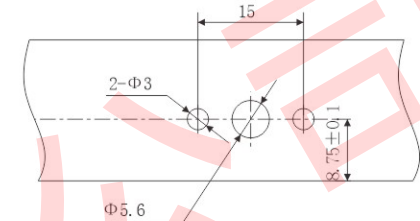
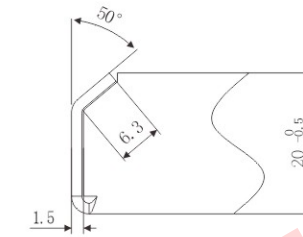
铰链外形尺寸图  
Outline dimension diagram of hinge

■ 大门暗铰链 (前门) DLT1.171

Door Concealed Hinge (Front Door)



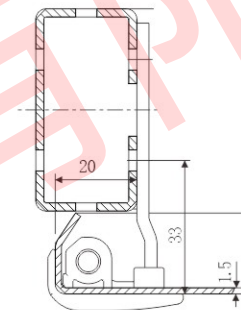
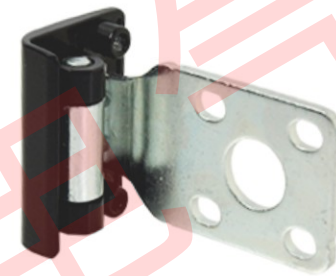
四孔固定  
Four fixed holes



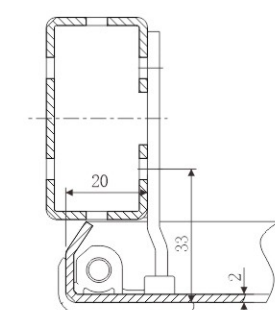
前门铰链门板开孔示意图  
Front door hinge hole opening size

■ 大门明铰链 DJL3-9

Door Hinges DJL3-9



1.5mm厚门板开孔示意图  
Thickness 1.5MM door panel hole sizes



2mm厚门板开孔示意图  
Thickness 2MM door panel hole sizes

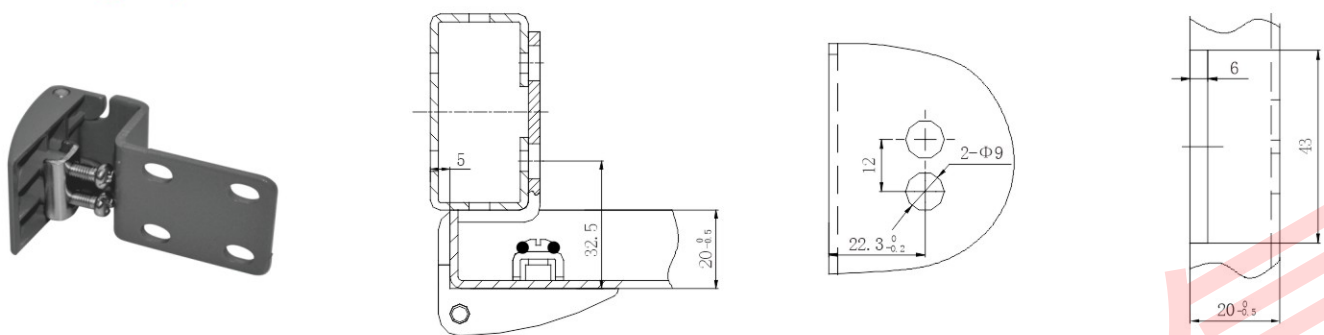
说明:

开门角度大于120度, 防护等级IP40

Note:

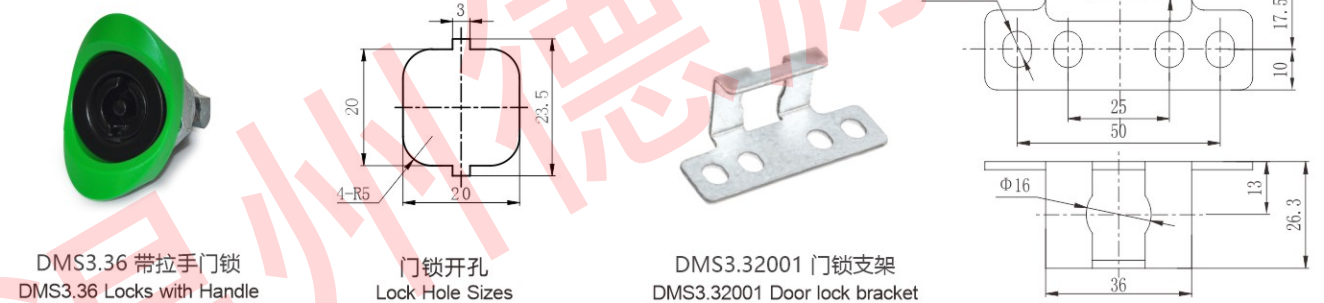
Door opening angle more than 120°, protection level IP40

■ 大门明铰链 D8PT535-5  
Door Hinges D8pt535-5



说明: 开门角度大于 180 度, 防护等级 Ip40  
Description: Door opening angle more than 180°, protection level Ip40

■ 大门门锁  
The door lock

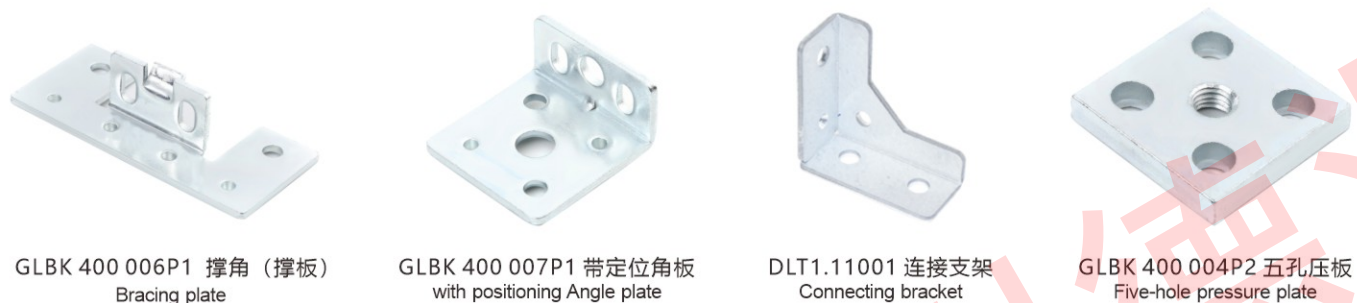


DMS3.36 带拉手门锁  
DMS3.36 Locks with Handle

门锁开孔  
Lock Hole Sizes

DMS3.32001 门锁支架  
DMS3.32001 Door lock bracket

■ 连接件  
Fittings



GLBK 400 006P1 撑角 (撑板)  
Bracing plate

GLBK 400 007P1 带定位角板  
with positioning Angle plate

DLT1.11001 连接支架  
Connecting bracket

GLBK 400 004P2 五孔压板  
Five-hole pressure plate

温州德源电气有限公司